
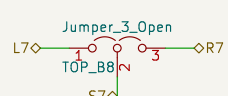
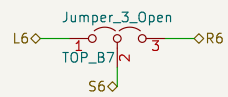
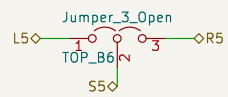
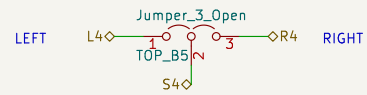
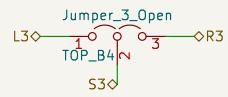
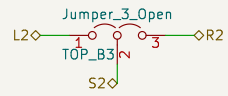
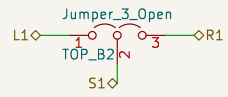
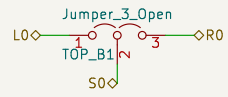


ROM board		
Esperanza Triana patreon.com/jotego		
JOTEGO		
Sheet: /ROM board/ File: romboard.kicad_sch		
Title: SEGA System 18 MODEL 837-7178		
Size: A4	Date: 2022-03-18	Rev: José Tejada
KiCad E.D.A. kicad-cli 7.0.10-7.0.10-ubuntu20.04.1		Id: 2/26

TOP
(POSITION BETWEEN MAIN_A3-4)



BOTTOM

Esperanza Triana
patreon.com/jotego



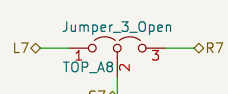
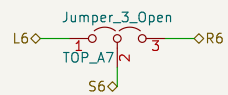
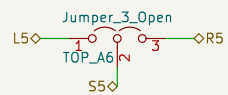
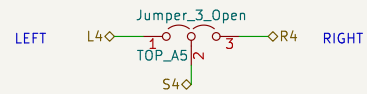
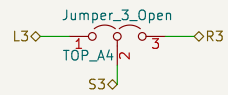
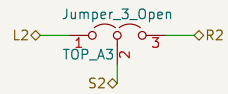
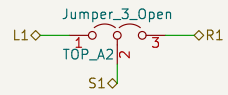
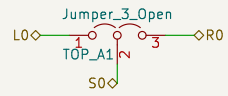
Sheet: /ROM board/scrjumpers/
File: romjp.kicad_sch

Title: SEGA System 18 MODEL 837-7178

Size: A4 Date: 2022-03-18
KiCad E.D.A. kicad-cli 7.0.10-7.0.10-ubuntu20.04.1

Rev: José Tejada
Id: 3/26

TOP
(POSITION BETWEEN MAIN_A3-4)



BOTTOM

Esperanza Triana
patreon.com/jotego



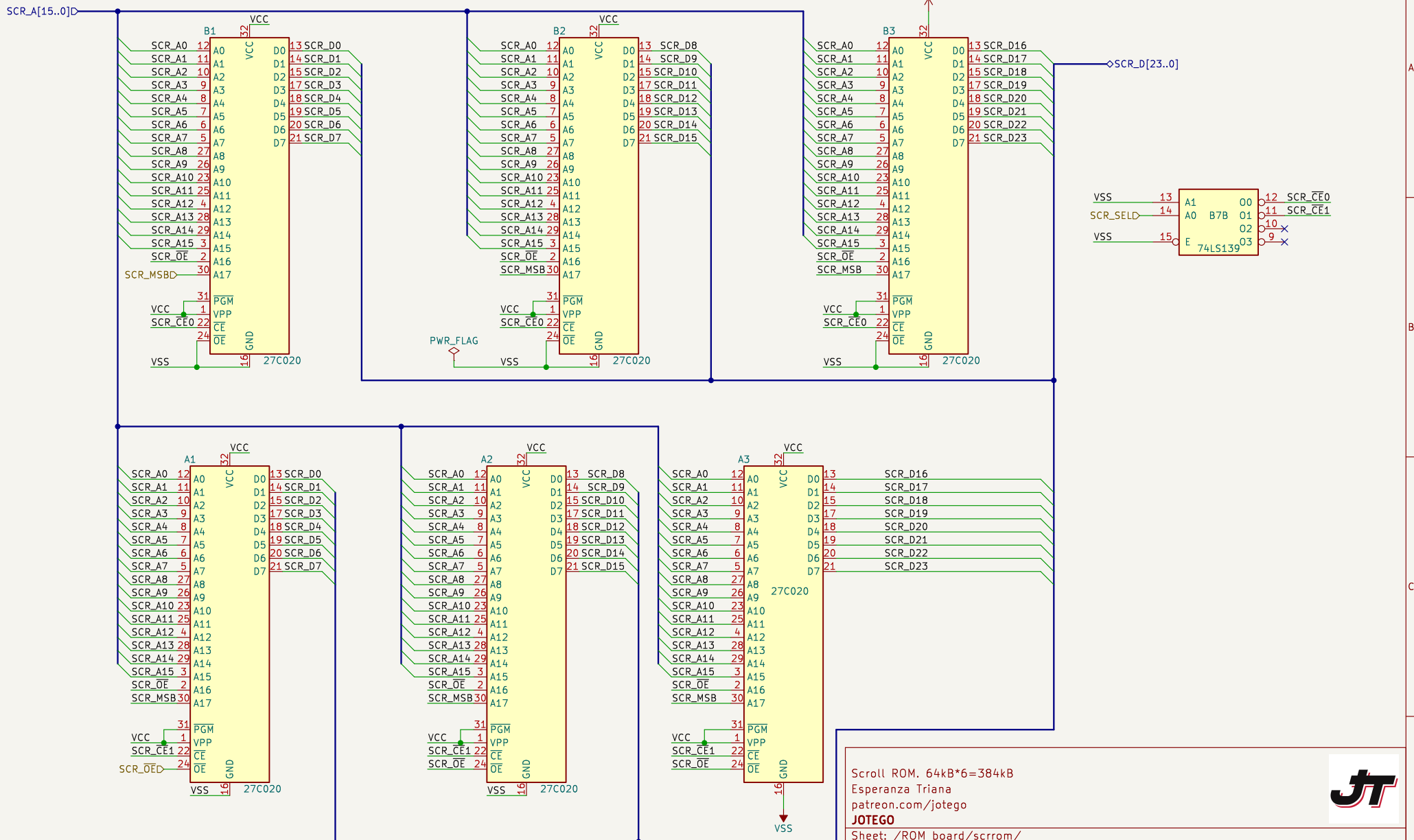
Sheet: /ROM board/sndjumpers/
File: romjp.kicad_sch

Title: SEGA System 18 MODEL 837-7178

Size: A4 Date: 2022-03-18
KiCad E.D.A. kicad-cli 7.0.10-7.0.10-ubuntu20.04.1

Rev: José Tejada
Id: 4/26

SCROLL ROM



Scroll ROM. 64kB*6=384kB

Esperanza Triana
patreon.com/jotego

JOTEGO

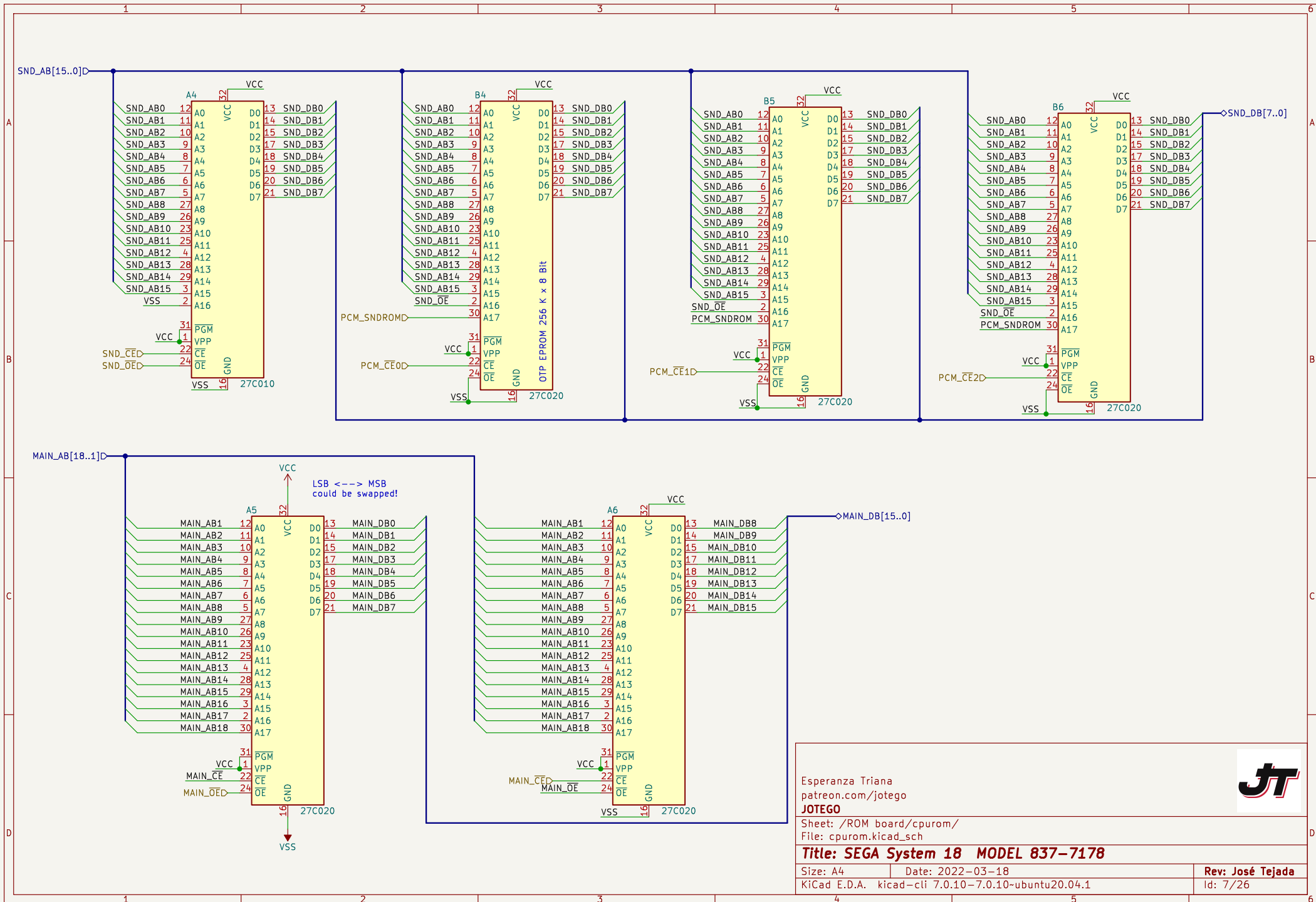
Sheet: /ROM board/scrrom/
File: scrrom.kicad_sch

Title: SEGA System 18 MODEL 837-7178

Size: A4 Date: 2022-03-18
KiCad E.D.A. kicad-cli 7.0.10-7.0.10-ubuntu20.04.1

Rev: José Tejada
Id: 6/26





Esperanza Triana
 patreon.com/jotego
JOTEGO



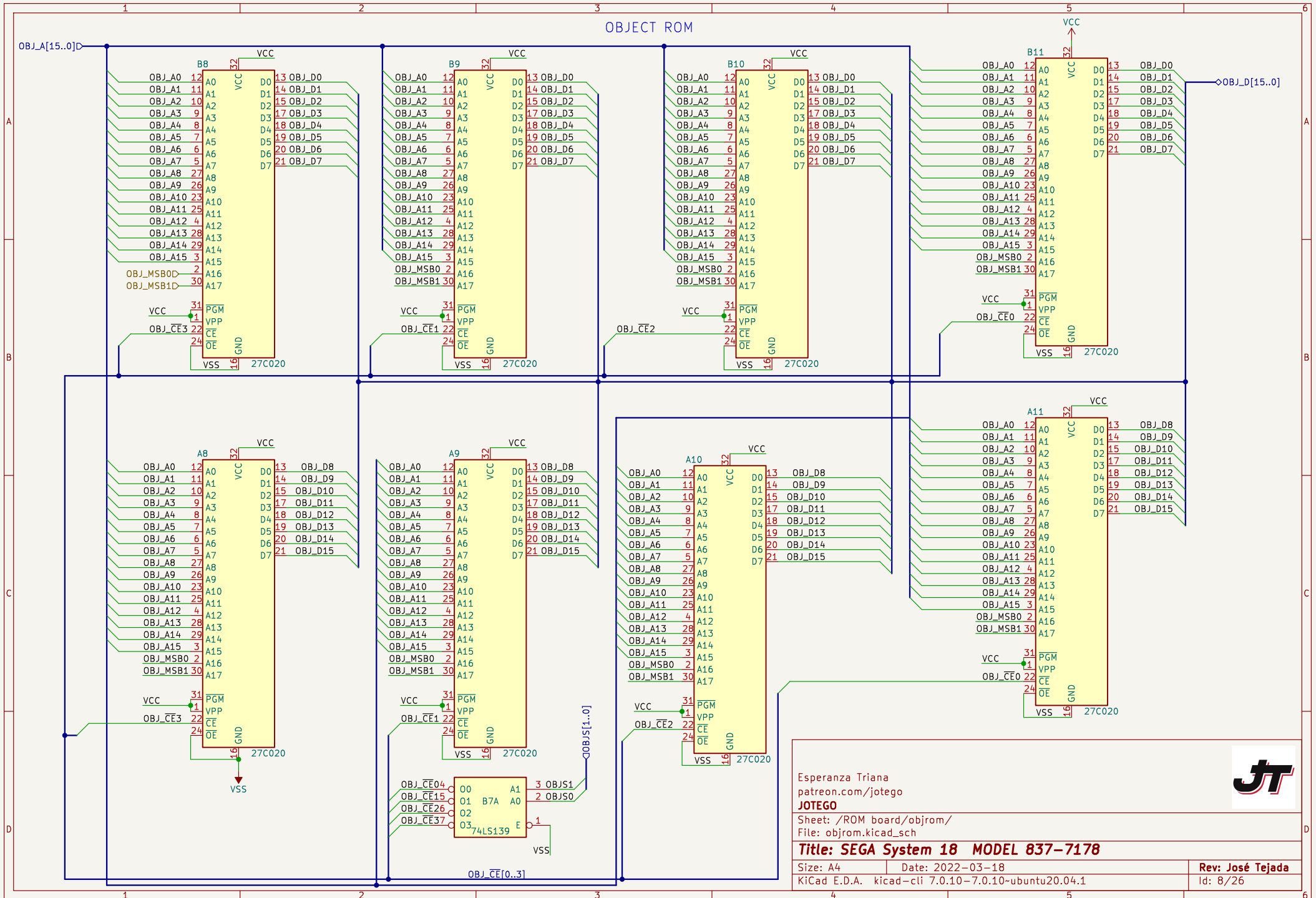
Sheet: /ROM board/cpurom/
 File: cpurom.kicad_sch

Title: SEGA System 18 MODEL 837-7178

Size: A4 Date: 2022-03-18
 KiCad E.D.A. kicad-cli 7.0.10-7.0.10-ubuntu20.04.1

Rev: José Tejada
 Id: 7/26

OBJECT ROM

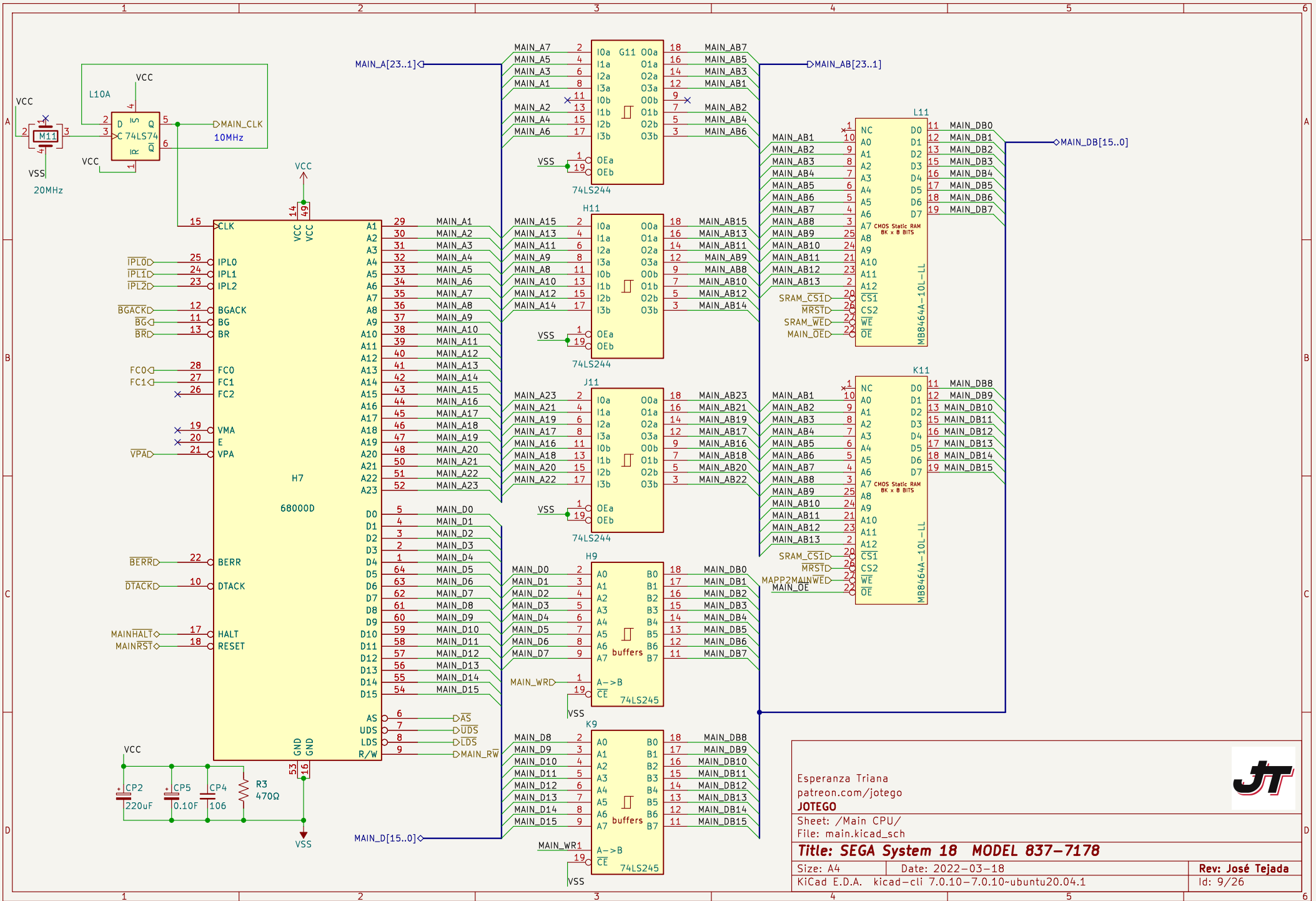


Esperanza Triana
 patreon.com/jotego
JOTEGO
 Sheet: /ROM board/objrom/
 File: objrom.kicad_sch

Title: SEGA System 18 MODEL 837-7178

Size: A4	Date: 2022-03-18	Rev: José Tejada
KiCad E.D.A. kicad-cli 7.0.10-7.0.10-ubuntu20.04.1		Id: 8/26





Esperanza Triana
 patreon.com/jotego
JOTEGO

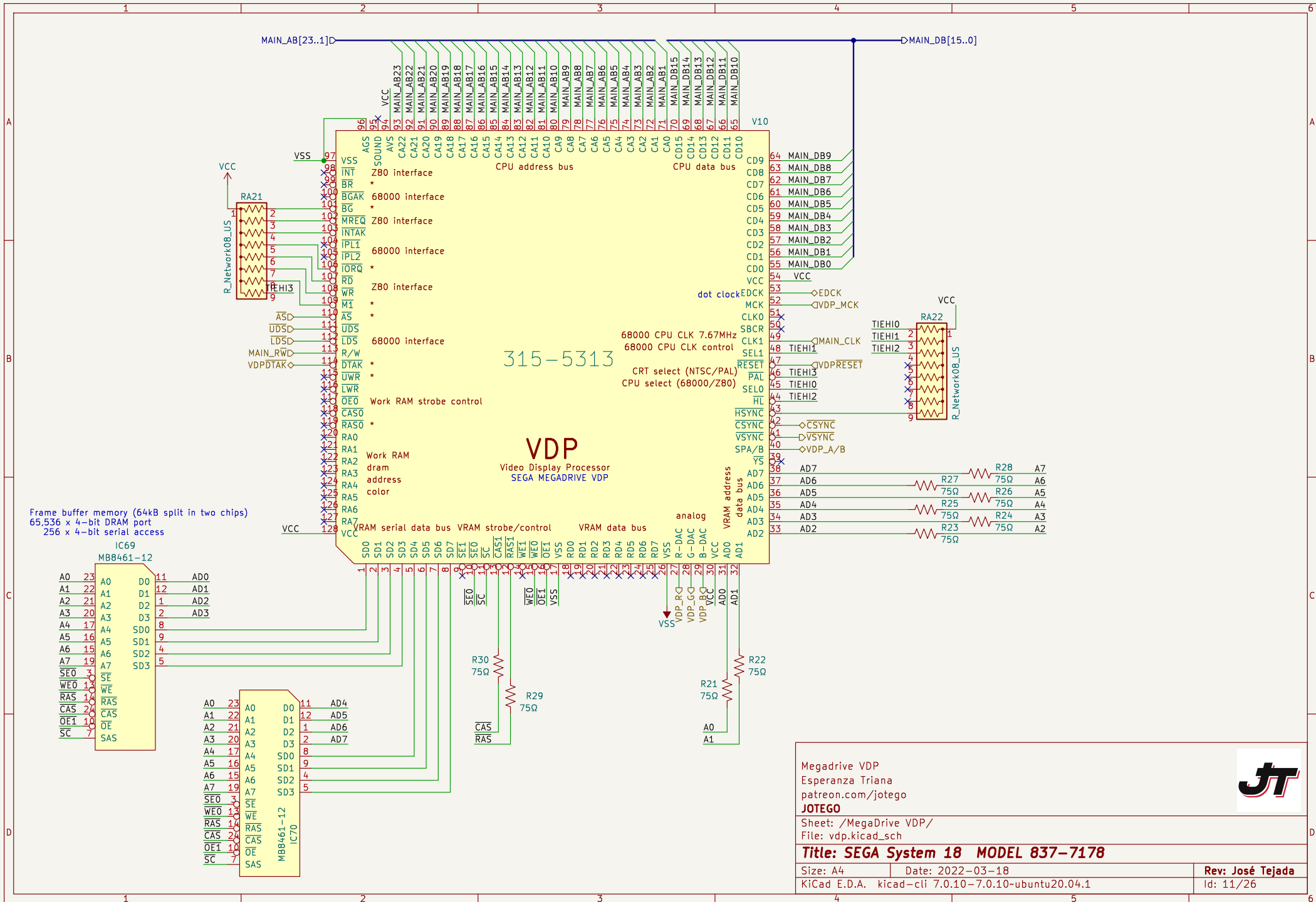


Sheet: /Main CPU/
 File: main.kicad_sch

Title: SEGA System 18 MODEL 837-7178

Size: A4 Date: 2022-03-18
 KiCad E.D.A. kicad-cli 7.0.10-7.0.10-ubuntu20.04.1

Rev: José Tejada
 Id: 9/26



Megadrive VDP
Esperanza Triana
patreon.com/jotego
JOTEGO



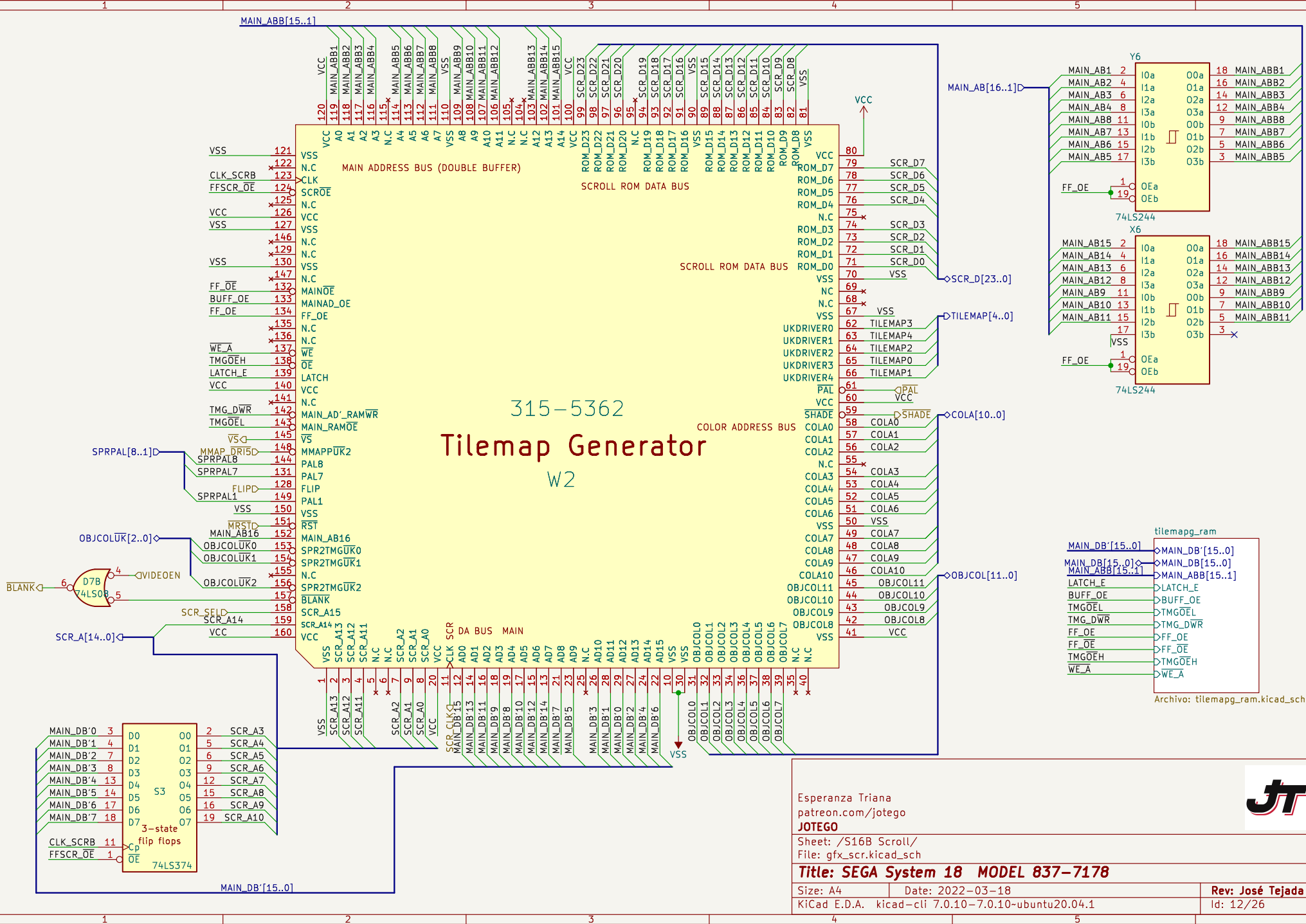
Sheet: /MegaDrive VDP/
File: vdp.kicad_sch

Title: SEGA System 18 MODEL 837-7178

Size: A4 Date: 2022-03-18
KiCad E.D.A. kicad-cli 7.0.10-7.0.10-ubuntu20.04.1

Rev: José Tejada
Id: 11/26

315-5362 Tilemap Generator W2



tilemapg_ram

MAIN_DB[15..0]	MAIN_DB[15..0]
MAIN_DB[15..0]	MAIN_DB[15..0]
MAIN_ABB[15..1]	MAIN_ABB[15..1]
LATCH_E	LATCH_E
BUFF_OE	BUFF_OE
TMGOEL	TMGOEL
TMG_DWR	TMG_DWR
FF_OE	FF_OE
FF_OE	FF_OE
TMGOEH	TMGOEH
WE_A	WE_A

Archivo: tilemapg_ram.kicad_sch

Esperanza Triana
patreon.com/jotego

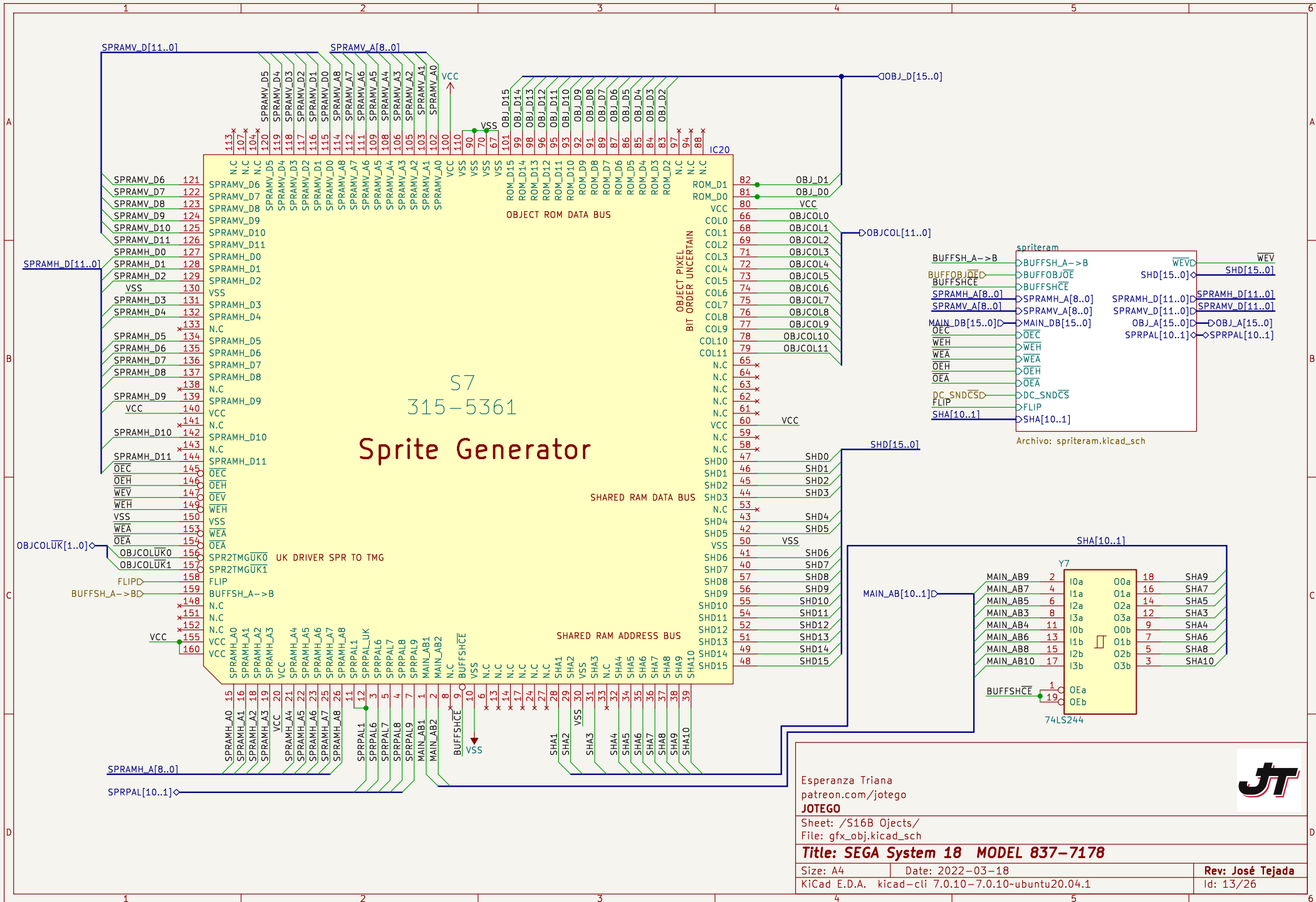
JOTEGO

Sheet: /S16B Scroll/
File: gfx_scr.kicad_sch

Title: SEGA System 18 MODEL 837-7178

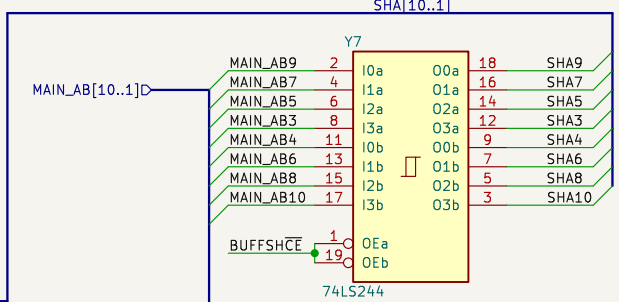
Size: A4	Date: 2022-03-18	Rev: José Tejada
KiCad E.D.A.	kicad-cli 7.0.10-7.0.10-ubuntu20.04.1	Id: 12/26





S7
315-5361
Sprite Generator

Archivo: spriteram.kicad_sch



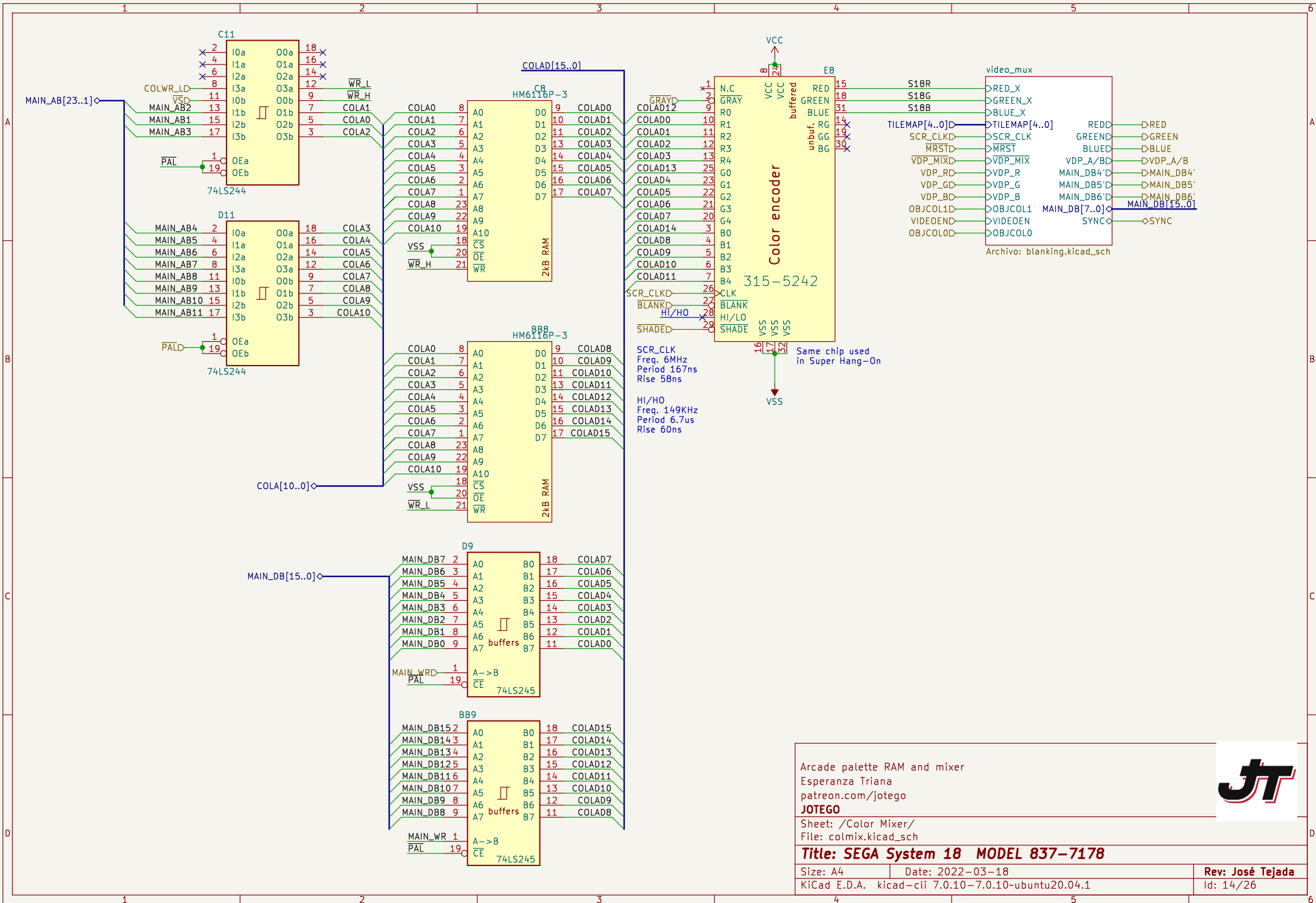
Esperanza Triana
patreon.com/jotego
JOTEGO
Sheet: /S16B Ojects/
File: gfx_obj.kicad_sch

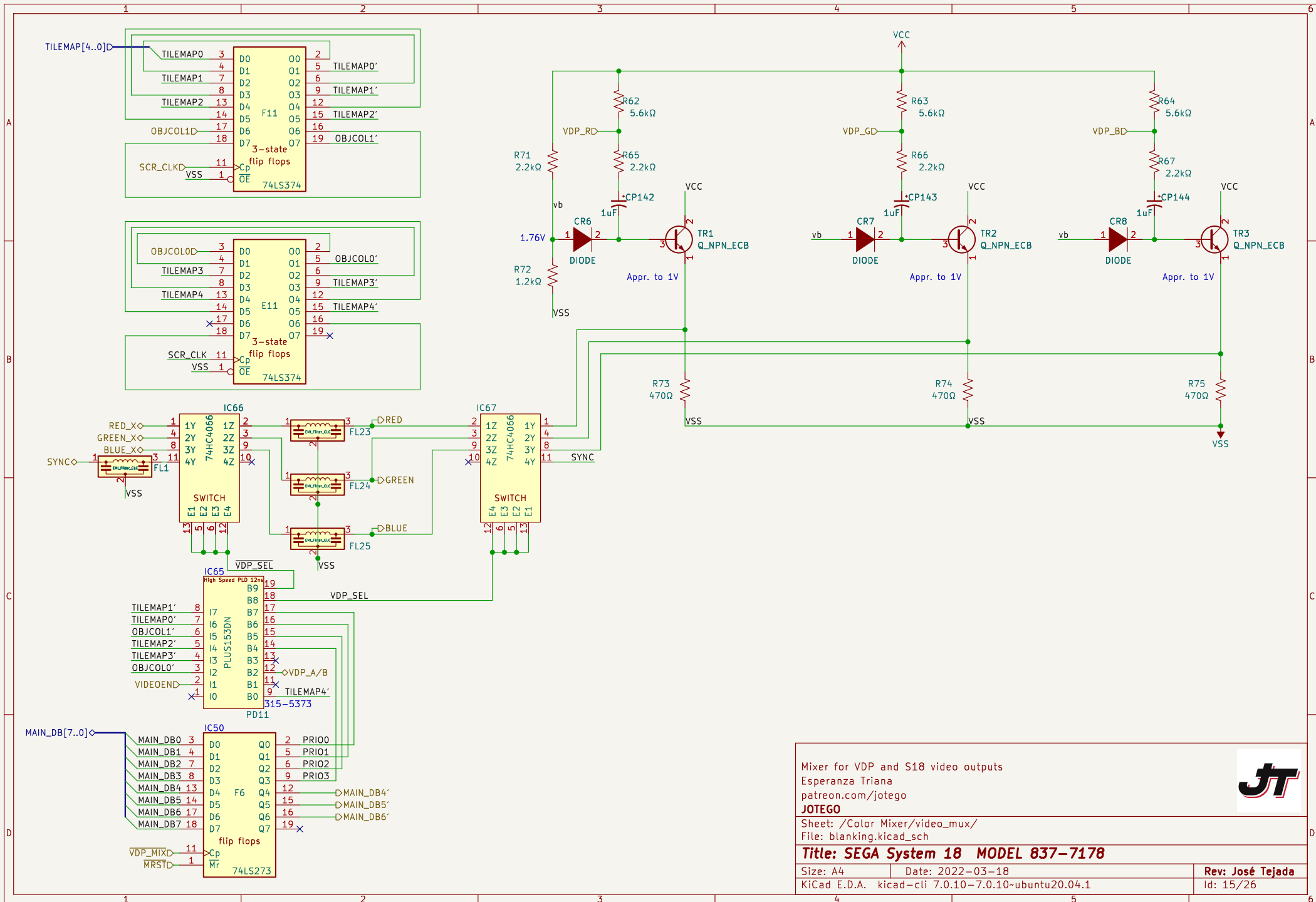


Title: SEGA System 18 MODEL 837-7178

Size: A4 Date: 2022-03-18
KiCad E.D.A. kicad-cli 7.0.10-7.0.10-ubuntu20.04.1

Rev: José Tejada
Id: 13/26





Mixer for VDP and S18 video outputs

Esperanza Triana

patreon.com/jotego

JOTEGO

Sheet: /Color Mixer/video_mux/

File: blanking.kicad_sch

Title: SEGA System 18 MODEL 837-7178

Size: A4

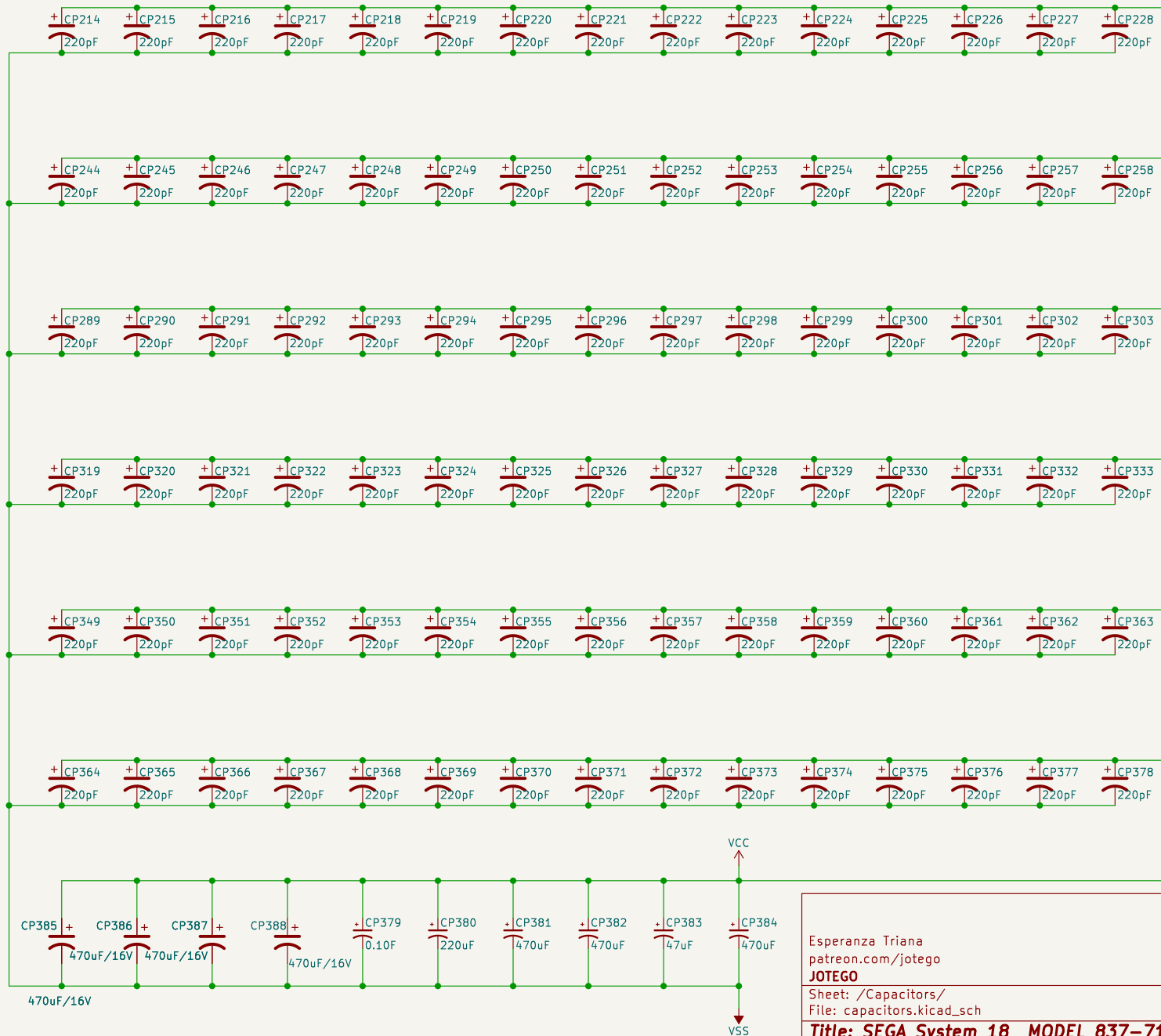
Date: 2022-03-18

KiCad E.D.A. kicad-cli 7.0.10-7.0.10-ubuntu20.04.1

Rev: José Tejada

Id: 15/26





Esperanza Triana
 patreon.com/jotego
JOTEGO

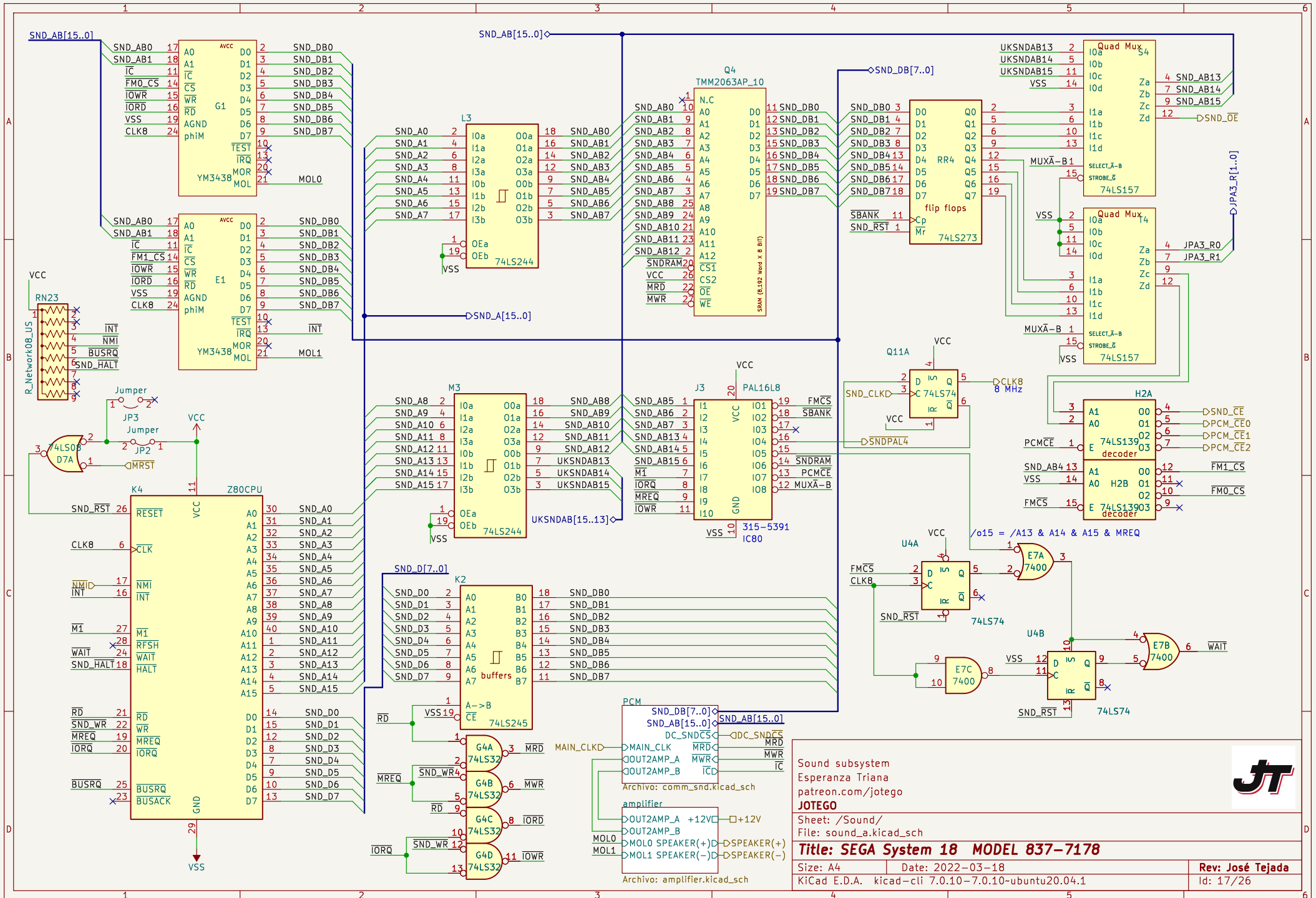


Sheet: /Capacitors/
 File: capacitors.kicad_sch

Title: SEGA System 18 MODEL 837-7178

Size: A4 | Date: 2022-03-18
 KiCad E.D.A. kicad-cli 7.0.10-7.0.10-ubuntu20.04.1

Rev: José Tejada
 Id: 16/26

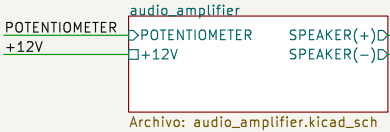
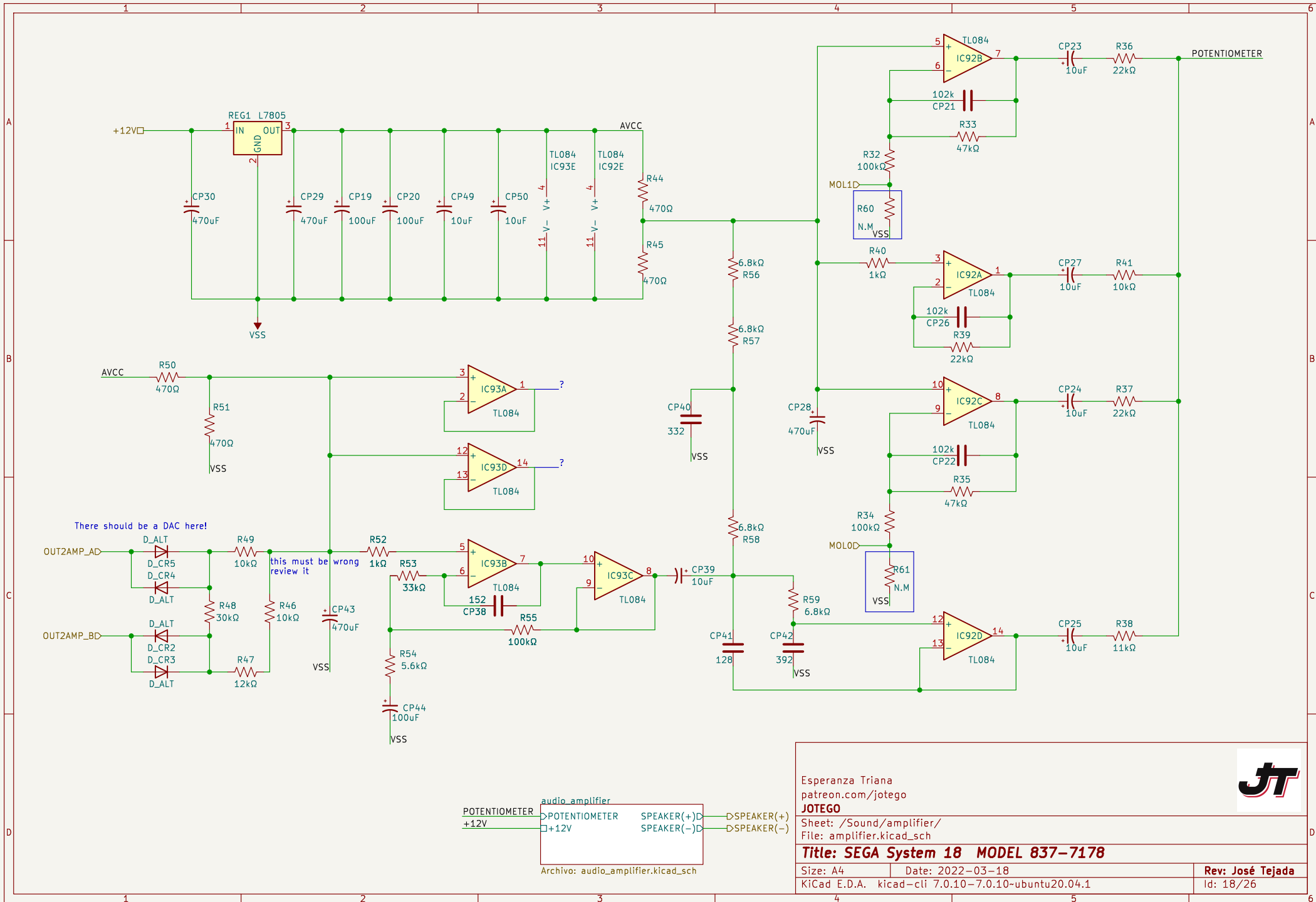


Sound subsystem
 Esperanza Triana
 patreon.com/jotego
JOTEGO
 Sheet: /Sound/
 File: sound_a.kicad_sch

Title: SEGA System 18 MODEL 837-7178

Size: A4	Date: 2022-03-18
KiCad E.D.A. kicad-cli 7.0.10-7.0.10-ubuntu20.04.1	Rev: José Tejada
	Id: 17/26





Esperanza Triana
patreon.com/jotego



JOTEGO

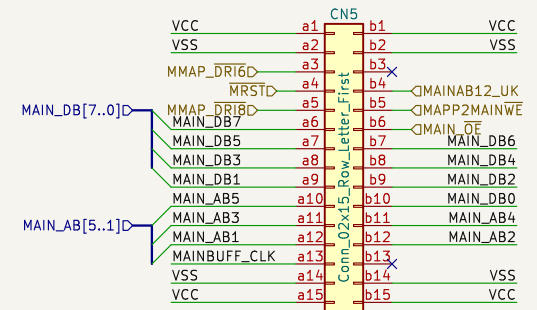
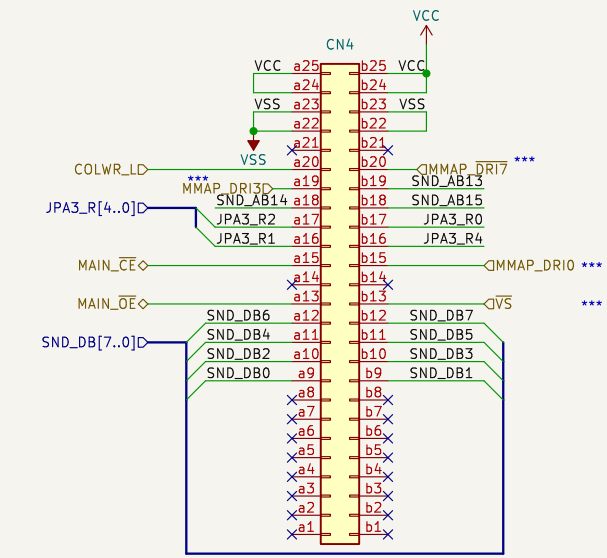
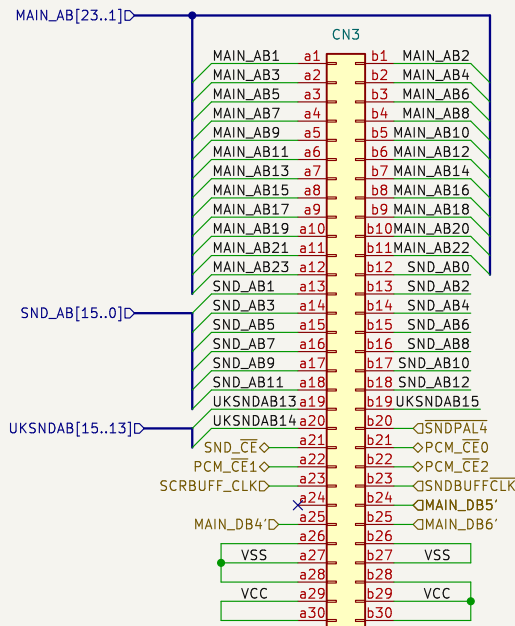
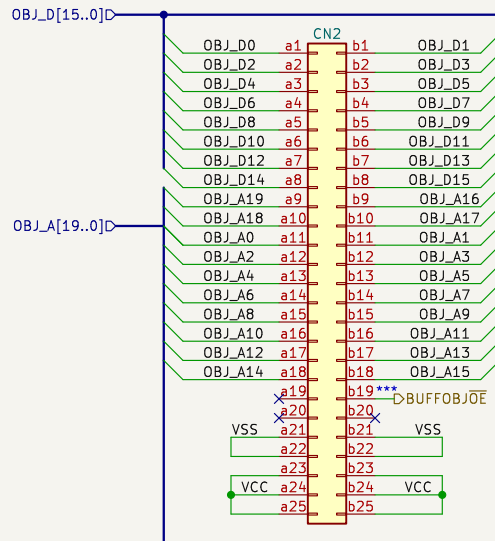
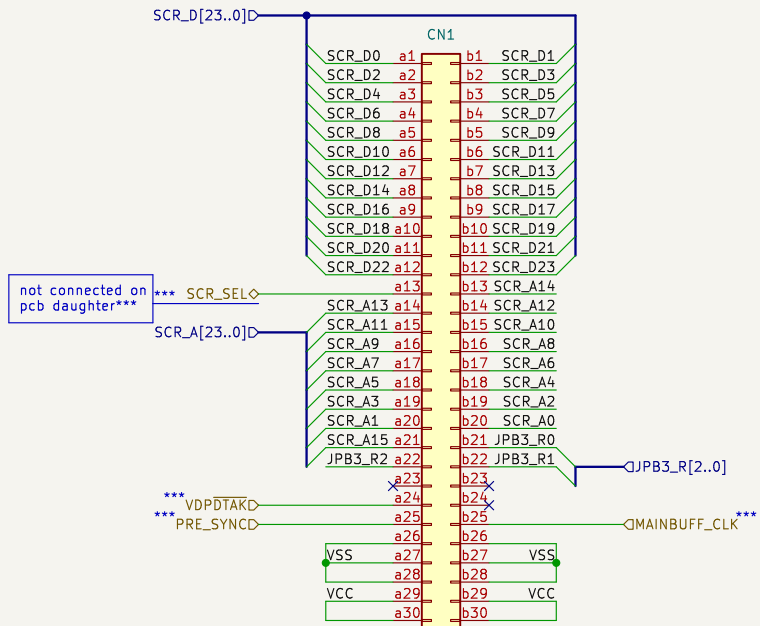
Sheet: /Sound/amplifier/
File: amplifier.kicad_sch

Title: SEGA System 18 MODEL 837-7178

Size: A4 Date: 2022-03-18
KiCad E.D.A. kicad-cli 7.0.10-7.0.10-ubuntu20.04.1

Rev: José Tejada
Id: 18/26

MOTHER AND DAUGHTER PCB CONNECTORS



Used as ADC inputs from gun in Laser Ghost on board: 837-7536 171-5993A

Esperanza Triana
patreon.com/jotego
JOTEGO



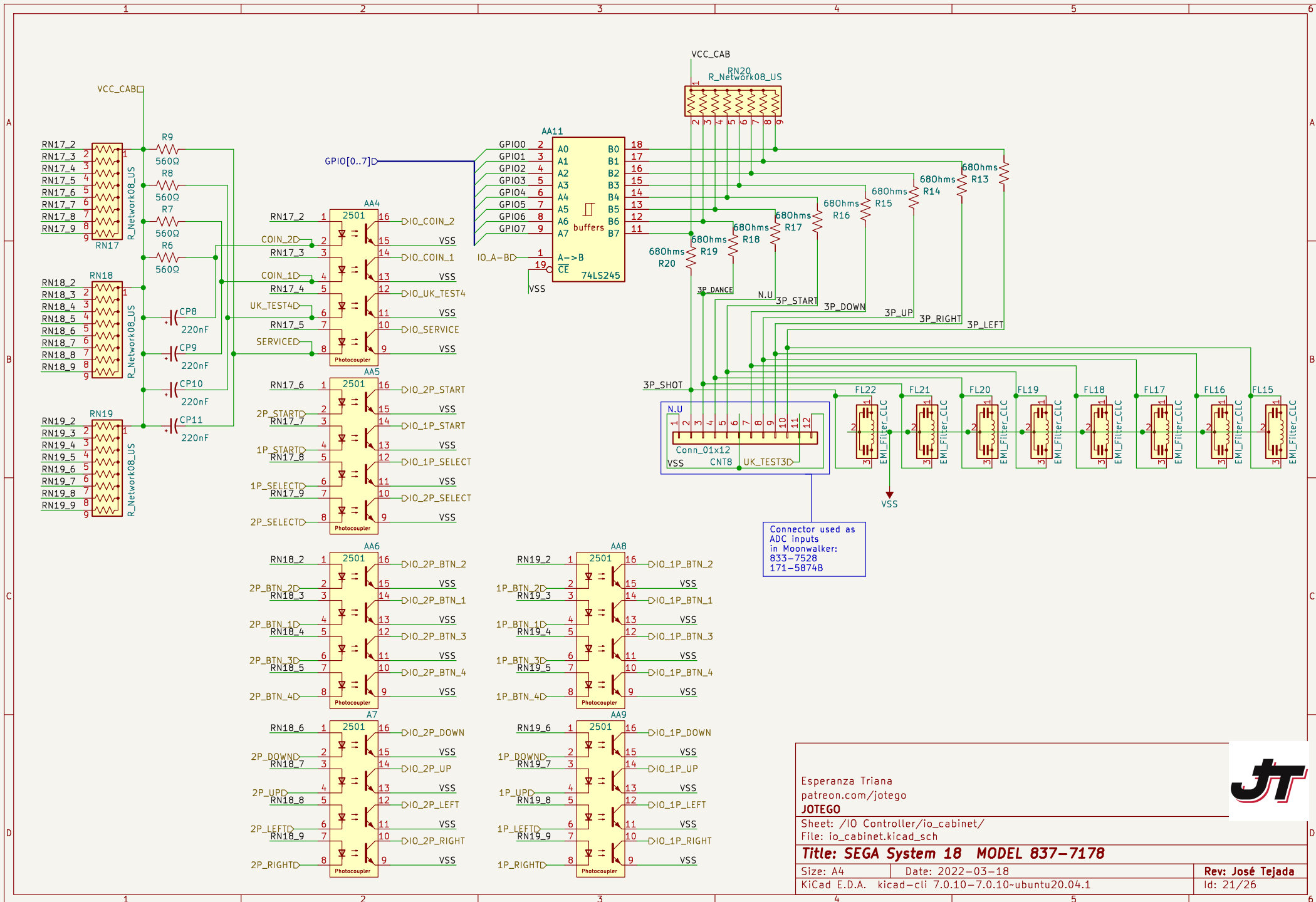
Sheet: /Connectors/
File: top_connectors.kicad_sch

Title: SEGA System 18 MODEL 837-7178

Size: A4 Date: 2022-03-18

KiCad E.D.A. kicad-cli 7.0.10-7.0.10-ubuntu20.04.1

Rev: José Tejada
Id: 19/26



Esperanza Triana
patreon.com/jotego
JOTEGO

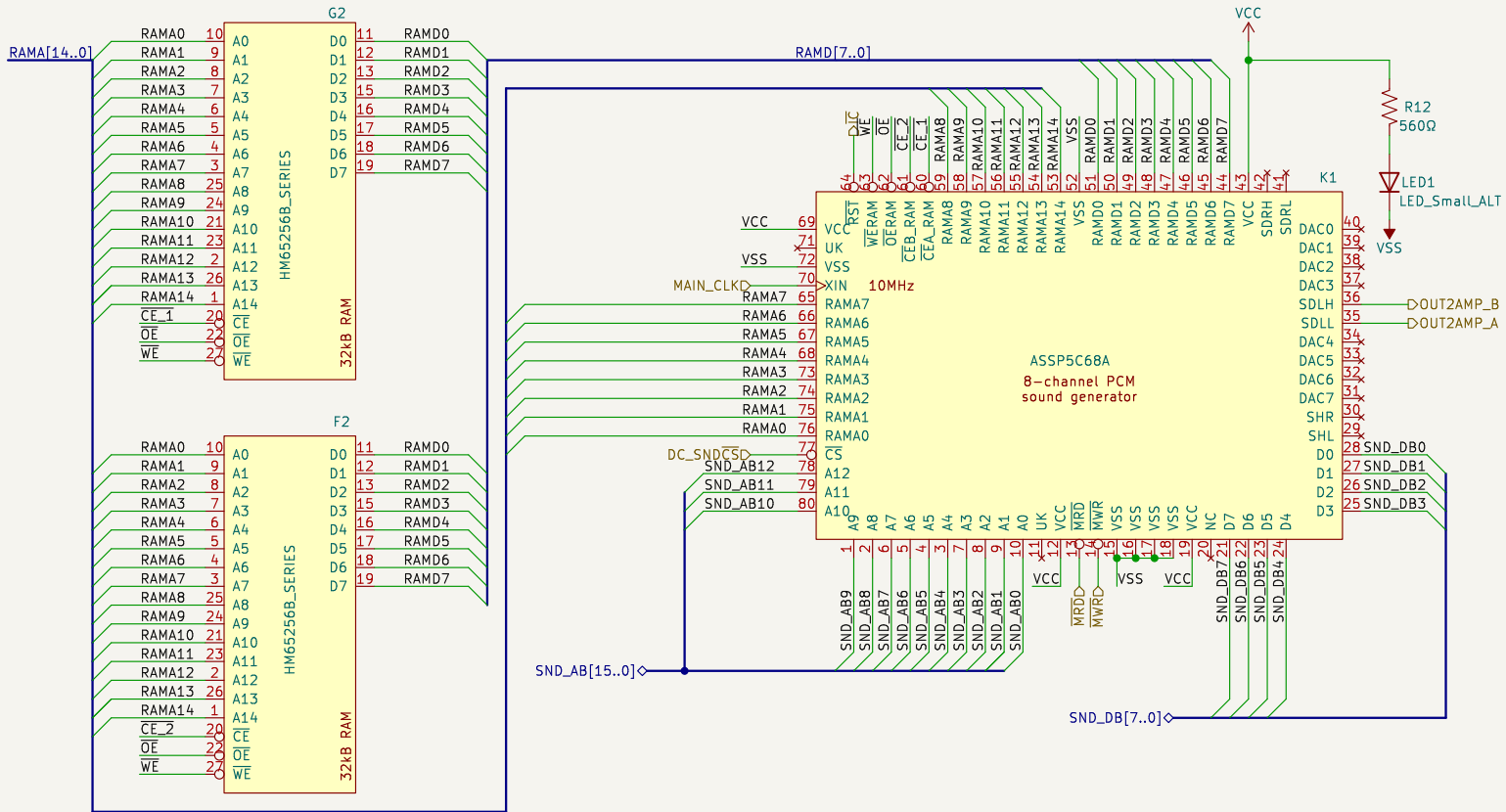


Sheet: /IO Controller/io_cabinet/
File: io_cabinet.kicad_sch

Title: SEGA System 18 MODEL 837-7178

Size: A4 Date: 2022-03-18
KiCad E.D.A. kicad-cli 7.0.10-7.0.10-ubuntu20.04.1

Rev: José Tejada
Id: 21/26



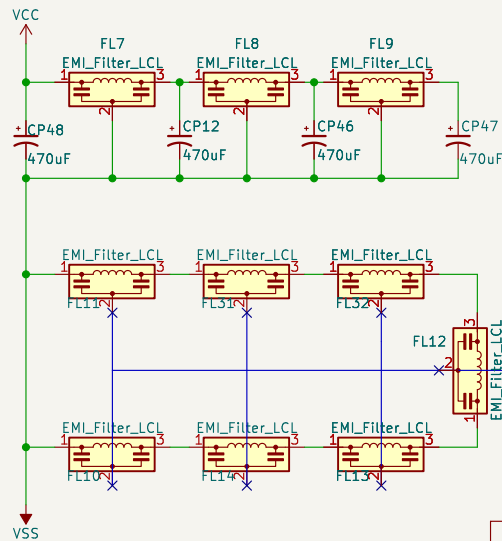
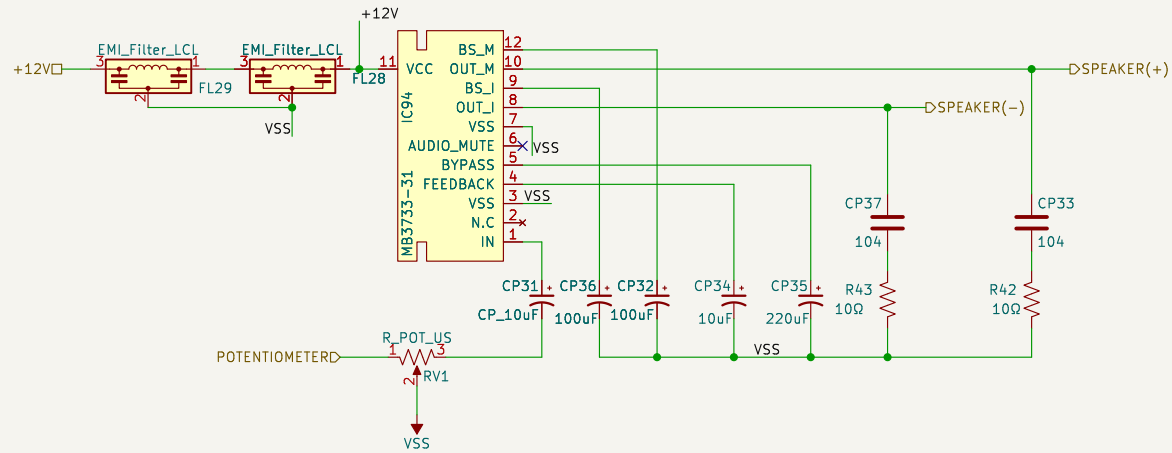
PCM sound generator
 Esperanza Triana
 patreon.com/jotego
JOTEGO
 Sheet: /Sound/PCM/
 File: comm_snd.kicad_sch



Title: SEGA System 18 MODEL 837-7178

Size: A4 Date: 2022-03-18
 KiCad E.D.A. kicad-cli 7.0.10-7.0.10-ubuntu20.04.1

Rev: José Tejada
 Id: 22/26



Leaded EMIFI
 Three-terminal Capacitor type
 DSS6NE52A222p
 2200pF 80/-20%
 100Vdc 6A -25 to +85°C


A kind of a track is observed between the two PCB layers, as if it were another layer, but there is no certainty about that. The track seems to be used to delimit or isolate the EMI (ElectroMagnetic Interference) filters.

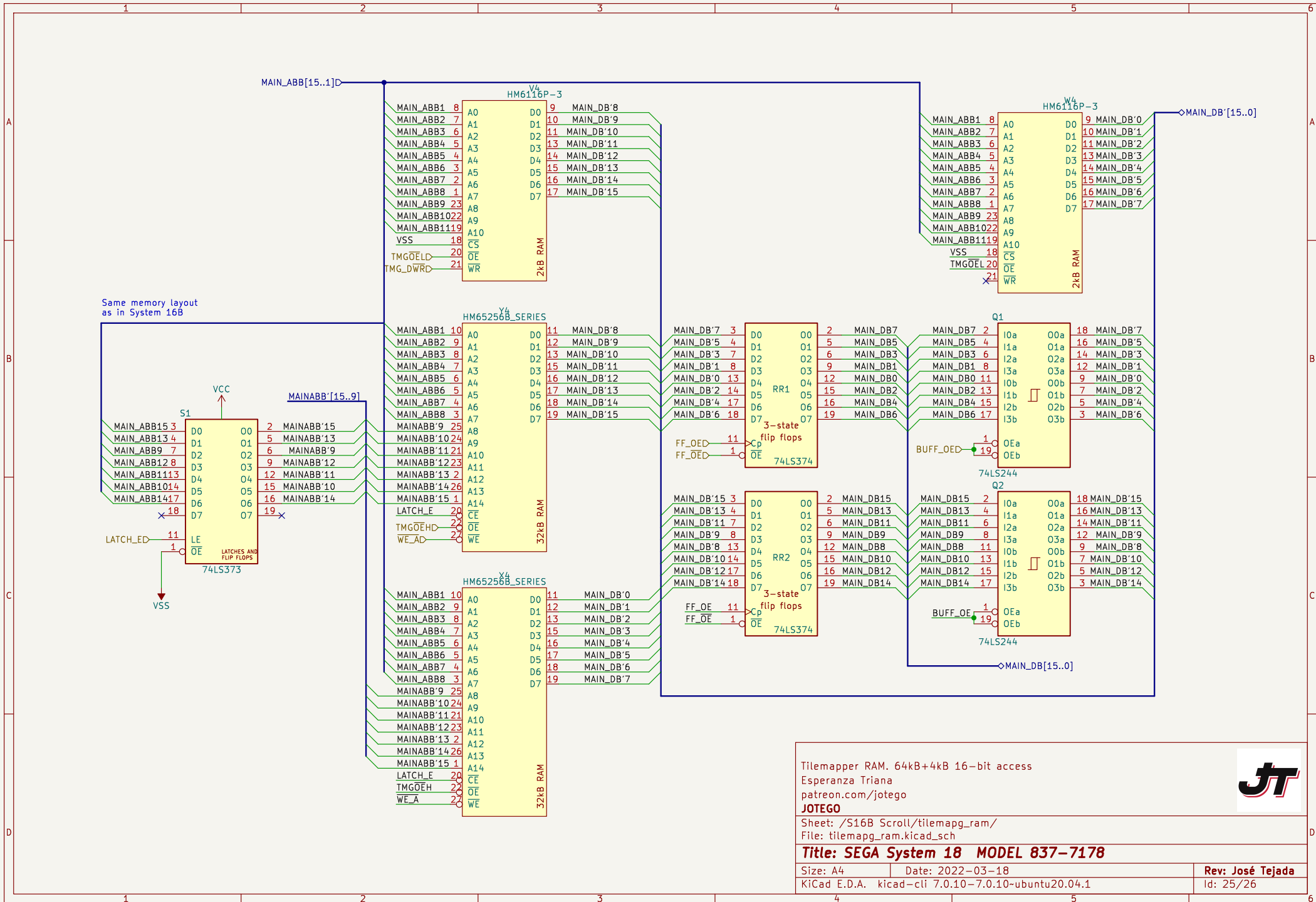
Esperanza Triana
 patreon.com/jotego
JOTEGO

Sheet: /Sound/amplifier/audio_amplifier/
 File: audio_amplifier.kicad_sch

Title: SEGA System 18 MODEL 837-7178

Size: A4	Date: 2022-03-18	Rev: José Tejada
KiCad E.D.A. kicad-cli 7.0.10-7.0.10-ubuntu20.04.1		Id: 23/26





Tilemapper RAM. 64kB+4kB 16-bit access

Esperanza Triana
patreon.com/jotego



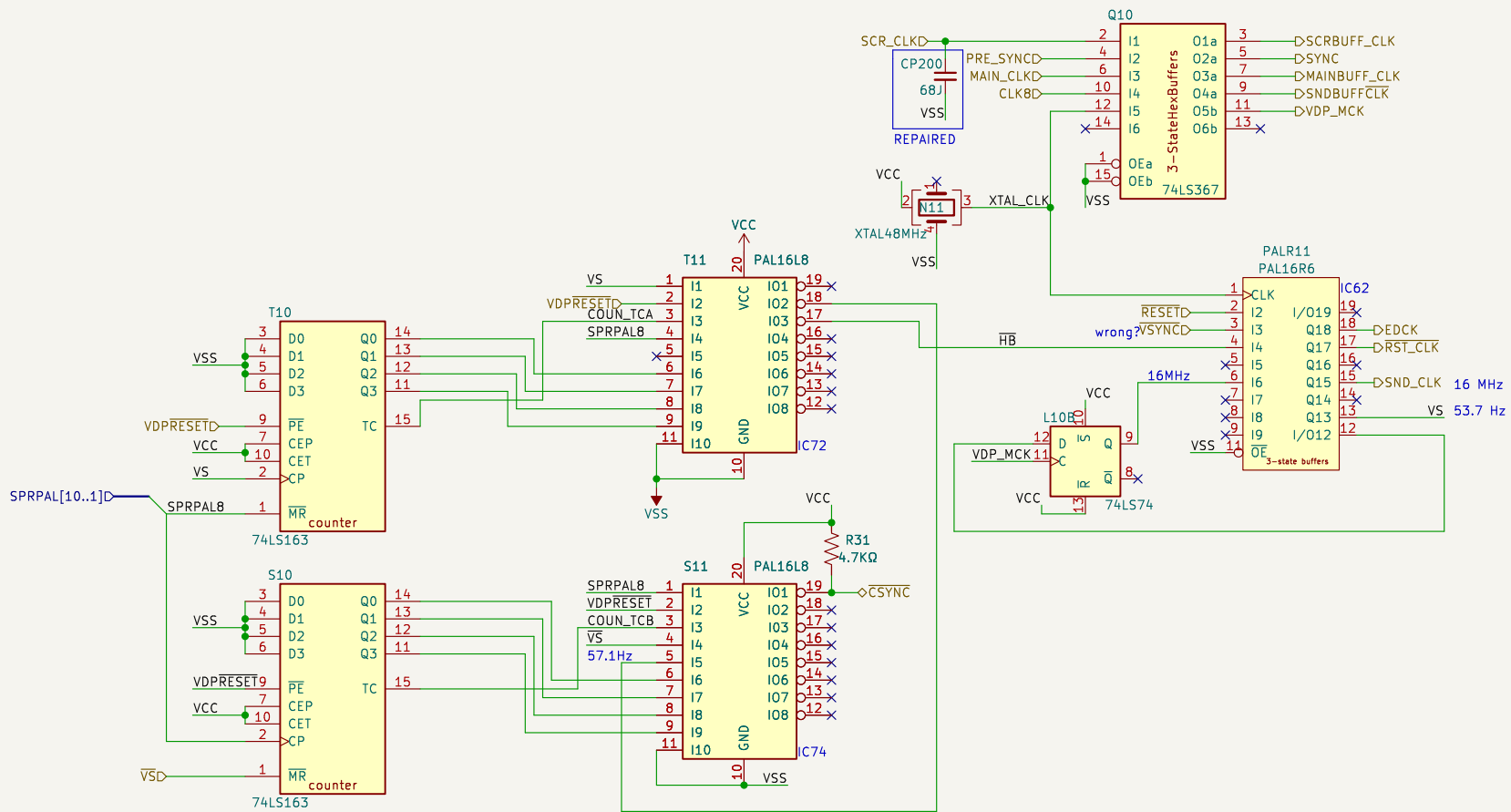
JOTEGO

Sheet: /S16B Scroll/tilemapg_ram/
File: tilemapg_ram.kicad_sch

Title: SEGA System 18 MODEL 837-7178

Size: A4 Date: 2022-03-18
KiCad E.D.A. kicad-cli 7.0.10-7.0.10-ubuntu20.04.1

Rev: José Tejada
Id: 25/26



Clock and signal buffers

Esperanza Triana
patreon.com/jotego

JOTEGO

Sheet: /Buffers/
File: buffers.kicad_sch

Title: SEGA System 18 MODEL 837-7178

Size: A4 Date: 2022-03-18
KiCad E.D.A. kicad-cli 7.0.10-7.0.10-ubuntu20.04.1

Rev: José Tejada
Id: 26/26

