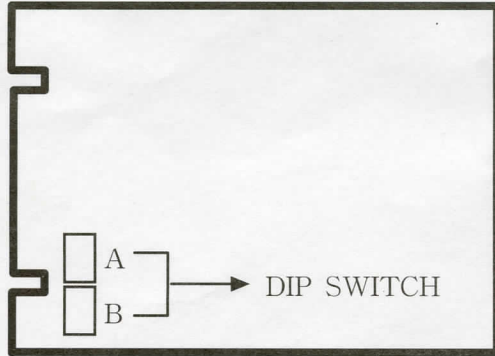


# The Legend of Silkroad

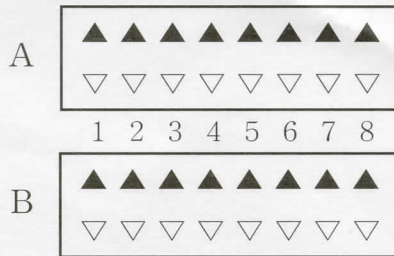
## CONNECTOR SPEC

Solder Side	Terminal		Parts Side
GND	A	1	GND
GND	B	2	GND
+5	C	3	+5
+5	D	4	+5
NC	E	5	NC
+12	F	6	+12
NC	G	7	NC
Coin Counter 2	H	8	Coin Counter 1
NC	I	9	NC
Speaker (L)	J	10	Speaker (R)
NC	K	11	NC
Video GREEN	L	12	Video RED
Video SYNC	M	13	Video BLUE
Service SW	N	14	GND
NC	O	15	Test SW
2P Coin Switch	P	16	1P Coin Switch
2P Start	Q	17	1P Start
2P Up	R	18	1P Up
2P Down	S	19	1P Down
2P Left	T	20	1P Left
2P Right	U	21	1P Right
2P Shot 1	V	22	1P Shot 1
2P Shot 2	W	23	1P Shot 2
2P Shot 3	X	24	1P Shot 3
NC	Y	25	NC
NC	Z	26	NC
GND	a	27	GND
GND	b	28	GND

### PCB BOARD



### SWITCH



## DIP SWITCH A

ITEM	DESCRIPTION	1	2	3	4	5	6	7	8
Player's Life	1	OFF							
	2	ON							
Special Effect	OFF		OFF						
	ON		ON						
Difficulty	1						OFF	OFF	ON
	2						ON	OFF	ON
	3						OFF	ON	ON
	4						ON	ON	ON
	5						OFF	OFF	OFF
	6						ON	OFF	OFF
	7						OFF	ON	OFF
	8						ON	ON	OFF

## DIP SWITCH B

ITEM	DESCRIPTION	1	2	3	4	5	6	7	8
Free Play	On		ON						
Demo Sound	On				ON				
Chute Type	Single					OFF			
	Multi					ON			
Coin -Credit	1 Coin 1 Credit						OFF	OFF	OFF
	1 Coin 2 Credit						ON	OFF	OFF
	1 Coin 3 Credit						OFF	ON	OFF
	1 Coin 4 Credit						ON	ON	OFF
	2 Coin 1 Credit						OFF	OFF	ON
	3 Coin 1 Credit						ON	OFF	ON
	4 Coin 1 Credit						OFF	ON	ON
	5 Coin 1 Credit						ON	ON	ON