

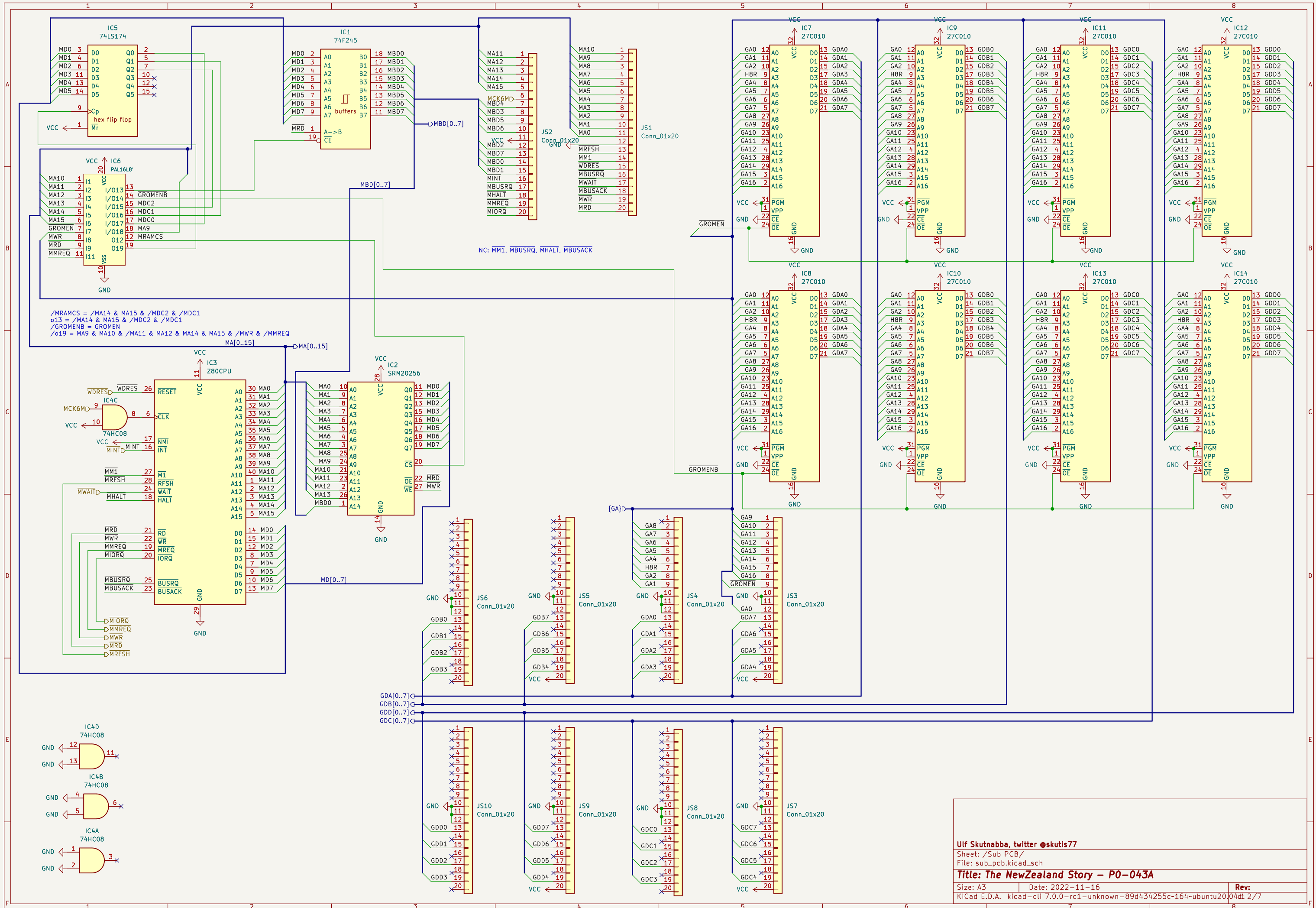
Note: The reference designator refers to the position on the PCB. If the reference designator already exists the letter is doubled. i.e. C1 -> CC1.

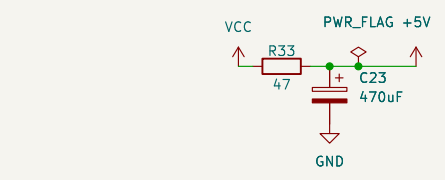
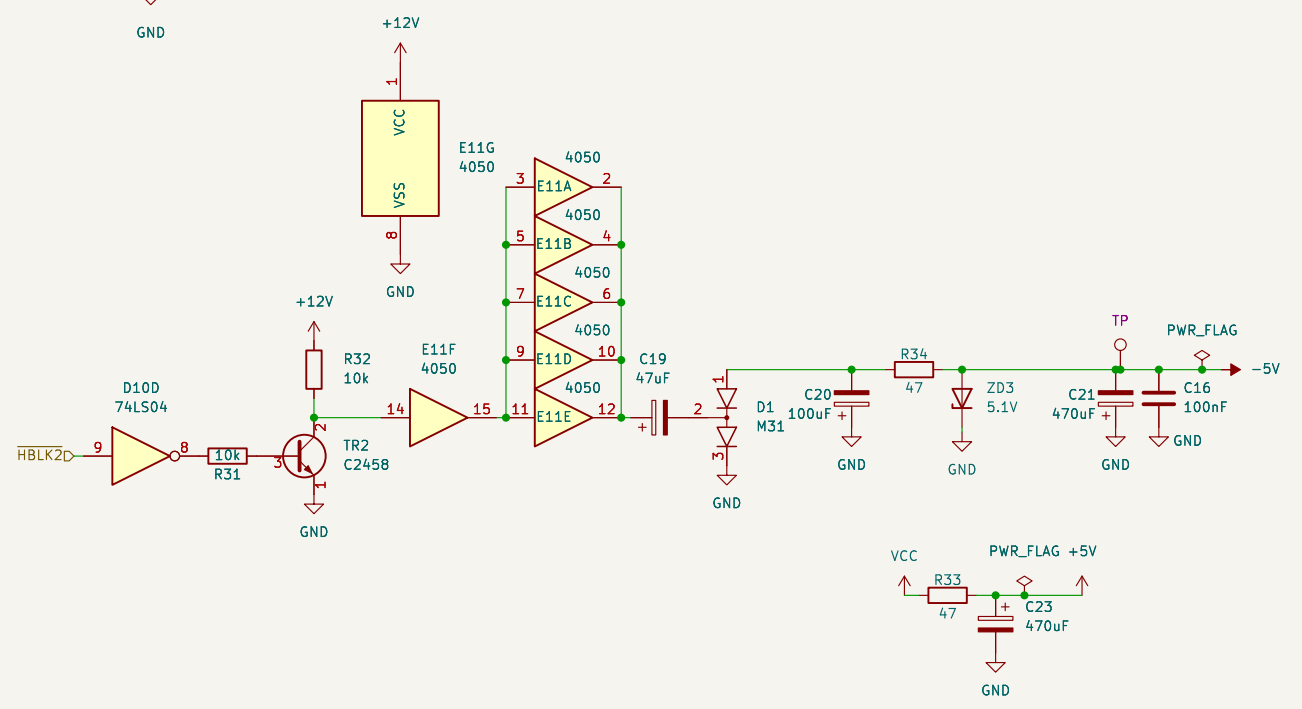
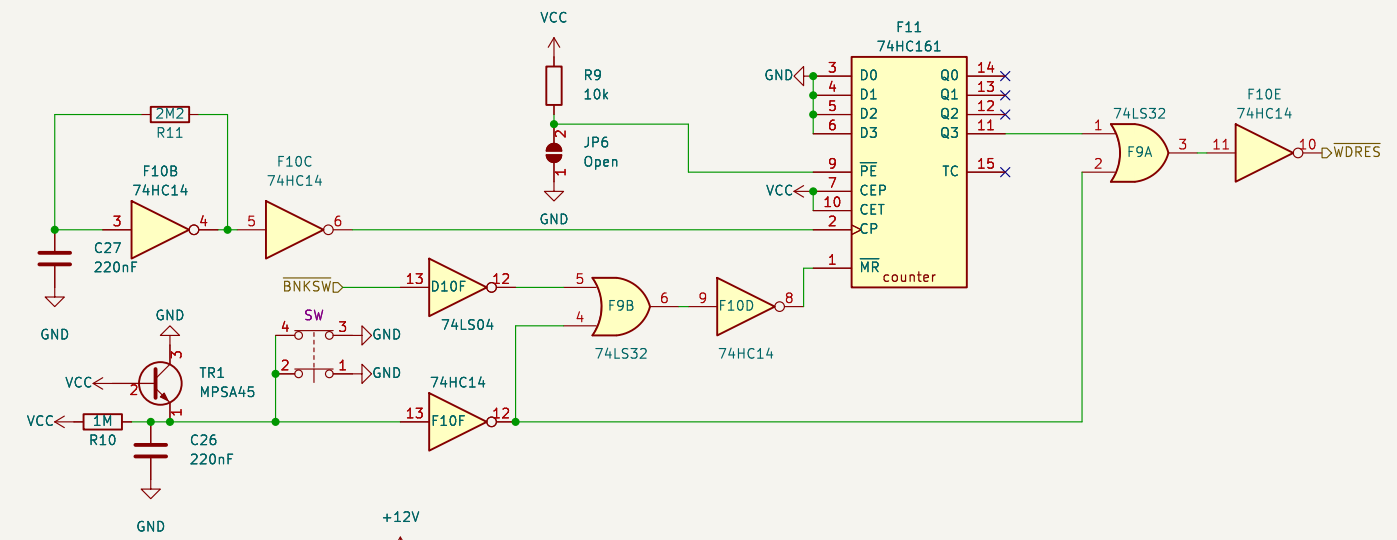
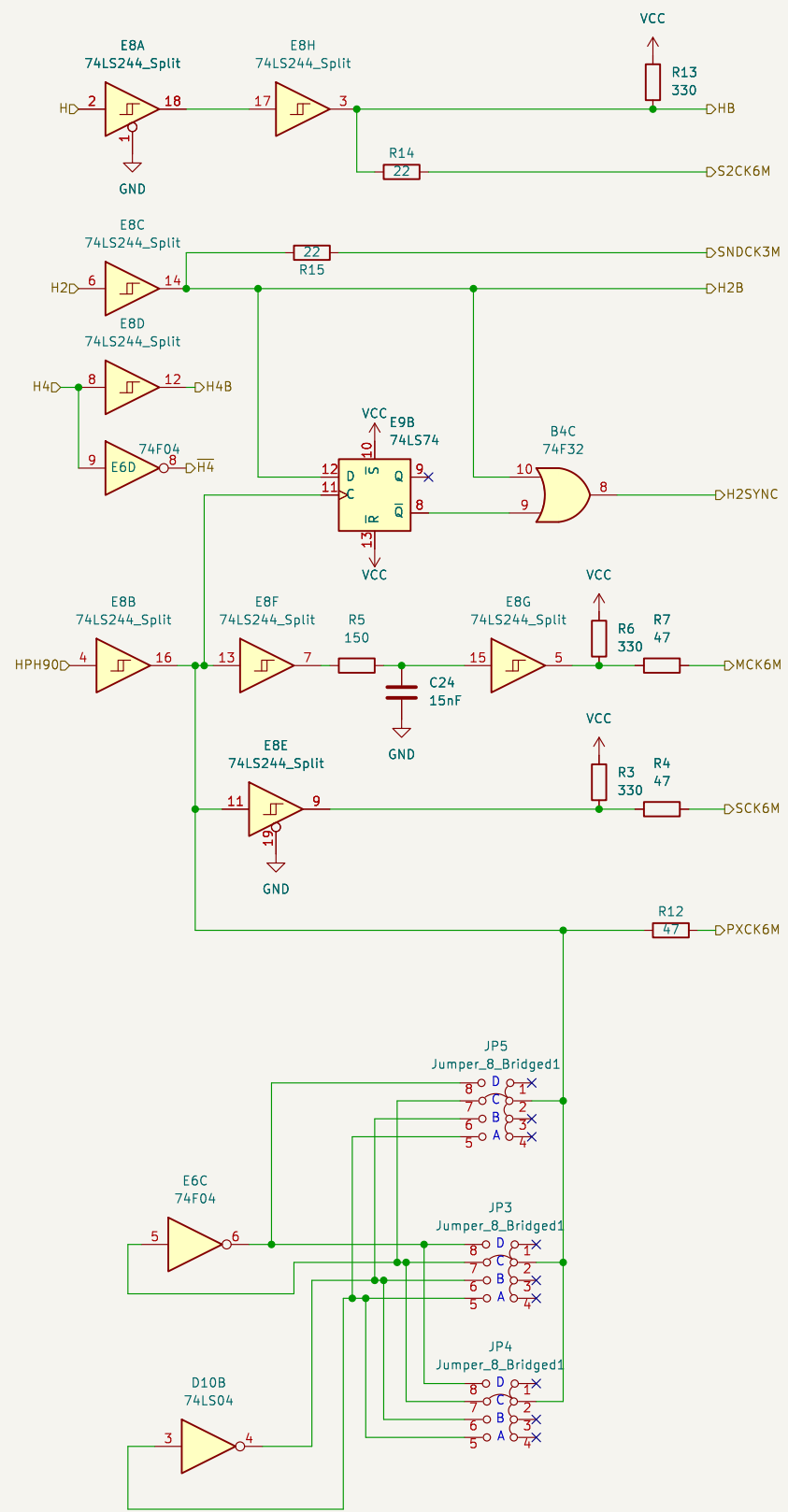
Ulf Skutnabba, twitter @skutis77

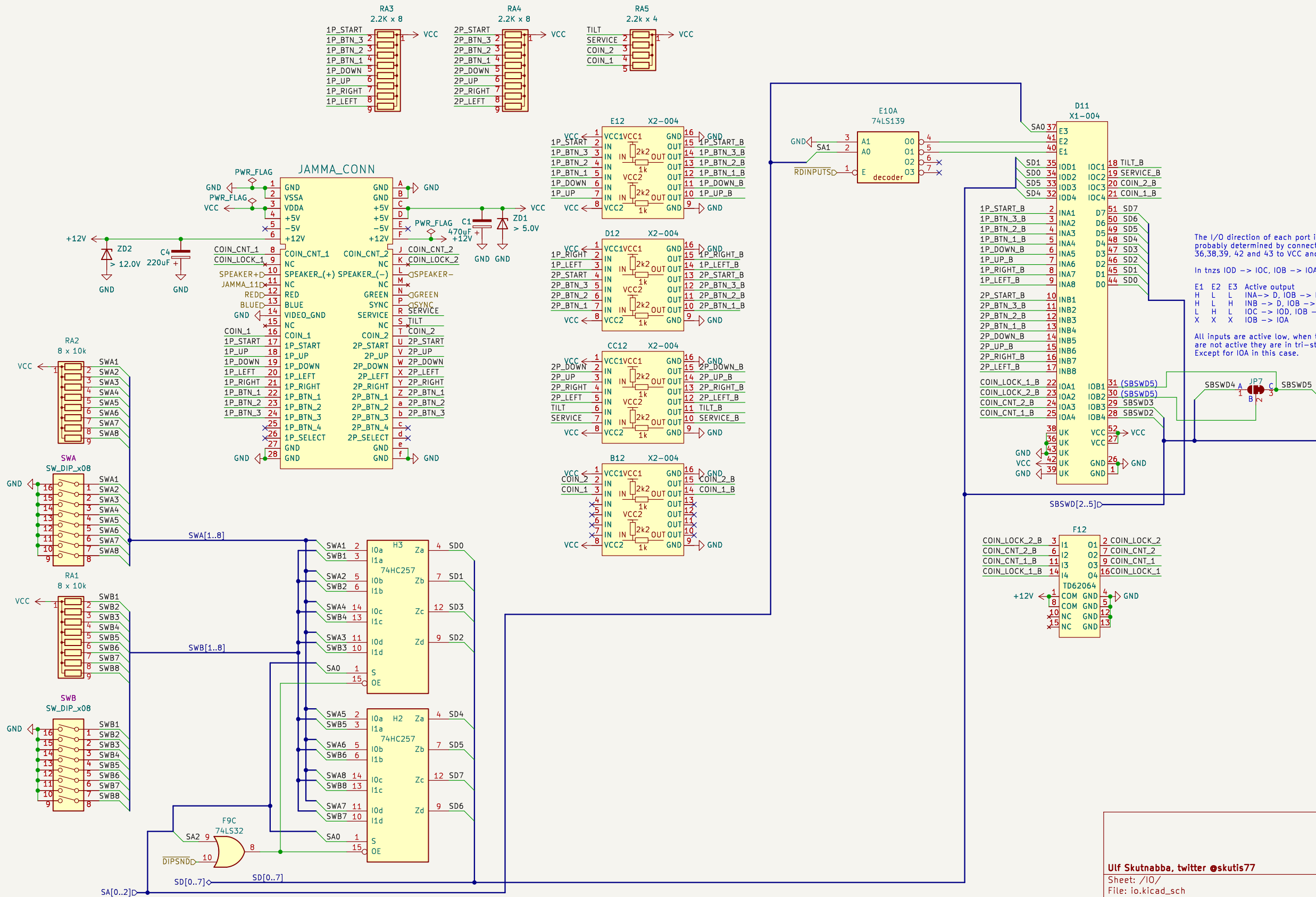
Sheet: /
File: tnzs.kicad_sch

Title: The NewZealand Story – P0-043A

Size: A3	Date: 2022-11-16	Rev:
KiCad E.D.A. kicad-cli 7.0.0-rc1-unknown-89d434255c-164-ubuntu20.04d1		1/7







The I/O direction of each port in X1-004 is probably determined by connecting the pins 36,38,39, 42 and 43 to VCC and GND accordingly.

In tnsz IOD -> IOC, IOB -> IOA

E1 E2 E3 Active output
 H L L INA -> D, IOB -> IOA
 H L H INB -> D, IOB -> IOA
 L H L IOC -> IOD, IOB -> IOA
 X X X IOB -> IOA

All inputs are active low, when the outputs are not active they are in tri-state state. Except for IOA in this case.

