

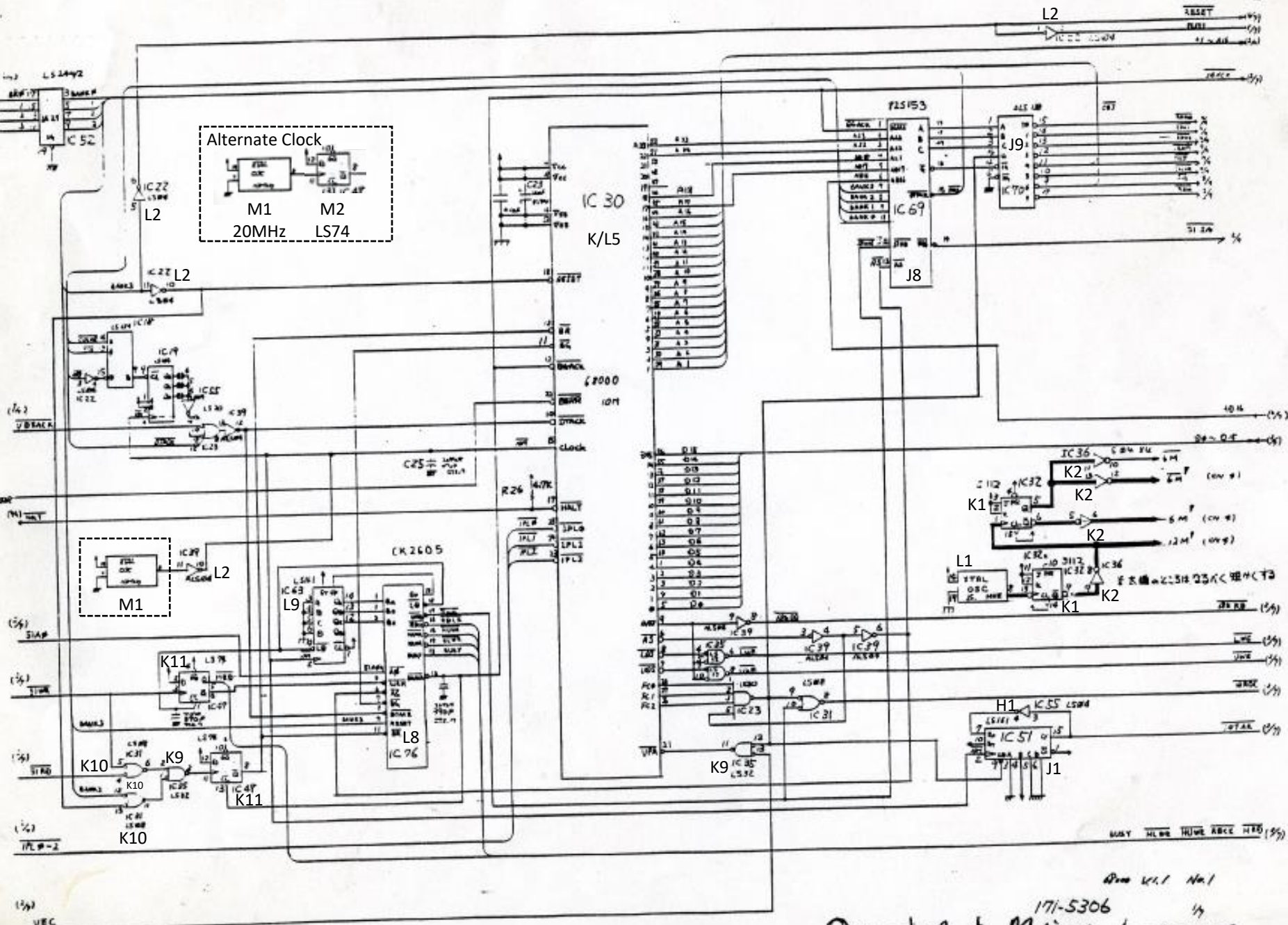
Sega Quartet and Quartet 2 Schematics System 16A

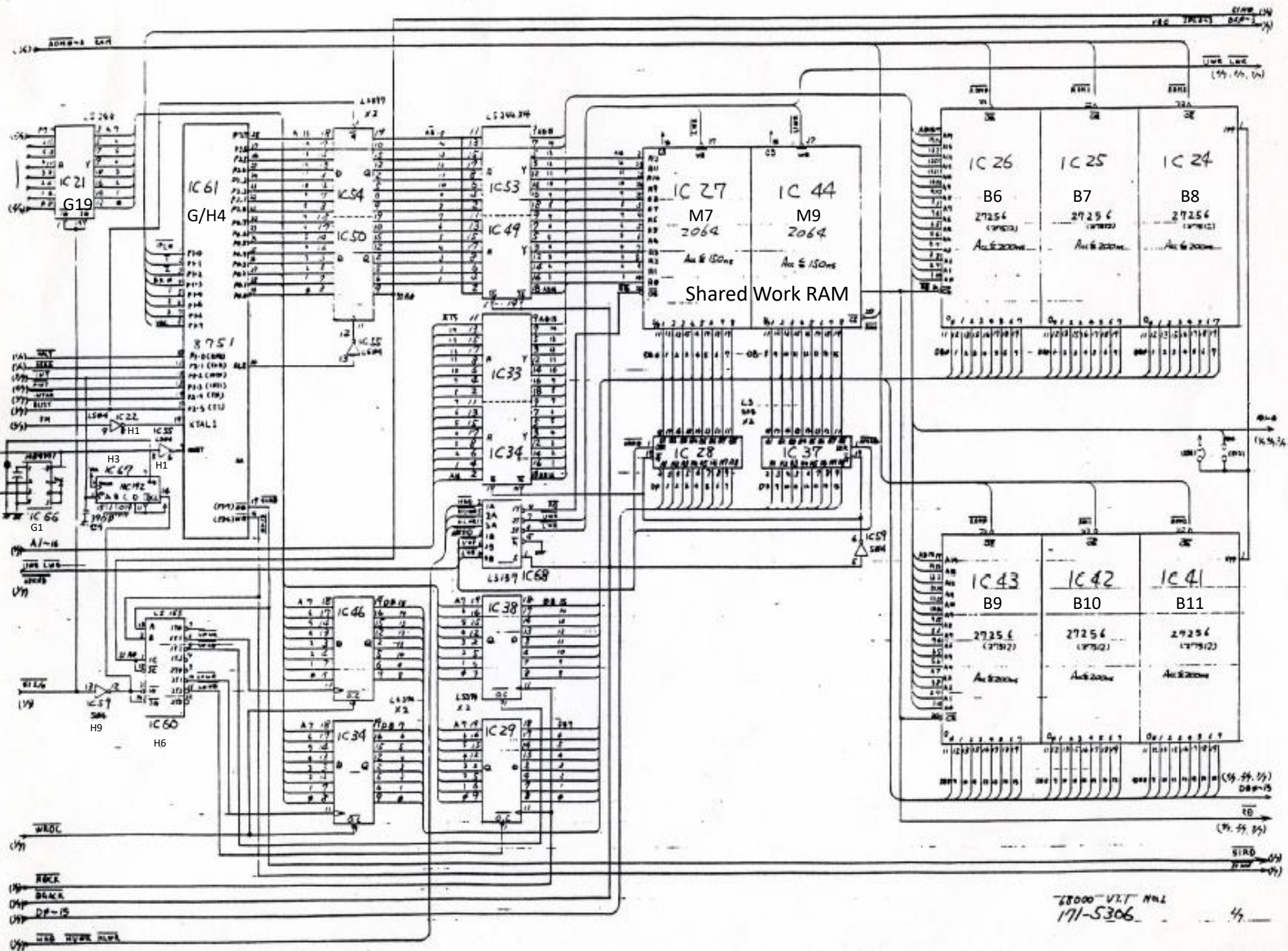
Note: These incomplete schematics are for the large revision of board that has ICxx designations on the silk screen. They have been modified to have some IC locations where I traced out things working on a Quartet and a Quartet 2 boardset that used an alpha and numeric grid pattern to designate IC locations.

The IC locations have been traced out, but many smaller logic gates have different pin assignments which means, check the pins on the chips carefully to see where they connect. Additionally, the EPROMs are on a daughterboard and have similar chip locations so you may see some chips with identical locations, but they will be on different PCBs.



Thanks,
Channelmaniac

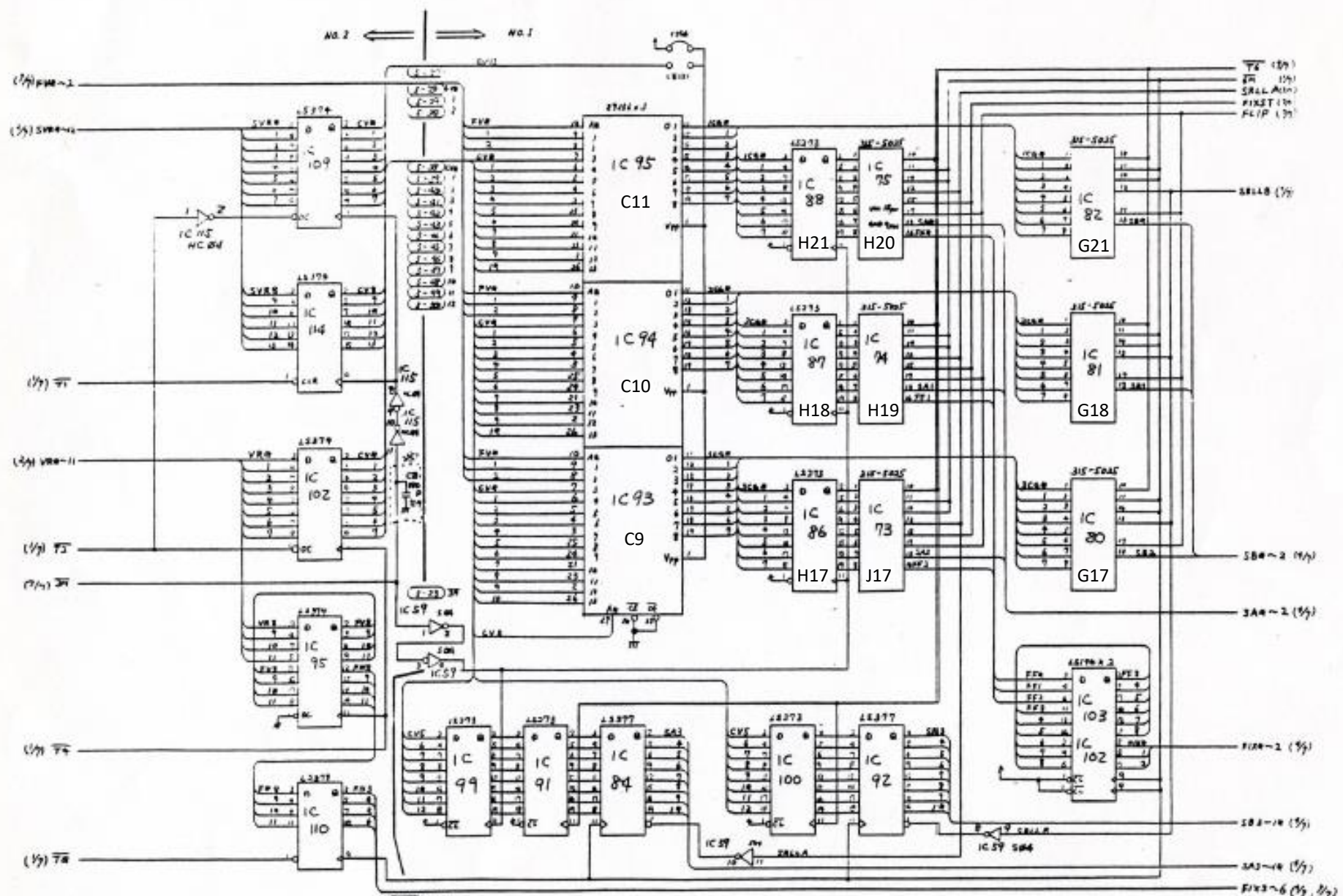




G/H4

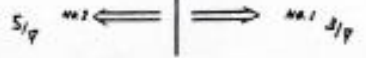
Shared Work RAM

68000 V.I.T. No. 1
171-5306 44

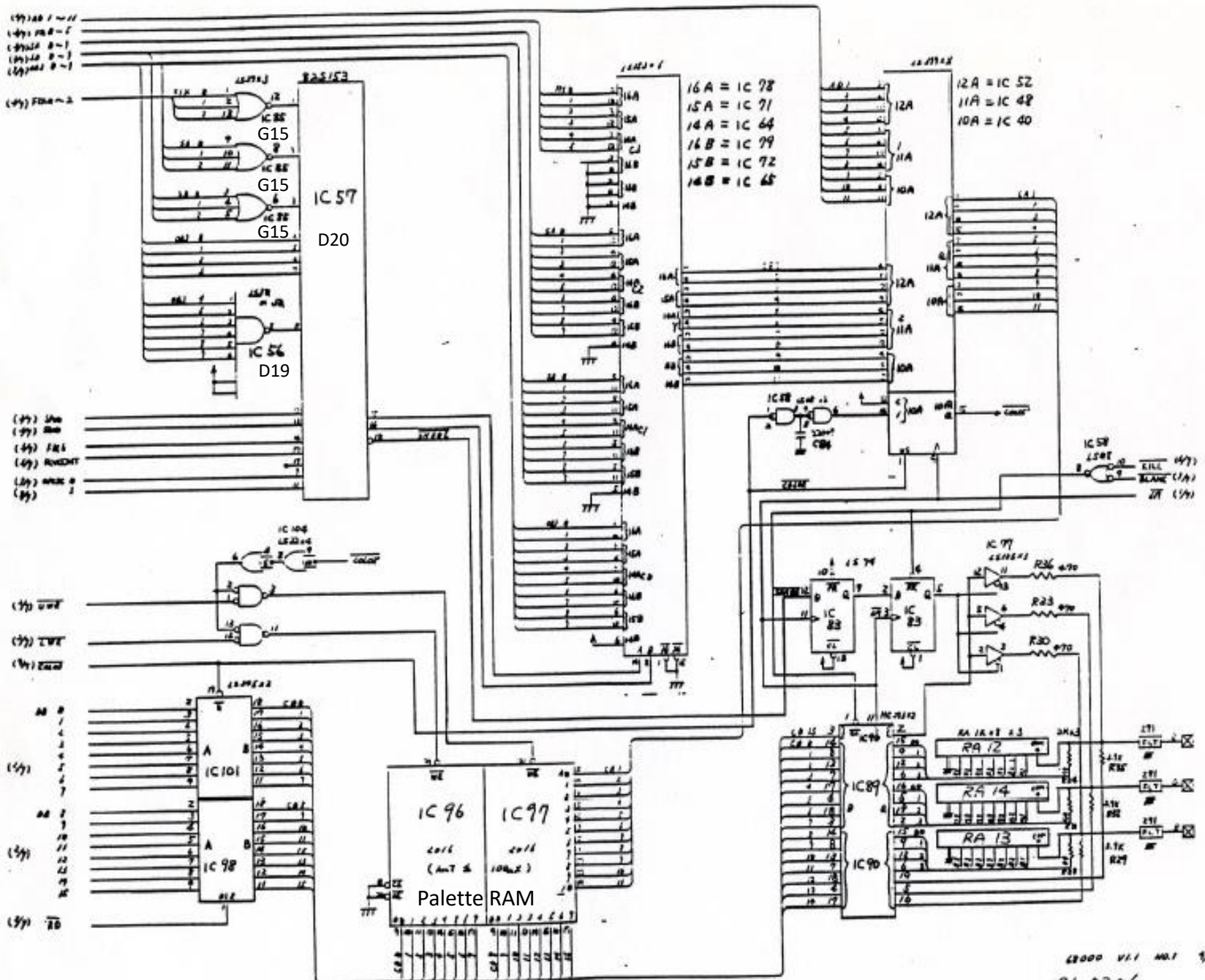


※注 C8は直挿に15の
75セントと110セントに接続
33.7c

IC 115
IC 116
IC 117
IC 118
IC 119
IC 120



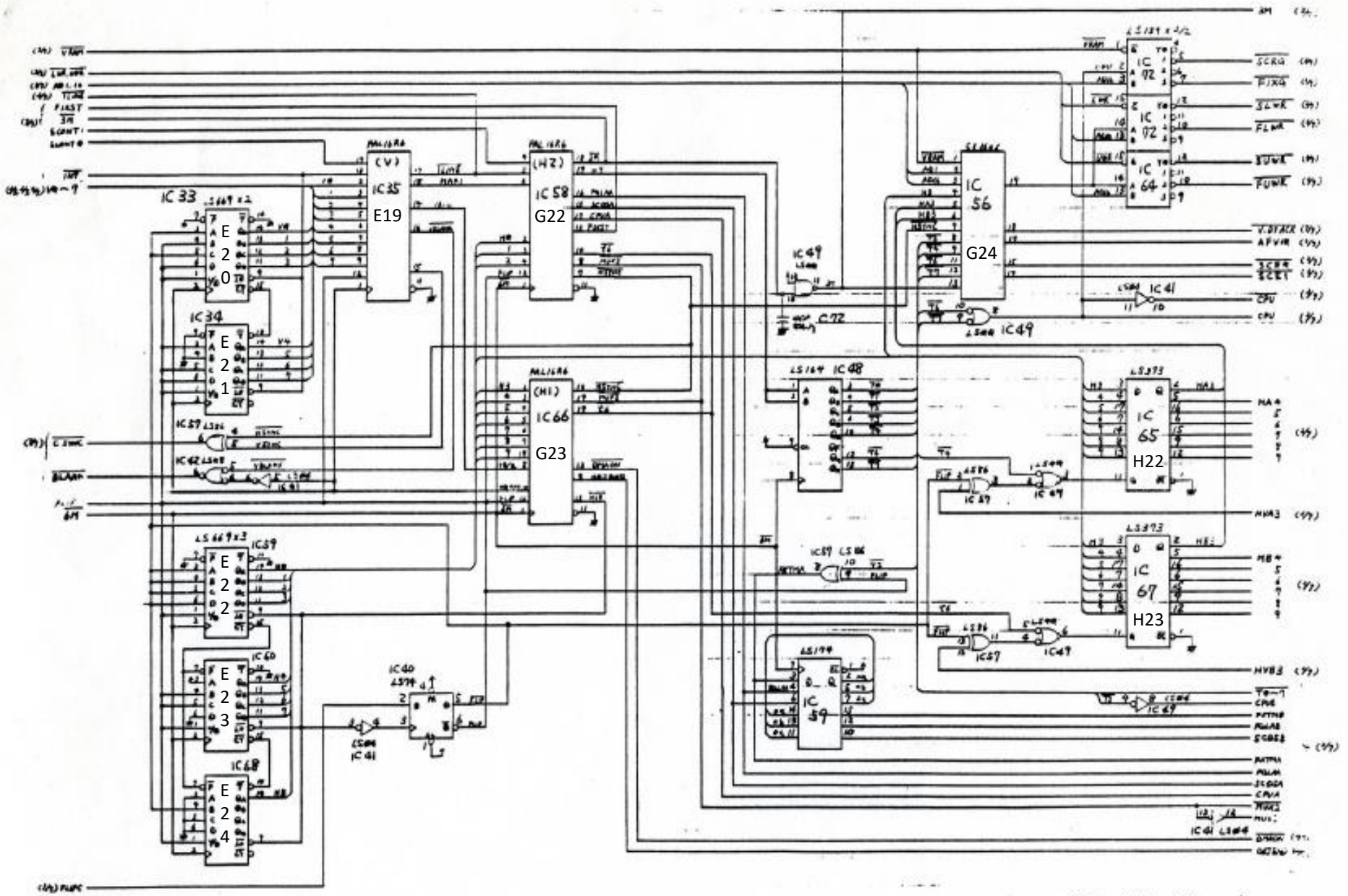
12000 V1.1 NO.1,2
171-5306
171-5307
Kaji



Palette RAM

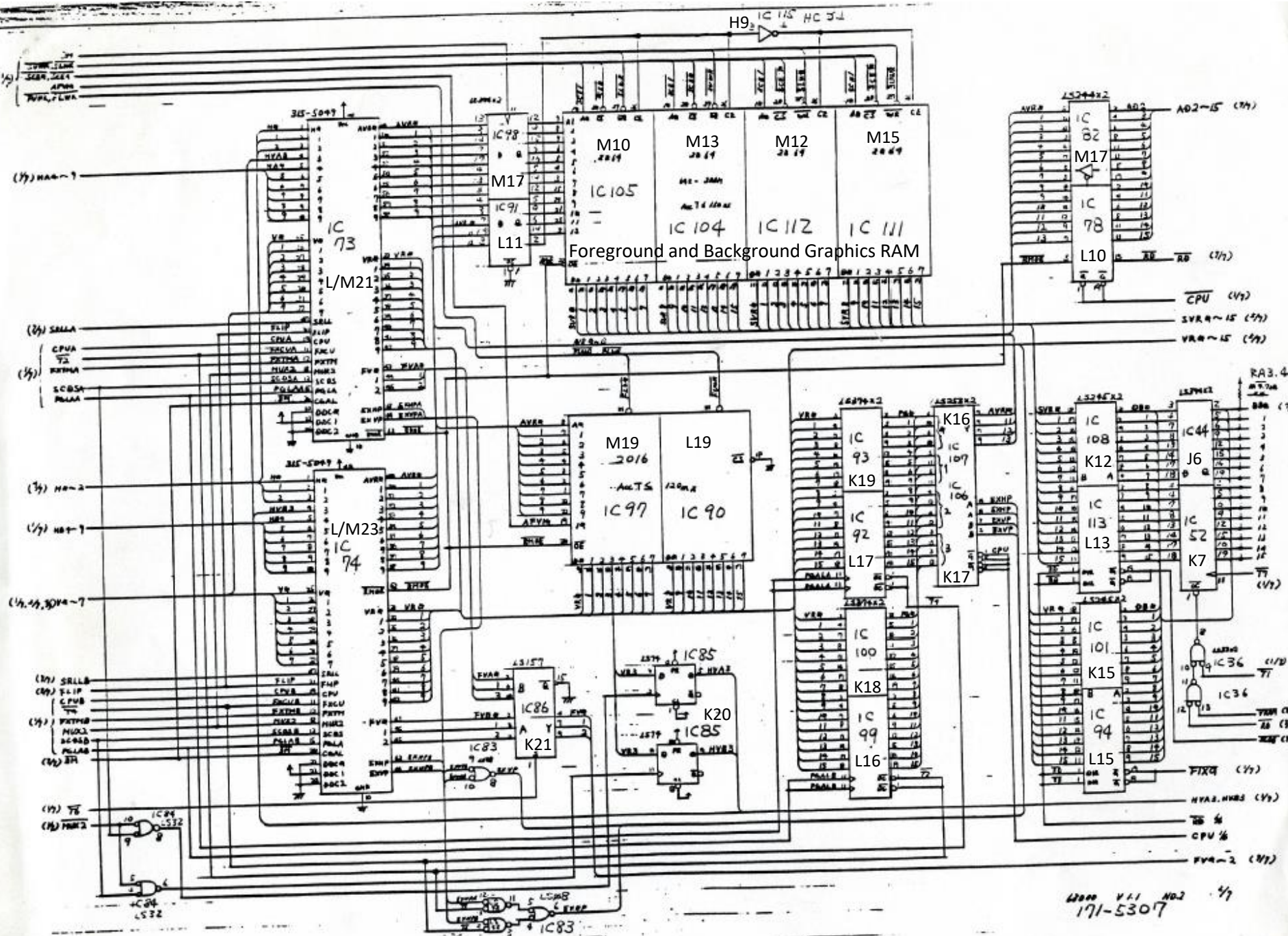
4800 V.1 NO.1 3/4
191-5306

M



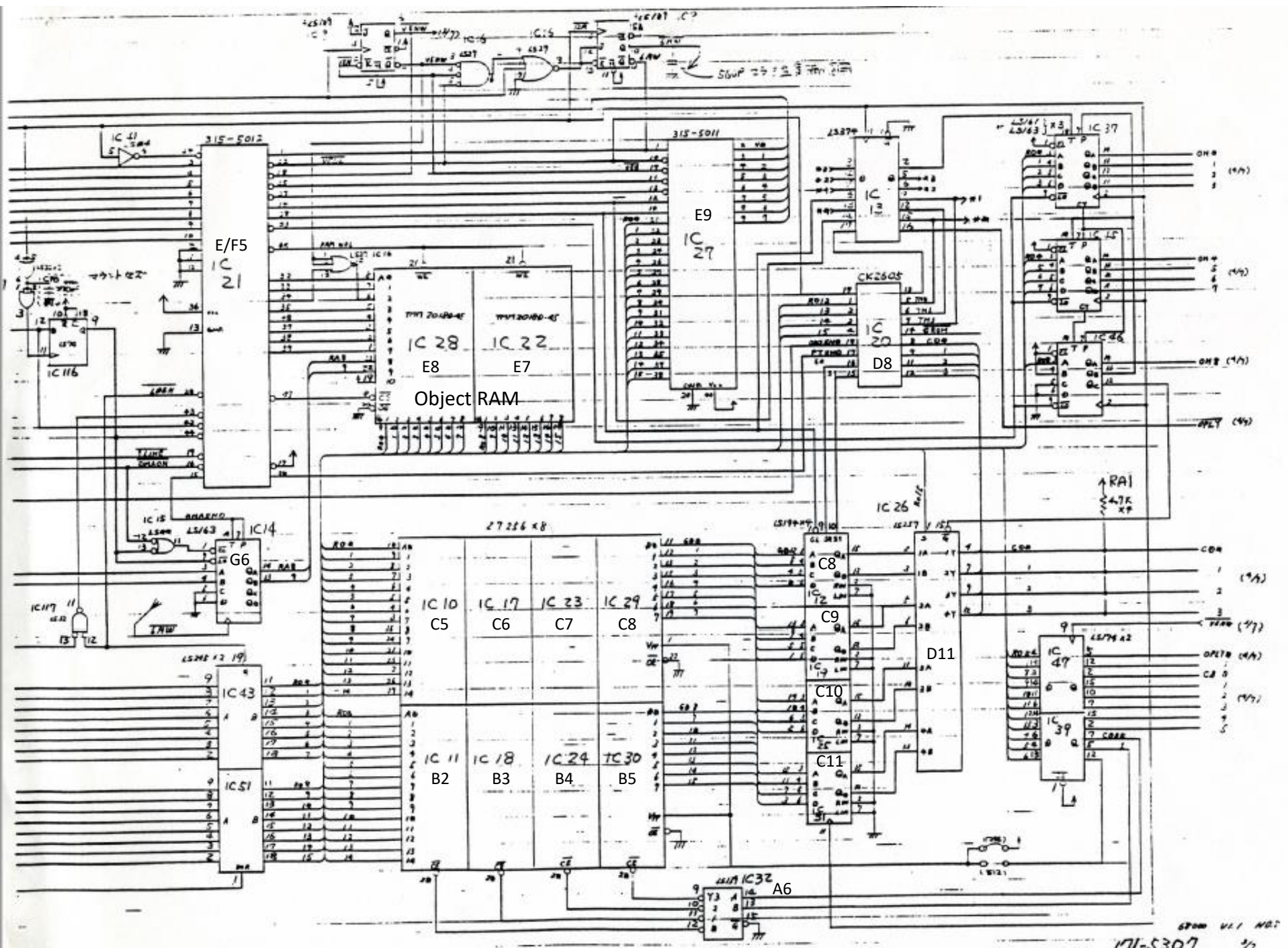
8200 V.12 No. 3
171-5307

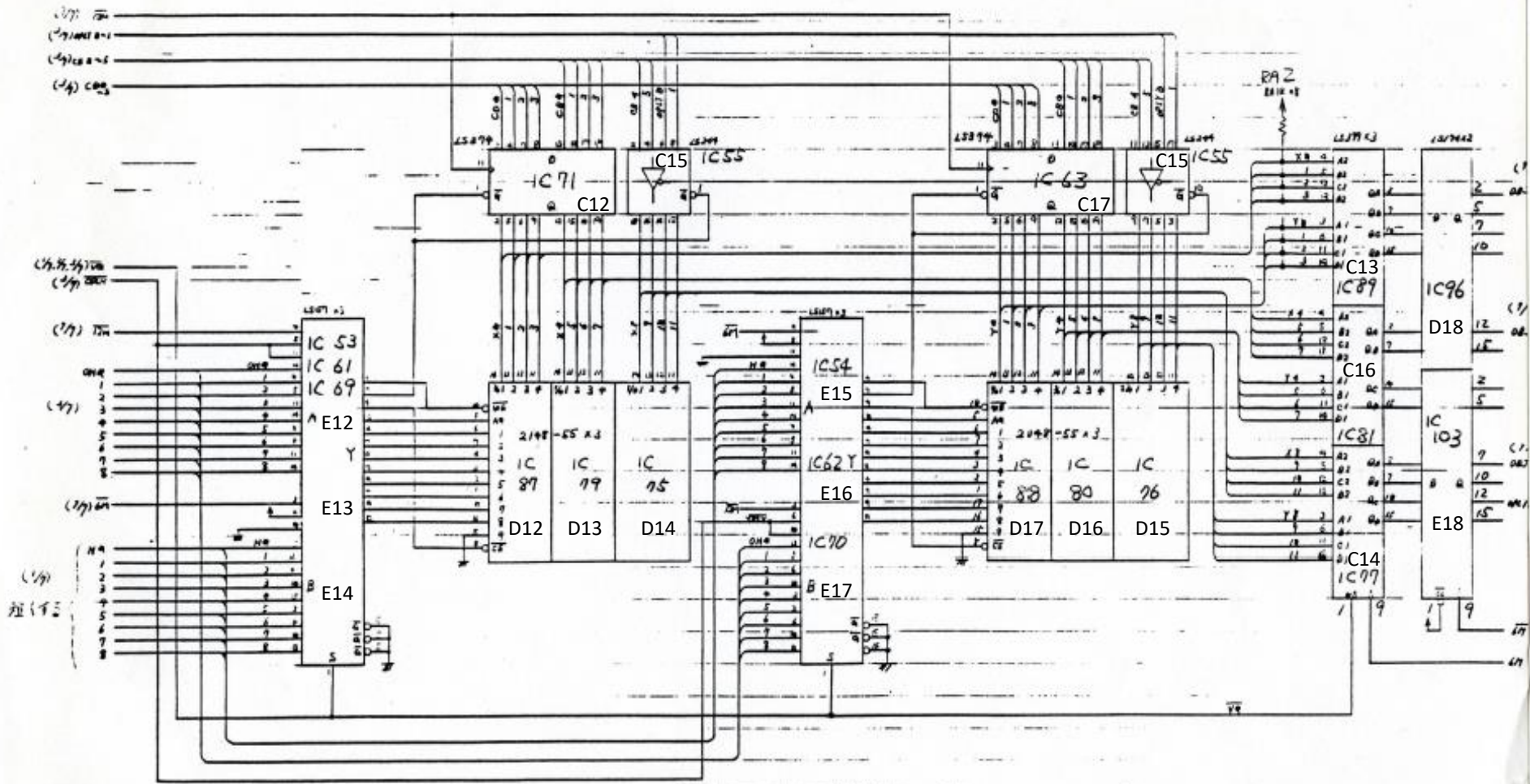
Xuji



Foreground and Background Graphics RAM

4200 V.1.1 No.2
171-5307



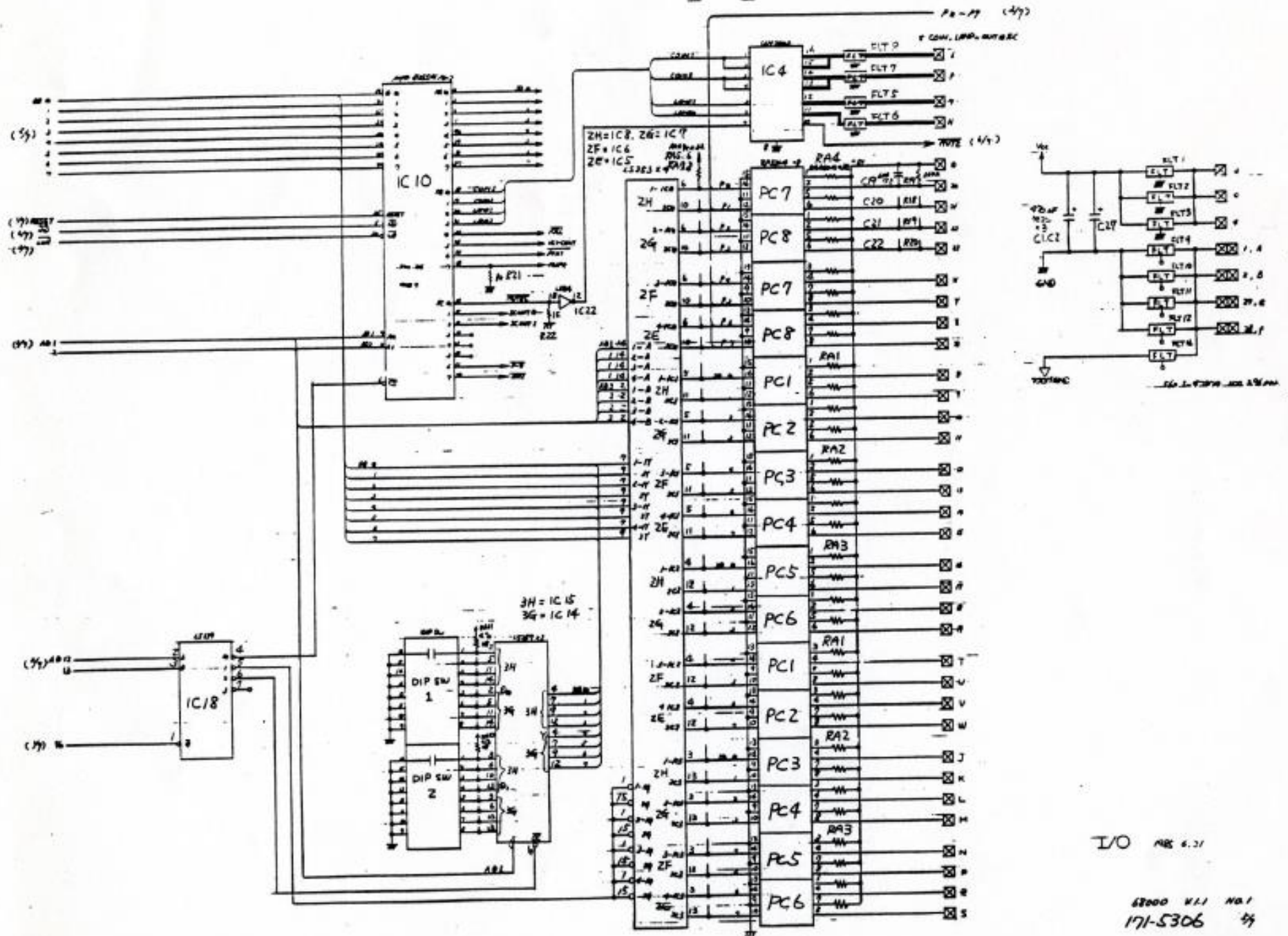


6800c v1.1 No.2

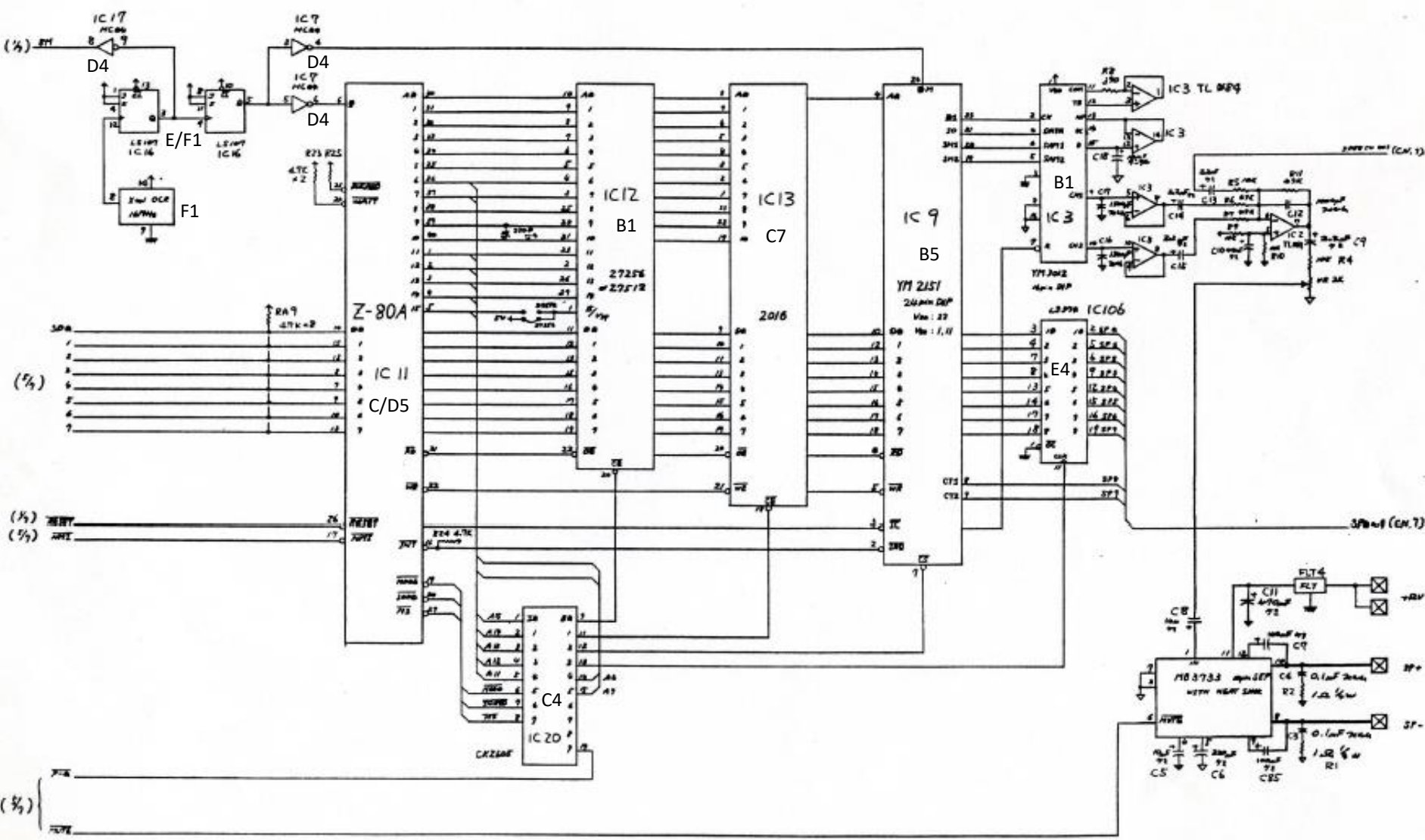
171-5307

1/4

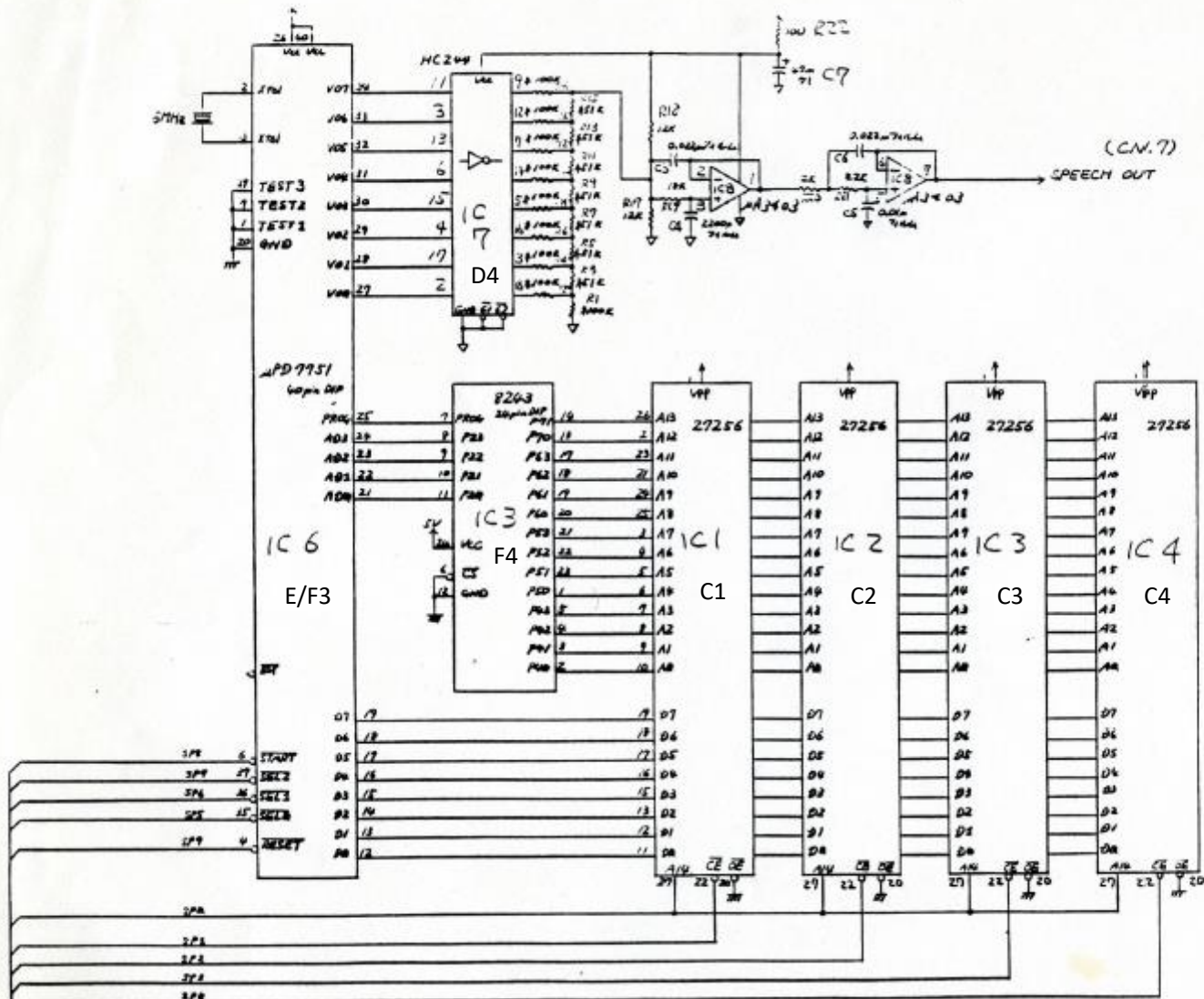
LINE BUFF



I/O NR 6.27

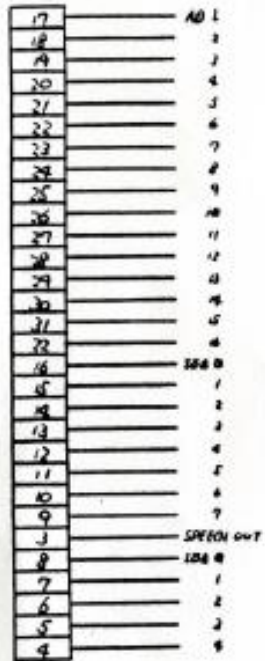


171-5205
 after V11 no.1
 T'elit

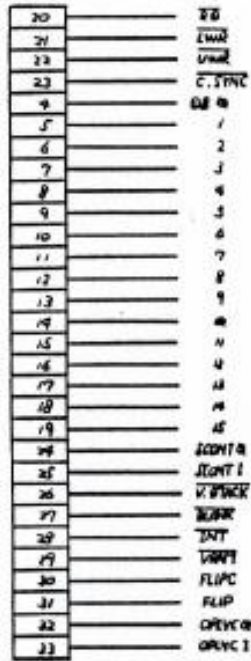


171-5307
 68000 v1.1 No.2 6/9

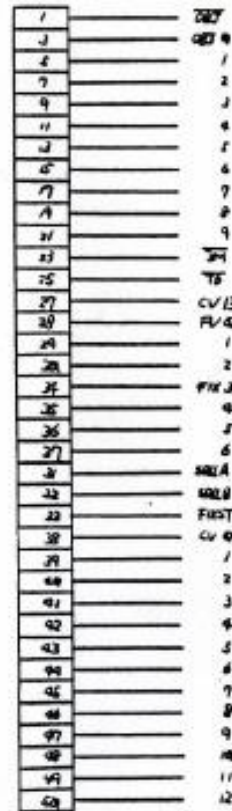
SOP 79-1 9-76
CN. 3



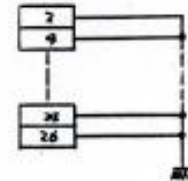
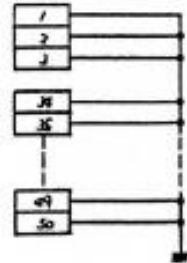
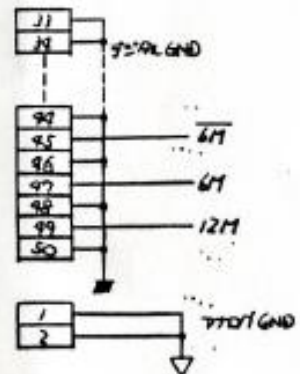
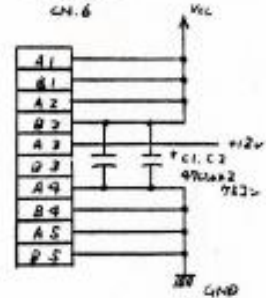
SOP 79-1 9-76
CN. 4



SOP 79-1 9-76
CN. 5



AMP IOP
CN. 6



68mm v1.1 No.1
171-5306

7/7