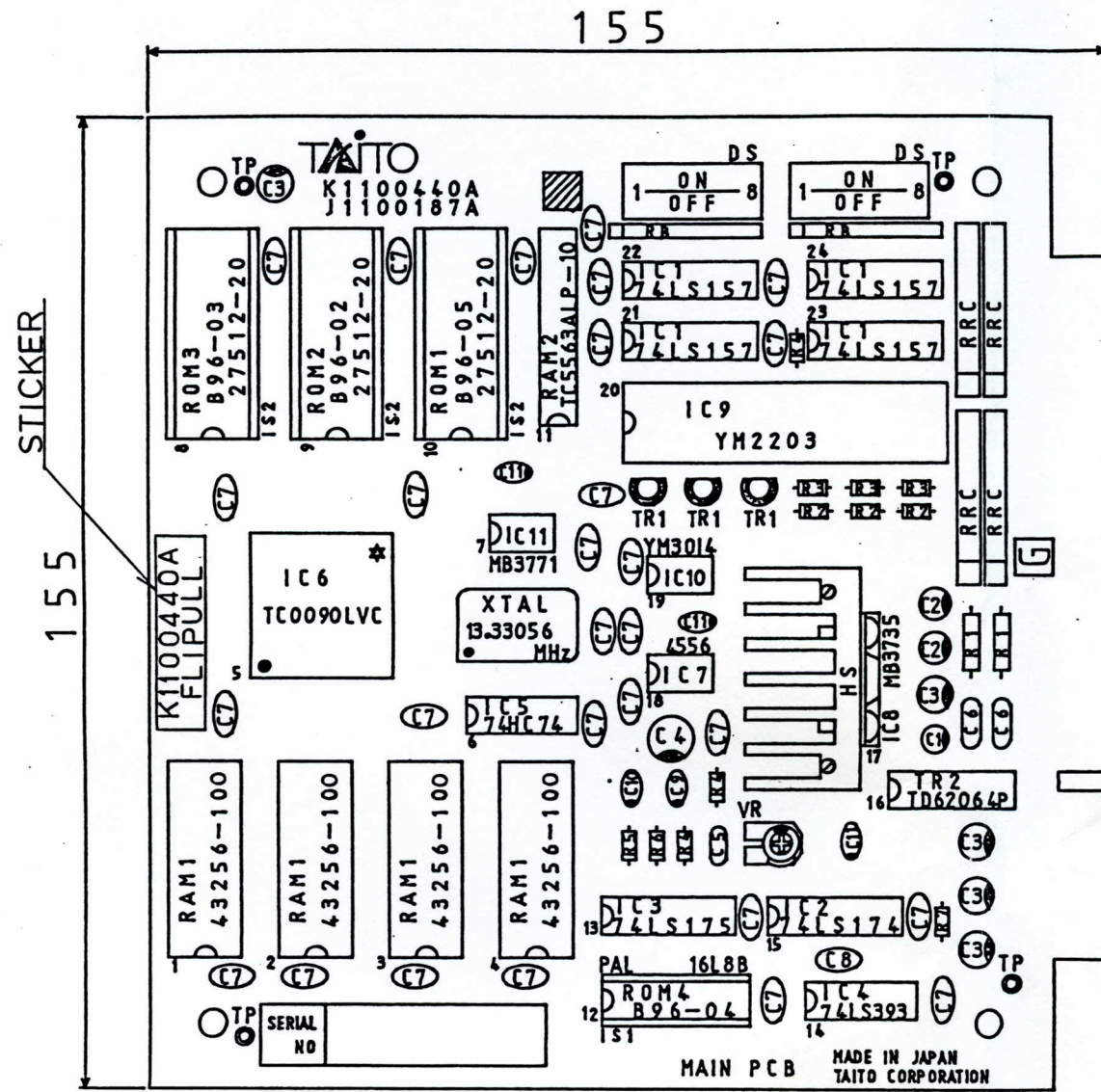




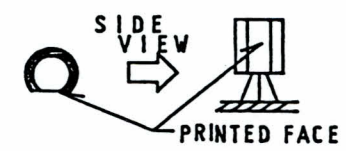


REVISIONS			
LTR	DESCRIPTION	DATE	APPROVED

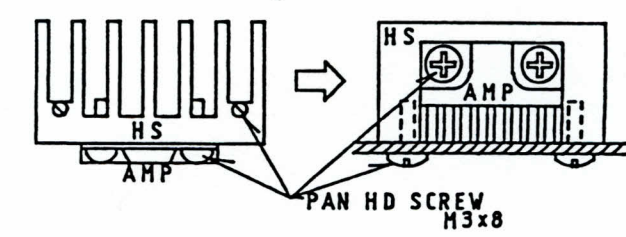


- COMMON MARK
- RES. NETWORK  
R R C
- CATHODE MARK
- ELEC. BLOCK
- TANT. DIP
- CAP. FILM
- CAP. CERAMIC

NOTE 1. SYMBOL MARK



NOTE 2. TRANSISTOR



NOTE 3. POWER AMP

- ★ ⇒ FLAT PACKAGE
- ▨ ⇒ NO MOUNT

出図  
1.5.16  
技術課

THIRD ANGLE PROJECTION UNLESS OTHERWISE SPECIFIED DIMENSIONS ARE IN MILLIMETRES TOLERANCES GENERAL HOLE DIA ± ANGLES ±	DRAWN 5. 8. '89	TAITO CORPORATION	
	DESIGN F. Kaneko	NAME MAIN PCB BOARD ASSY -TAMCO-	
MATERIAL	CHECK K. Maeda	SIZE A3	CODE IDENT NO. FLIPULL
FINISH	APPROVED	DWG. NO. K1100440A	SHEET 1/2
DO NOT SCALE DRAWING	APPROVED	SCALE	RELEASE DATE



84					
83					
82					
81					
80					
79					
78					
77					
76					
75					
74					
73					
72					
71					
70					
69		GAME STICKER	(K1100440A)	1	
68					
67	TP	C0600403A	TEST POINT CHIP L=7.8	4	
66					
65	IS2	C0550080A	I.C. SOCKET 28P	3	
64	IS1	C0550052A	I.C. SOCKET 20P	1	
63					
62	DS	C0200117A	DIP SWITCH DSS-8	2	
61					
60	ROM4	B2004106A	PAL B96-04 16L8B	1	
59	ROM3	B2004105A	ROM B96-03 27512-200	1	
58	ROM2	B2004104A	ROM B96-02 27512-200	1	
57	ROM1	B2004107A	ROM B96-05 27512-200	1	
56					
55	IC11	B17Z2531A	RESET I.C. MB3771	1	
54	IC10	B17Z2178A	D/A CONVERTER YM3014	1	
53	IC9	B17Z2013A	FM OPERATOR YM2203	1	
52		P0600022A	PAN HD SCREW M3X8	4	
51	HS	A9000197A	HEAT SINK TAITO-00001-02	1	
50	IC8	B17Z1607A	POWER AMP MB3735	1	
49	IC7	B17Z0464A	OP AMP MPC4556	1	
48					
47	IC6	B16Z0038A	CUSTOM I.C. TC0090LVC	1	
46					
45	RAM2	B10X0030A	S-RAM TC5563ALP-10	1	
44	RAM1	B10X0029B	S-RAM 43256-100	4	
43					
42	IC5	B07X2074A	HC-MOS I.C. 74HC74	1	
41					
40	IC4	B01X0393A	LS I.C. 74LS393	1	
39	IC3	B01X0175A	↑ 74LS175	1	
38	IC2	B01X0174A	↓ 74LS174	1	
37	IC1	B01X0157A	LS I.C. 74LS157	4	
36					
35	XTAL	A9000209A	X-TAL OSC 13.33056MHZ	1	
34					

REVISIONS			
LTR	DESCRIPTION	DATA	APPROVED

33	RRC	A2239003A	RRC	48CR-1E2B	4
32					
31	RB	A2231089A	RES BLOCK	10K OHM 1/8W 8E	2
30					
29	VR	A2102411A	VR	TM8KV2-1SB5K	1
28					
27	R7	A2004089A	RES CARBON	10K OHM 1/6W ±5%	1
26	R6	A2004087A	↑	8.2K ↑	1
25	R5	A2004084A	↑	6.2K ↑	1
24	R4	A2004065A	↑	1K ↑	3
23	R3	A2004057A	↓	470 ↓	3
22	R2	A2004029A	↓	33 OHM 1/6W ±5%	3
21	R1	A2000470A	RES CARBON	1 OHM 1/2W ±5%	2
20					
19	C11	A1320519A	CAP TANT DIP	25V 10μF	3
18	C10	A1320515A	CAP TANT DIP	25V 4.7μF	1
17	C9	A1320507A	CAP TANT DIP	25V 1μF	1
16					
15	C8	A1200269A	CAP CERAMIC	50V 1000pF	1
14	C7	A1200123A	CAP CERAMIC	25V 0.1μF	28
13					
12	C6	A1100170A	CAP FILM	50V 0.1μF	2
11	C5	A1100147A	CAP FILM	50V 10000pF	1
10					
9	C4	A1000143A	CAP FLEC BLOCK	16V 1000μF	1
8	C3	A1000135A	↑	16V 220μF	5
7	C2	A1000131A	↓	16V 100μF	2
6	C1	A1000119A	CAP FLEC BLOCK	16V 10μF	1
5					
4	TR2	A0100262A	TRANSISTOR ARRAY	TD62064P	1
3	TR1	A0100099A	TRANSISTOR	2SC1815	3
2					
1		J1100187A	MAIN P C BOARD	155 X 155	1
ITEM NO.	SYM	PART OR IDENTIFYING NO.	NOMENCLATURE OR DESCRIPTION		QTY REQD



DATE	5. 8. '89	TAITO CORPORATION	
DESIGN	F. Kaneko	NAME	
CHECK	K. Mouri	MAIN P.C BOARD ASSY	
APPROVED		-TAMCO-	
APPROVED		SIZE	CODE IDENT NO.
		A3	FLIPULL
		DWG. NO.	K1100440A
		SCALE	RELEASE DATA
			REPT



REVISIONS			
LTR	DESCRIPTION	DATE	APPROVED

FC BUS (2-7D)  
FA BUS (2-7D)

FD BUS (2-7D)

CA BUS (2-3D)

CD BUS (2-3D)

- 0
- 1
- 2
- 3
- 4
- 5
- 6
- 7
- 8
- 9
- 10
- 11
- 12
- 13
- 14
- 15
- 16
- 17
- 18
- 19
- 20
- 21
- 22
- 23
- 24
- 25
- 26
- 27
- 28
- 29
- 30
- 31

- 14
- 13
- 12
- 11
- 10
- 9
- 8
- 7
- 6
- 5
- 4
- 3
- 2
- 1
- 0
- 144
- 143
- 142
- 141
- 140
- 139
- 138
- 137
- 136
- 135
- 134
- 133
- 132
- 131
- 130
- FC3
- FC2
- FC1
- FC0
- FOE
- 129
- 128
- 127
- 126
- 123
- 122
- 121
- CA19
- CA18
- CA17
- CA16
- CA15
- CA14
- CA13
- CA12
- CA11
- CA10
- 9
- CD15
- CD14
- CD13
- CD12
- CD11
- CD10
- CD9
- CD8
- CD7
- CD6
- CD5
- CD4
- CD3
- CD2
- CD1
- CD0
- EA18
- EA17
- EA16
- EA15
- EA14
- EA13
- EA12
- EA11
- EA10
- EA9
- 9
- EA0
- EA1
- EA2
- EA3
- EA4
- EA5
- EA6
- EA7
- EA8
- EA9

IC5  
TC0090LVC  
144Pin FLAT

+5V 18, 45, 56, 91, 125  
GND 19, 41, 57, 90, 124

(4-6D) EINT  
+5V  
+5V

C20  
C102

TC  
TE  
INT  
BRG  
UBL  
SYNC  
VIDEO R  
VIDEO G  
VIDEO B  
N.C.  
RDY  
RESET

ENR  
ERD  
CRAM1  
EROM2  
WRAM3

ED0  
ED1  
ED2  
ED3  
ED4  
ED5  
ED6  
ED7

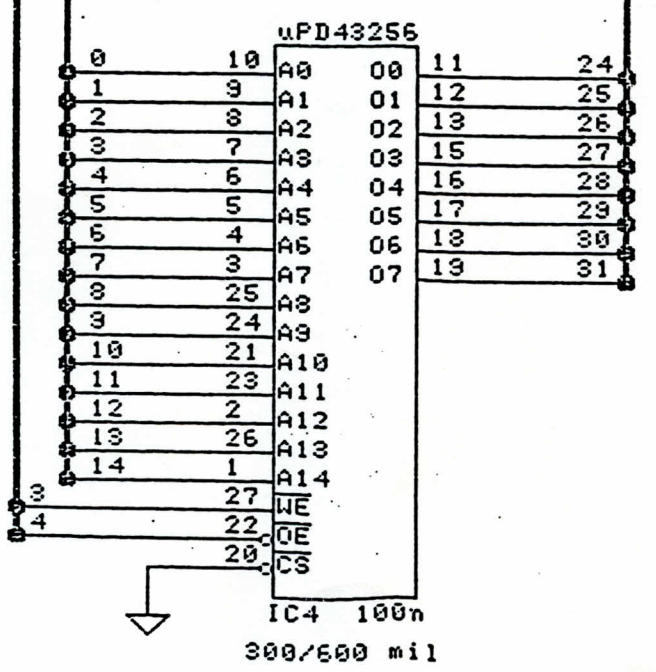
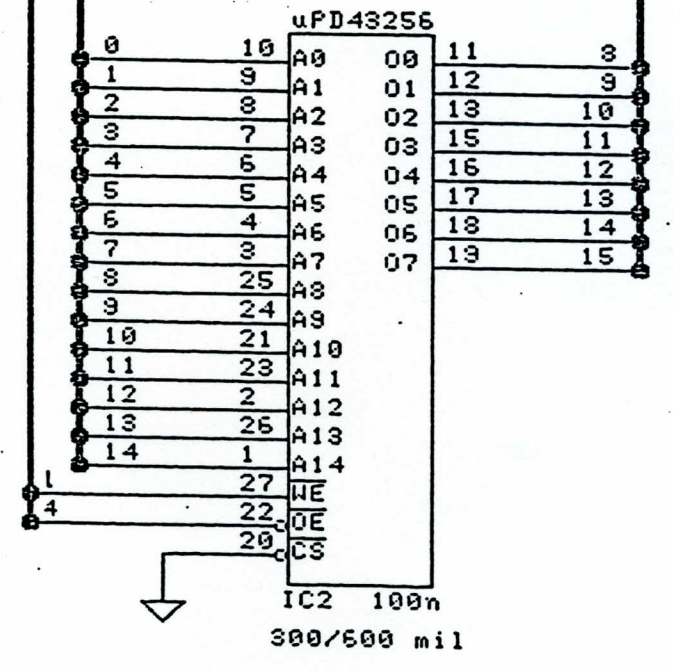
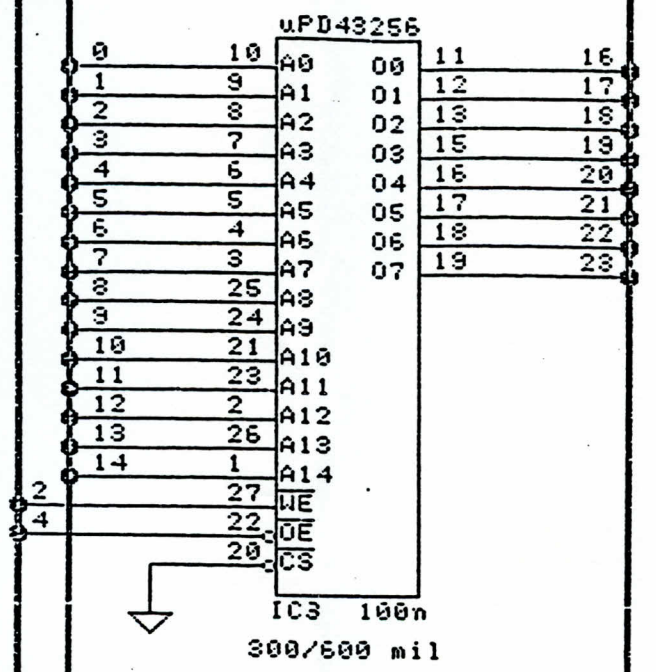
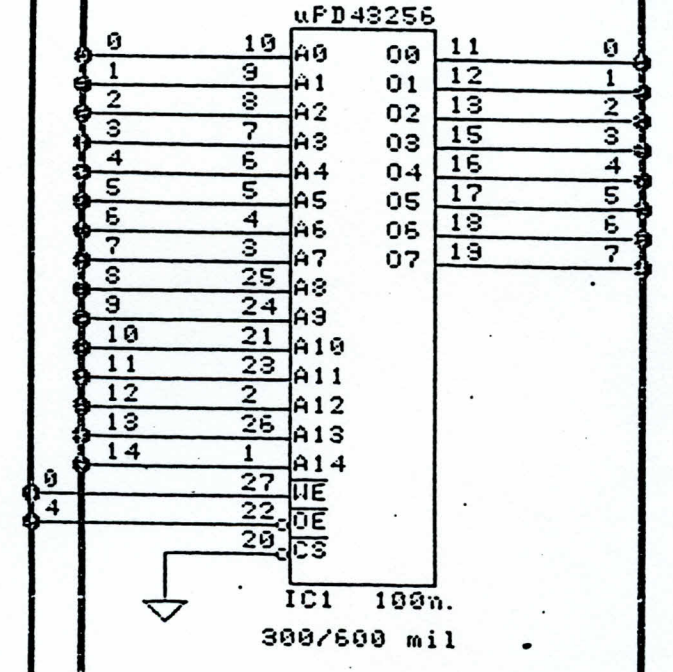
EA0  
EA1  
EA2  
EA3  
EA4  
EA5  
EA6  
EA7  
EA8  
EA9

DRAWN KATSUMI		TAITO CORPORATION	
DESIGN 5. 11. '89		NAME	
CHECK K. Mark		MAIN P.C BOARD	
APPROVED		SCHEMATIC DIAGRAM	
APPROVED		SIZE CODE A3	DWG. NO. W5100327A
SCALE 1 / 1		RELEASE DATE '89. 3. 10	SHEET 1 / 7

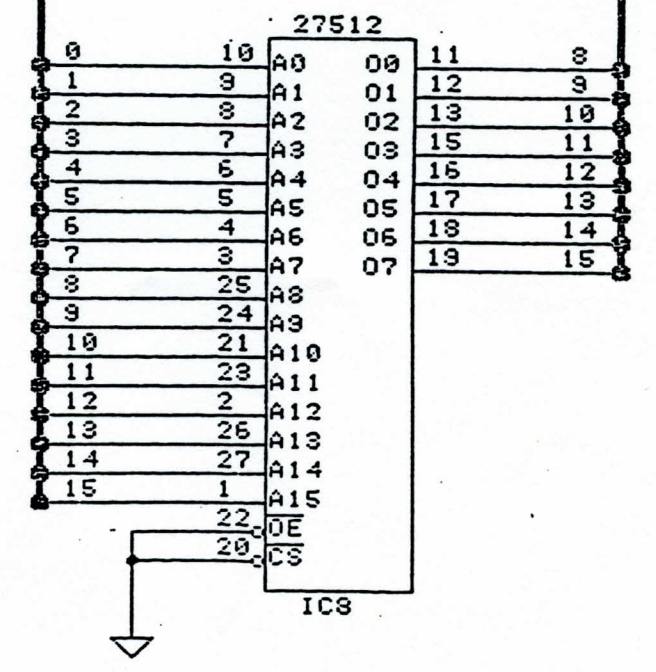
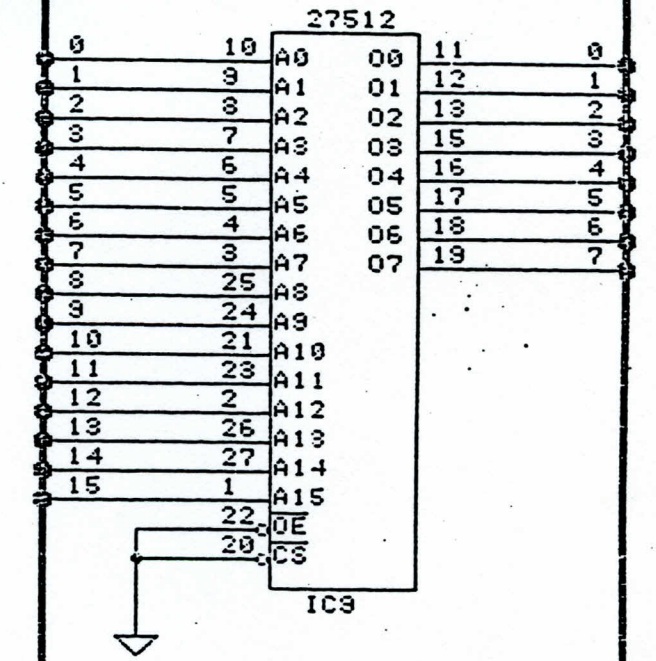


REVISIONS			
LTR	DESCRIPTION	DATE	APPROVED

FD BUS (1-7D)  
 FA BUS (1-7D)  
 FC BUS (1-7D)



(1-1D) CD BUS  
 (1-1D) CA BUS



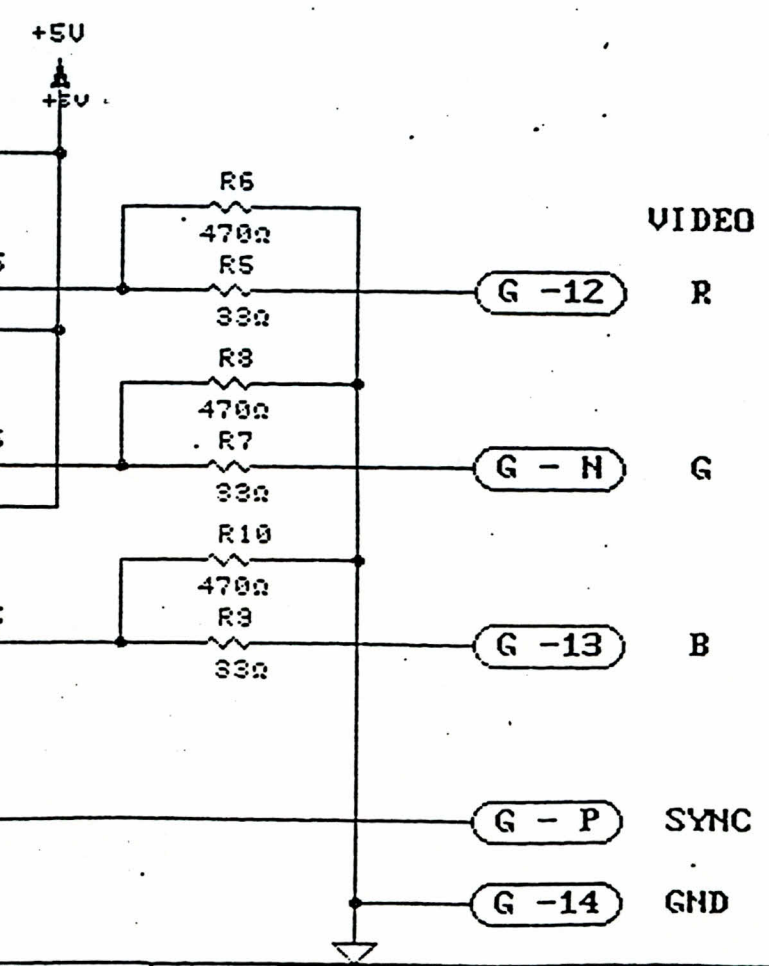
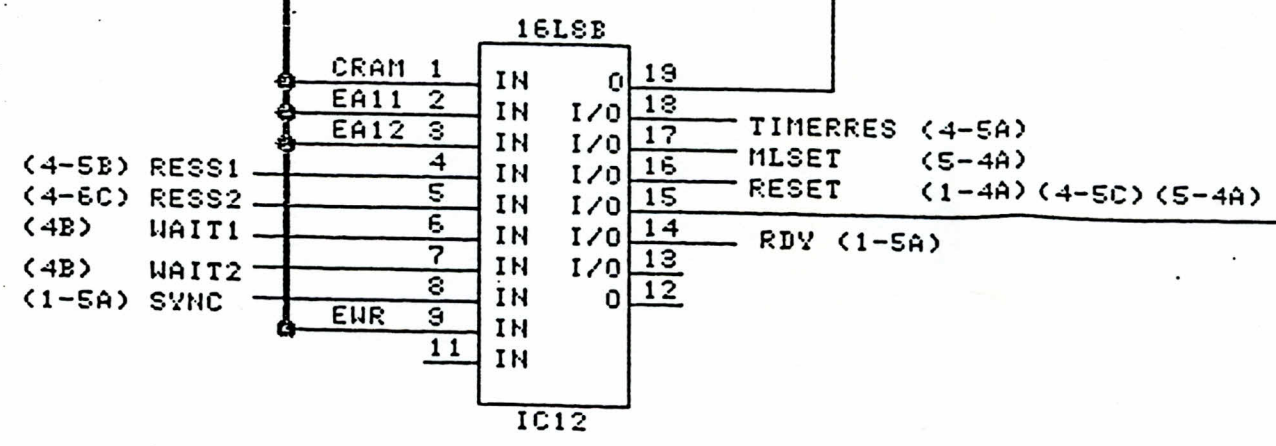
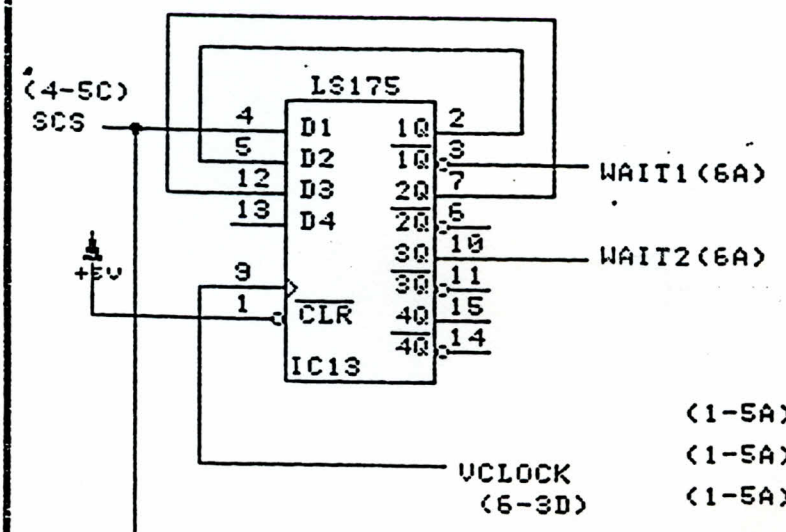
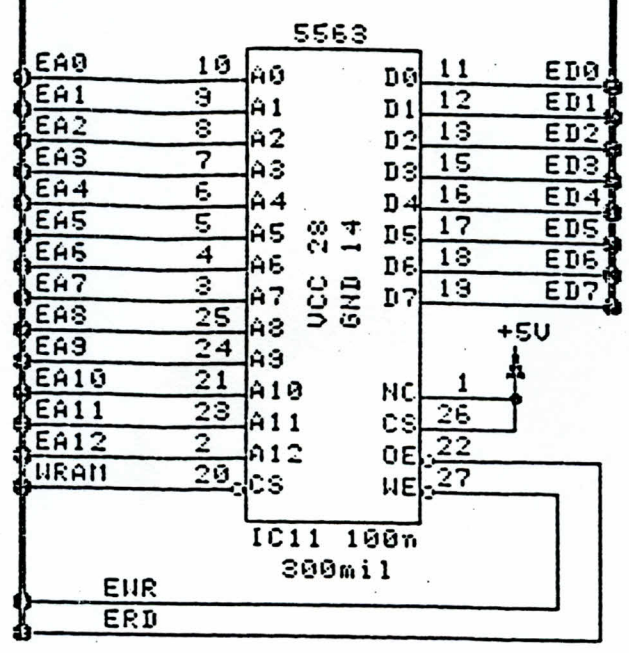
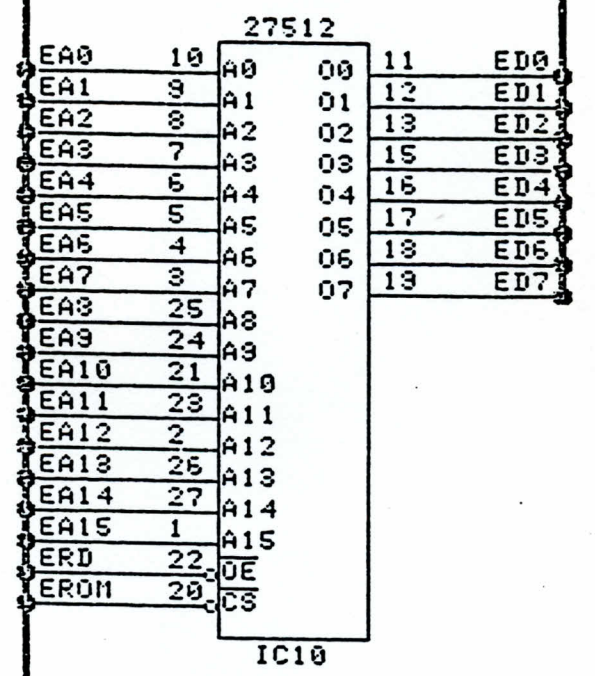
DRAWN KAISUMI		TAITO CORPORATION	
DESIGN 5.11.89		NAME	
CHECK K. Moku		MAIN P.C BOARD	
APPROVED		SCHEMATIC DIAGRAM	
APPROVED		SIZE CODE A3 FLIPULL	DWG. NO. W5100327A
SCALE 1 / 1		RELEASE DATE '89. 3.10	SHEET 2 / 7



REVISIONS			
DATE	DESCRIPTION	DATE	APPROVED

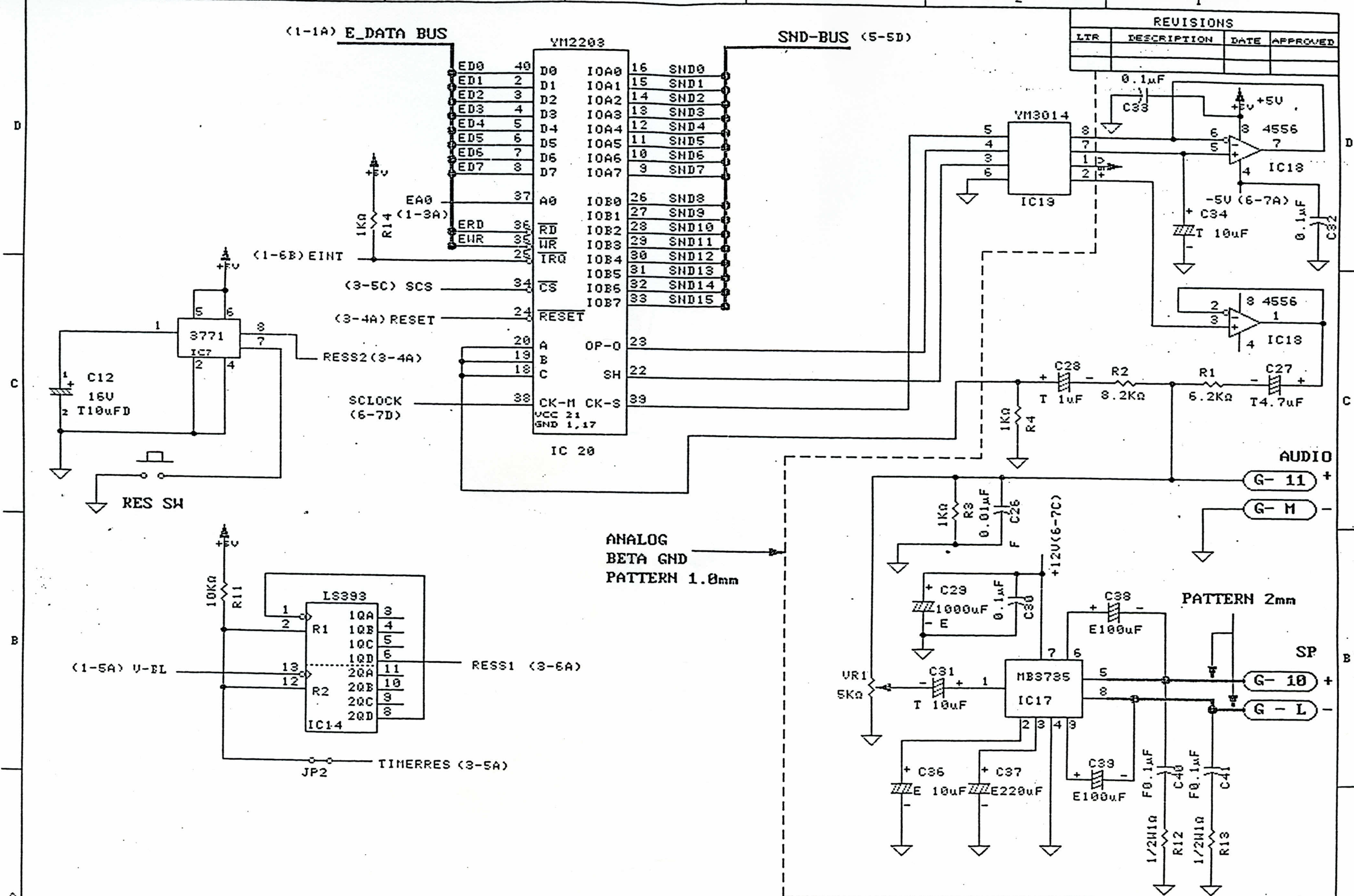
(1-1A) E\_DATA BUS

(1-1A) E\_ADDRESS BUS



DRAWN KANEOKA	TAITO CORPORATION		
DESIGN 5.11.89	NAME MAIN P.C BOARD		
CHECK k.maita	SCHEMATIC DIAGRAM		
APPROVED	SIZE CODE A3	DWG. NO. FLIPULL	W5100327A
APPROVED	SCALE 1/1	RELEASE DATE '89. 3.13	SHEET 3/7





REVISIONS			
LTR	DESCRIPTION	DATE	APPROVED

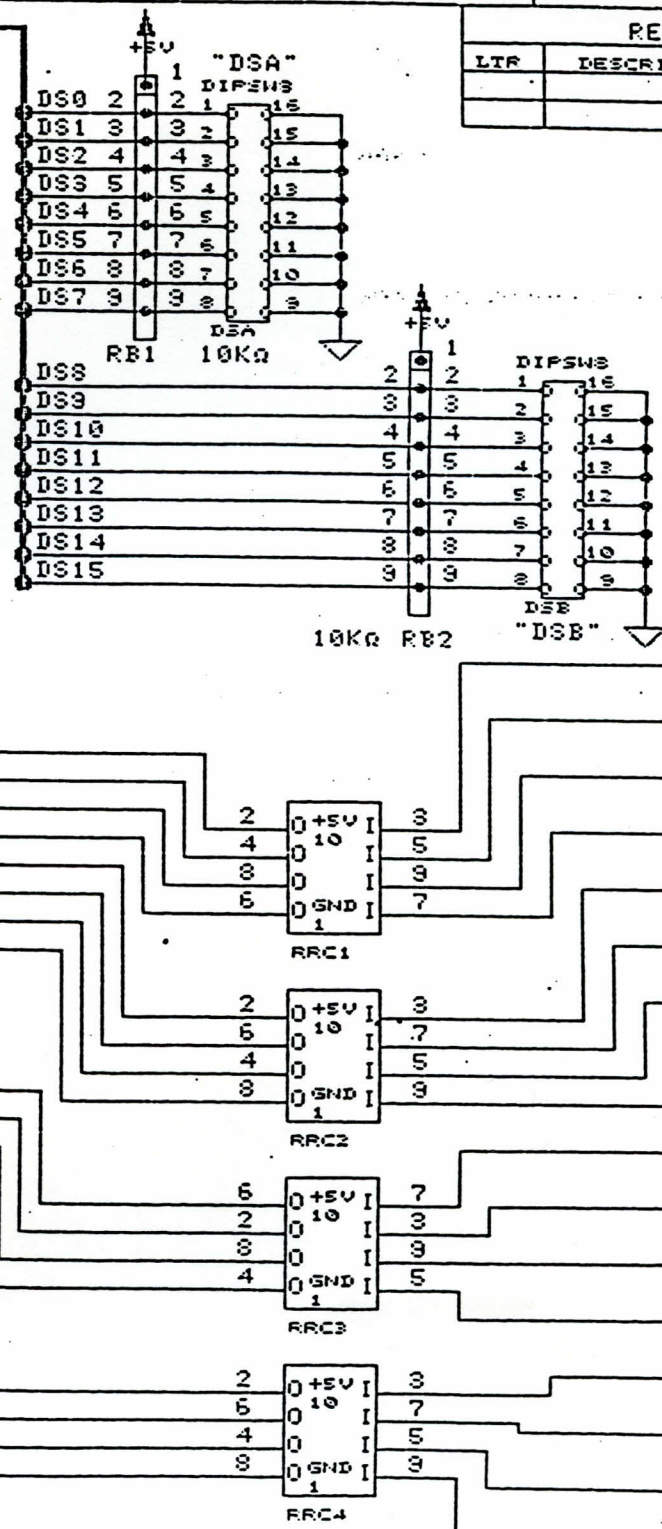
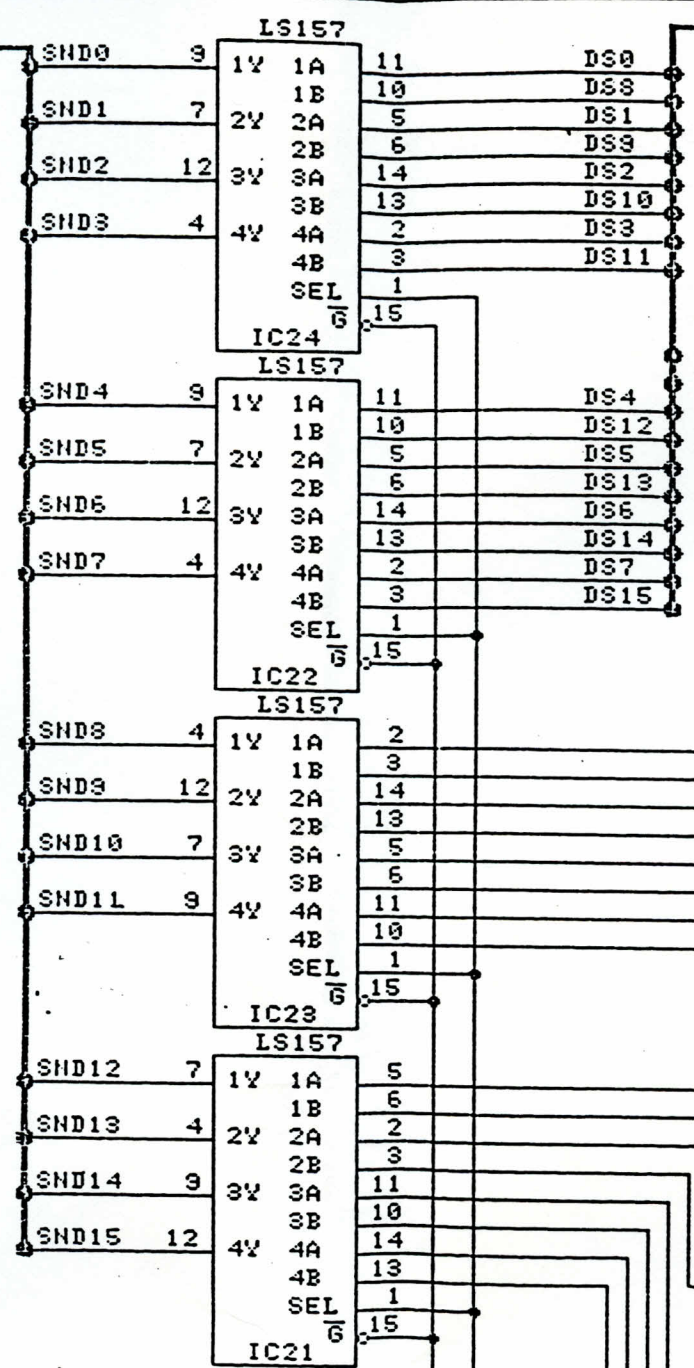
DRAWN KATSUMI DESIGN 5.11 '89 CHECK K. Mochizuki APPROVED APPROVED	<b>TAITO CORPORATION</b> NAME <b>MAIN P.C BOARD</b> <b>SCHEMATIC DIAGRAM</b> SIZE CODE <b>A3 FLIPULL</b> DNG. NO. <b>W5100327A</b> SCALE 1 / 1 RELEASE DATE '89. 3.10 SHEET 4 / 7
-----------------------------------------------------------------------------------------	--------------------------------------------------------------------------------------------------------------------------------------------------------------------------------------------------------------------------



(4-3D) SHD BUS

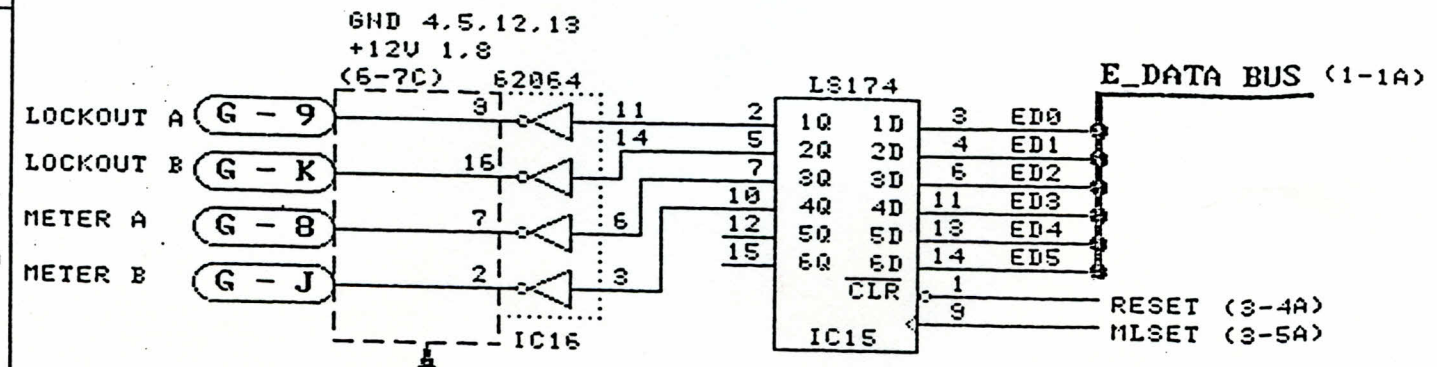
REVISIONS			
LTR	DESCRIPTION	DATE	APPROVED

D  
C  
B  
A



- G - R SERVICE
- G - S TILT
- G - 16 COIN A
- G - T COIN B
- G - 17 SEL1P
- G - U SEL2P
- G - 18 1P UP
- G - V 2P UP
- G - 19 1P DOWN
- G - H 2P DOWN
- G - 20 1P LEFT
- G - X 2P LEFT
- G - 21 1P RIGHT
- G - Y 2P RIGHT
- G - 22 1P PS A
- G - Z 2P PS A

(1-3A) EA1

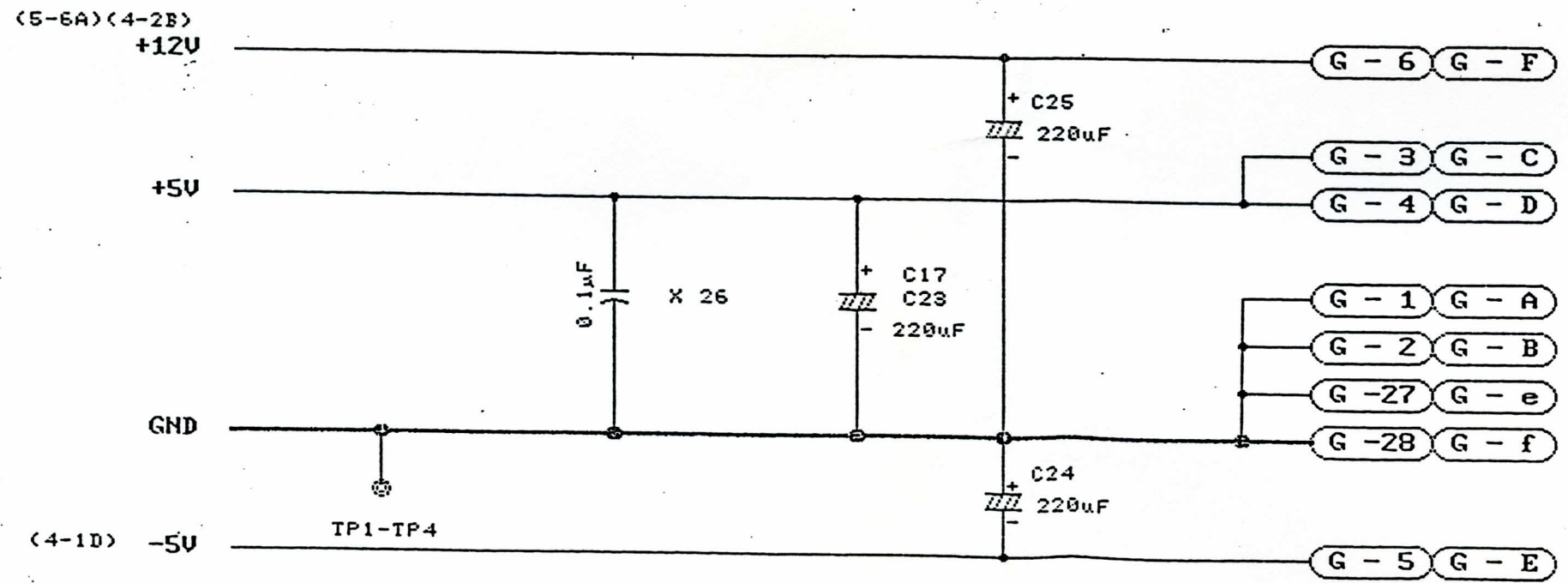
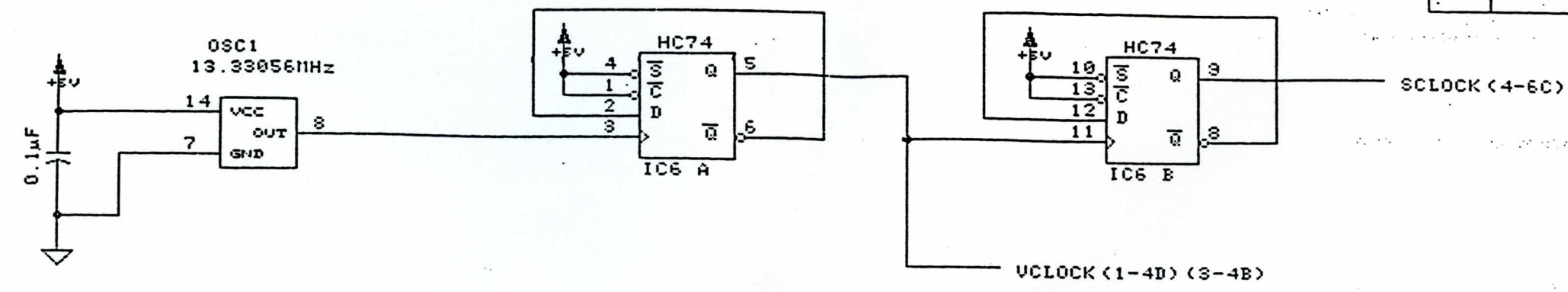


PATTERN 1mm

DRAWN KATSUMI	TAITO CORPORATION	
DESIGN 5.11.89	NAME	
CHECK <i>K. Mouta</i>	MAIN P.C BOARD	
APPROVED	SCHEMATIC DIAGRAM	
APPROVED	SIZE CODE A3 FLIPULL	DWG. NO. W5100327A
	SCALE 1 / 1	RELEASE DATE 89. 3. 10
		SHEET 5 / 7



REVISIONS			
LTR	DESCRIPTION	DATE	APPROVED



DRAWN KATSUMI	TAITO CORPORATION		
DESIGN 5.11.89	NAME		
CHECK K. Maiba	MAIN P.C BOARD SCHEMATIC DIAGRAM		
APPROVED	SIZE CODE A3	DWG. NO. FLIPULL	W5100327A
APPROVED	SCALE 1/1	RELEASE DATE '89. 3.10	SHEET 6/7



REVISIONS			
LTR	DESCRIPTION	DATE	APPROVED

## G CONNECTOR

GND	1	A	GND
GND	2	B	GND
+5v	3	C	+5v
+5v	4	D	+5v
-5v	5	E	-5v
+12v	6	F	+12v
POST	7	H	POST
METER A	8	J	METER B
LOCKOUT A	9	K	LOCKOUT B
SP(+)	10	L	SP(-)
SOUND	11	M	SGND
R	12	N	G
B	13	P	SYNC
VIDEO GND	14	R	SERVICE
NC	15	S	TILT
COIN A	16	T	COIN B
SEL-1P	17	U	SEL-2P
1P UP	18	V	2P UP
1P DOWN	19	W	2P DOWN
1P LEFT	20	X	2P LEFT
1P RIGHT	21	Y	2P RIGHT
1P PS A	22	Z	2P PS A
NC	23	a	NC
NC	24	b	NC
NC	25	c	NC
NC	26	d	NC
GND	27	e	GND
GND	28	f	GND

DRAWN KANEOKA	TAITO CORPORATION		
DESIGN 5.11.89	NAME MAIN P.C BOARD		
CHECK <i>K. Murata</i>	SCHEMATIC DIAGRAM		
APPROVED	SIZE CODE A3	DWG. NO. FLIPULL	W5100327A
APPROVED	SCALE 1 / 1	RELEASE DATE '89. 3.13	SHEET 7 / 7