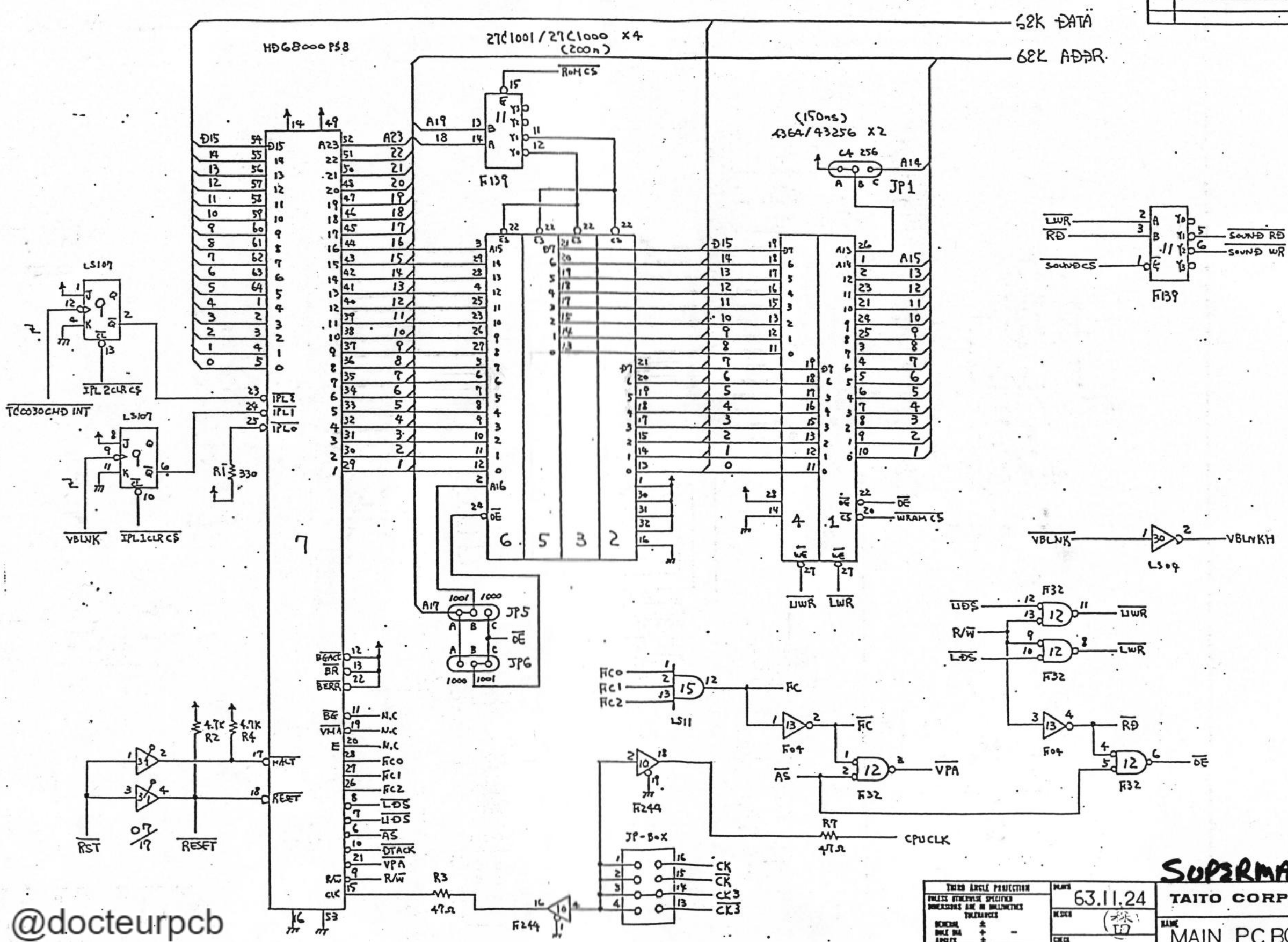


REVISIONS			
LTR	DESCRIPTION	DATE	APPROVED

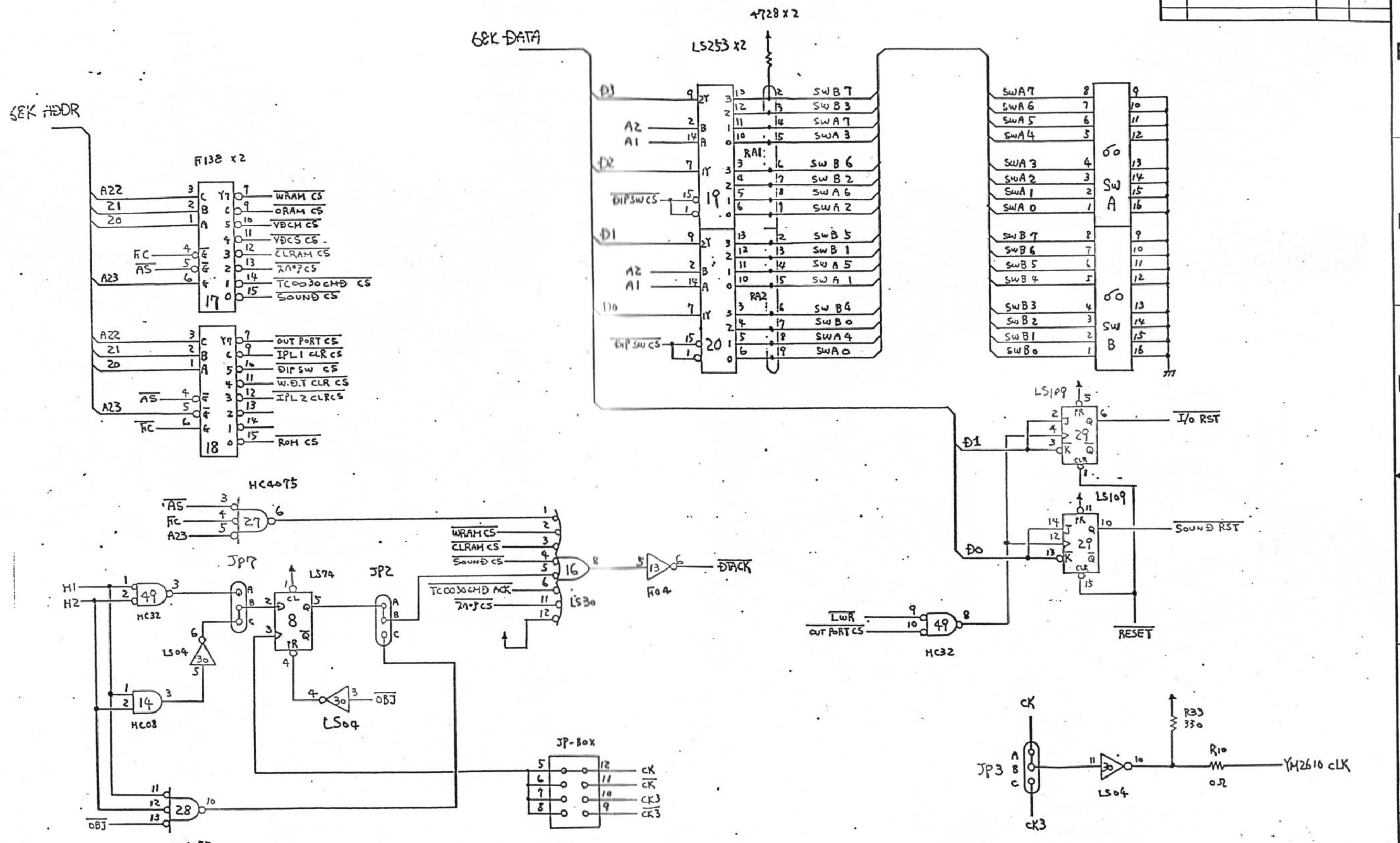


@docteurpcb

SUPERMAN

THIRD ANGLE PROJECTION	DATE	63.11.24	TAITO CORPORATION
TOLERANCE SPECIFIED	NO. OF SHEETS	1/1	
TOLERANCE SPECIFIED	NO. OF SHEETS	1/1	NAME
GENERAL TOLERANCES			MAIN PC BOARD Ass'y
FINISH			SCHMATIC DIAGRAM
DO NOT SCALE DRAWING			SIZE
			A3 SUPERMAN W5100307A
			SCALE
			RELEASE DATE
			SHEET 1/10

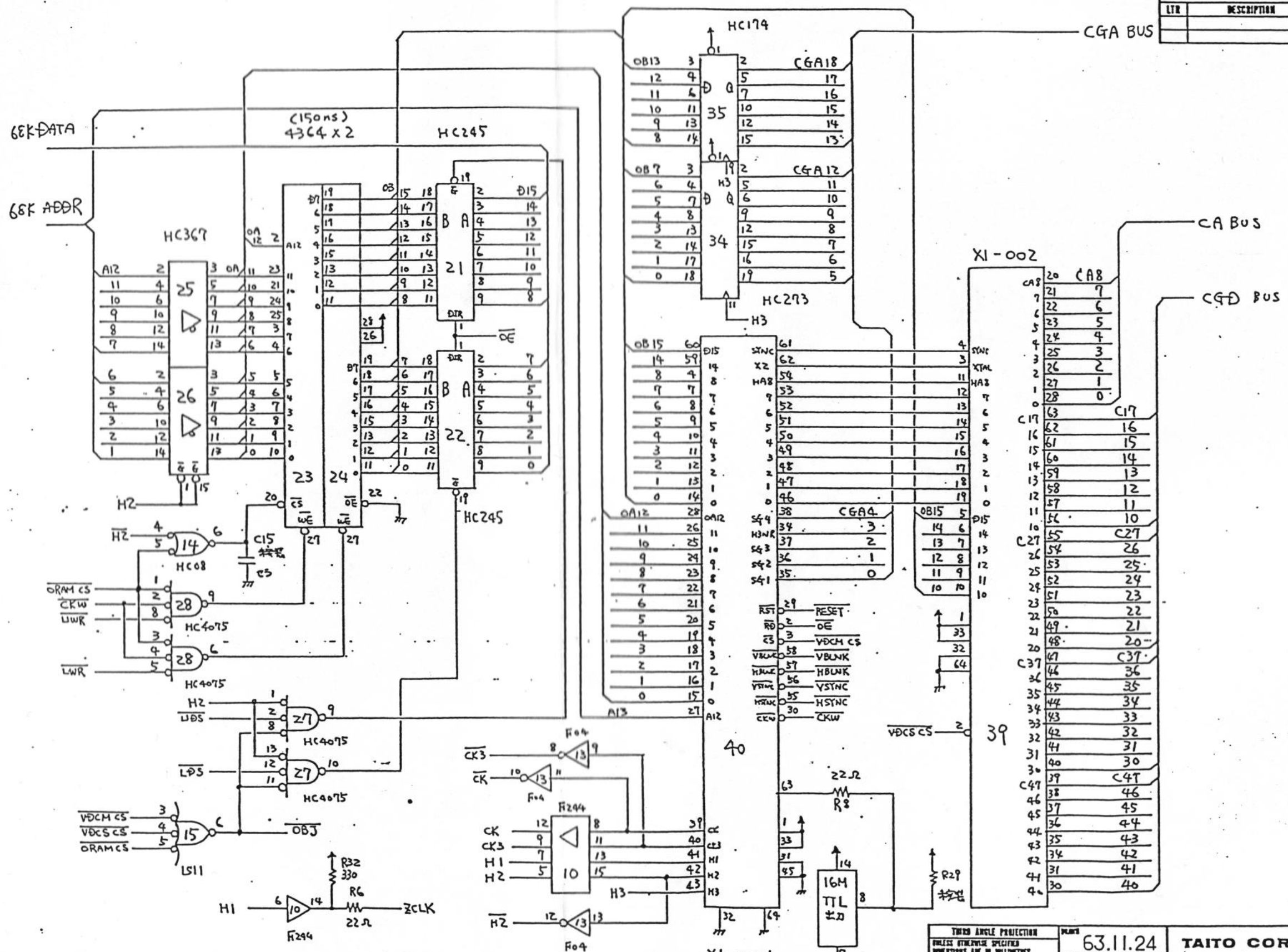
REVISIONS			
LTR	DESCRIPTION	DATE	APPROVED



@docteurpcb

THIRD ANGLE PROJECTION UNLESS OTHERWISE SPECIFIED DIMENSIONS ARE IN MILLIMETERS TOLERANCES	PLANE 63.11.24	TAITO CORPORATION	
GENERAL ±	DESIGN	NAME	
HOLE DIA +	CHECK	MAIN PC BOARD Ass'y	
ANGLES ±	APPROVED	SCHEMATIC DIAGRAM	
MATERIAL	APPROVED	SIZE	DATE
FINISH	APPROVED	A3	W5100307A
DO NOT SCALE DRAWING	APPROVED	SCALE	RELEASE DATE
			SHEET 2/10

REVISIONS			
LTR	DESCRIPTION	DATE	APPROVED

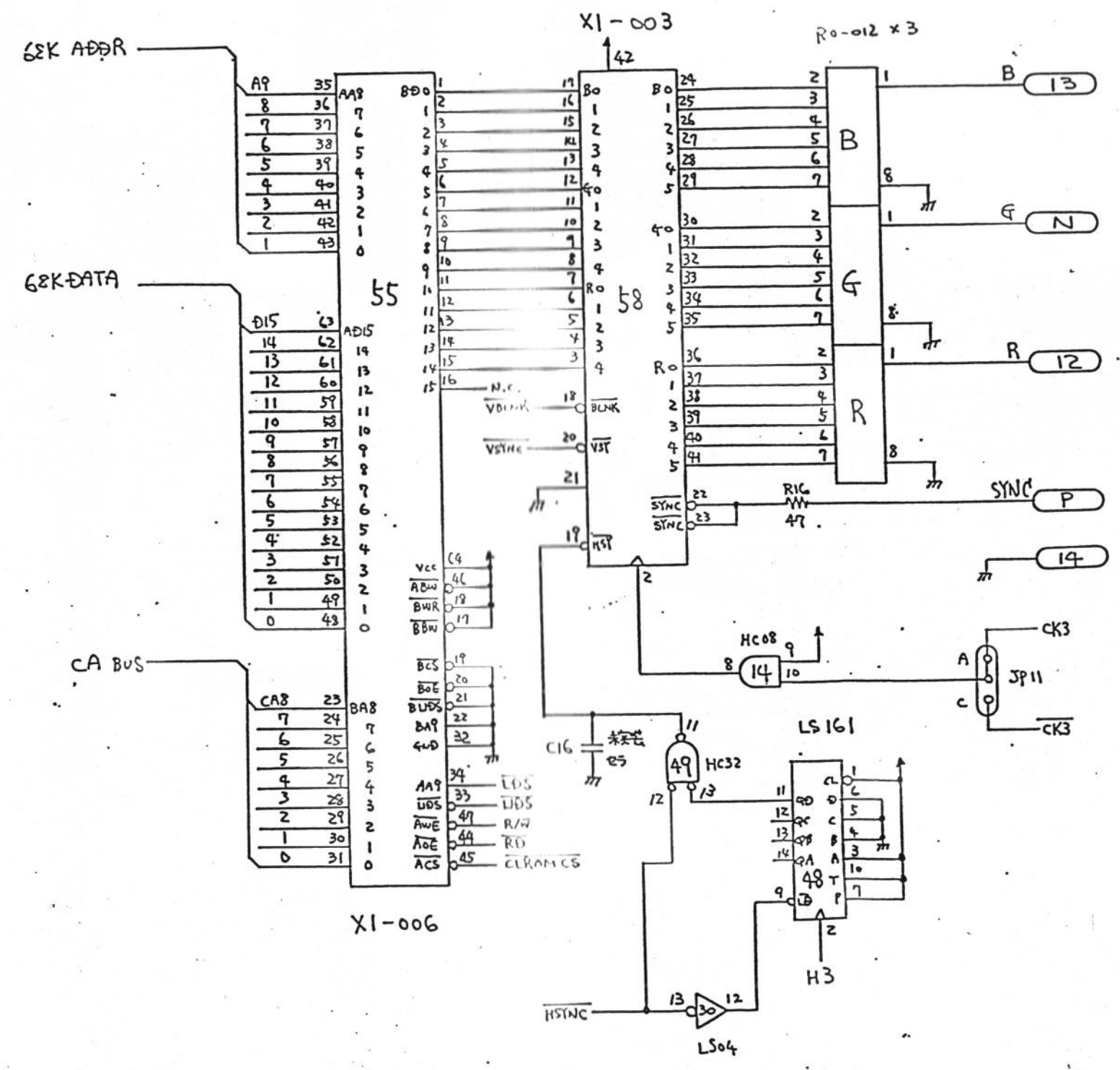


@docteurpcb

THIRD ANGLE PROJECTION UNLESS OTHERWISE SPECIFIED DIMENSIONS ARE IN MILLIMETERS TOLERANCES	DATE 63.11.24	TAITO CORPORATION	
GENERAL ± HOLE DIA ± ANGLES ±	DESIGNER (Signature)	NAME MAIN PC BOARD Assy	
MATERIAL	CHECKER (Signature)	SCHEMATIC DIAGRAM	
FINISH	APPROVED	SIZE A3 SUPER MAN	DWG. NO. W5100307A
DO NOT SCALE DRAWING	APPROVED	SCALE	RELEASE DATE

F
E
D
C
B
A

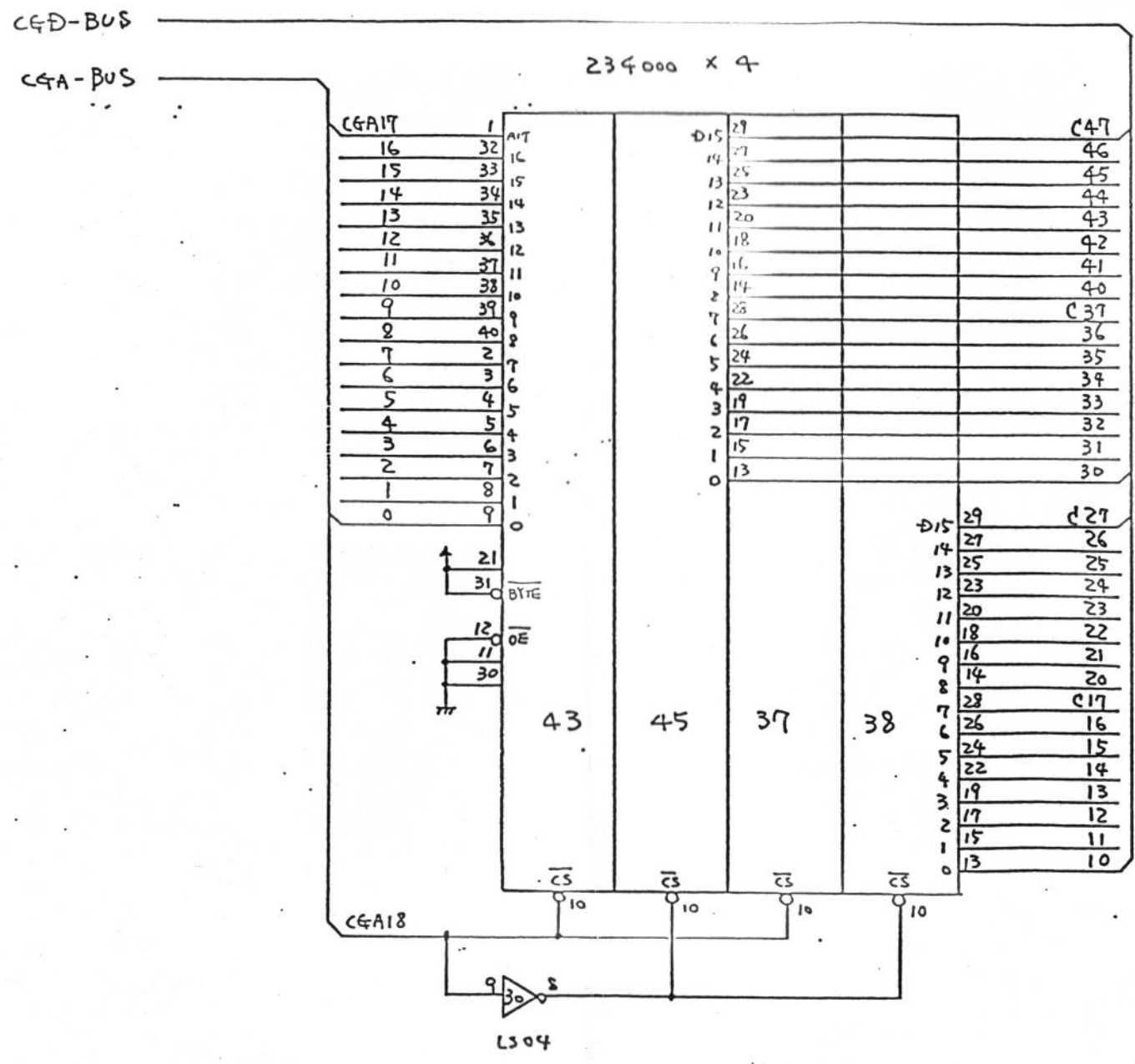
REVISIONS			
LT#	DESCRIPTION	DATE	APPROVED



@docteurpcb

THIRD ANGLE PROJECTION UNLESS OTHERWISE SPECIFIED DIMENSIONS ARE IN MILLIMETERS TOLERANCES	DATE 63.11.24	TAITO CORPORATION
GENERAL ±	DESIGNER	NAME
HOLE DIA +	CHECKER	MAIN PC BOARD Ass'y
HOLES ±	APPROVED	SCHEMATIC DIAGRAM
MATERIAL	APPROVED	SIZE
FINISH	APPROVED	A3 SUPER
DO NOT SCALE DRAWING	SCALE	MAN W5100307A
	RELEASE DATE	SHEET 4/10

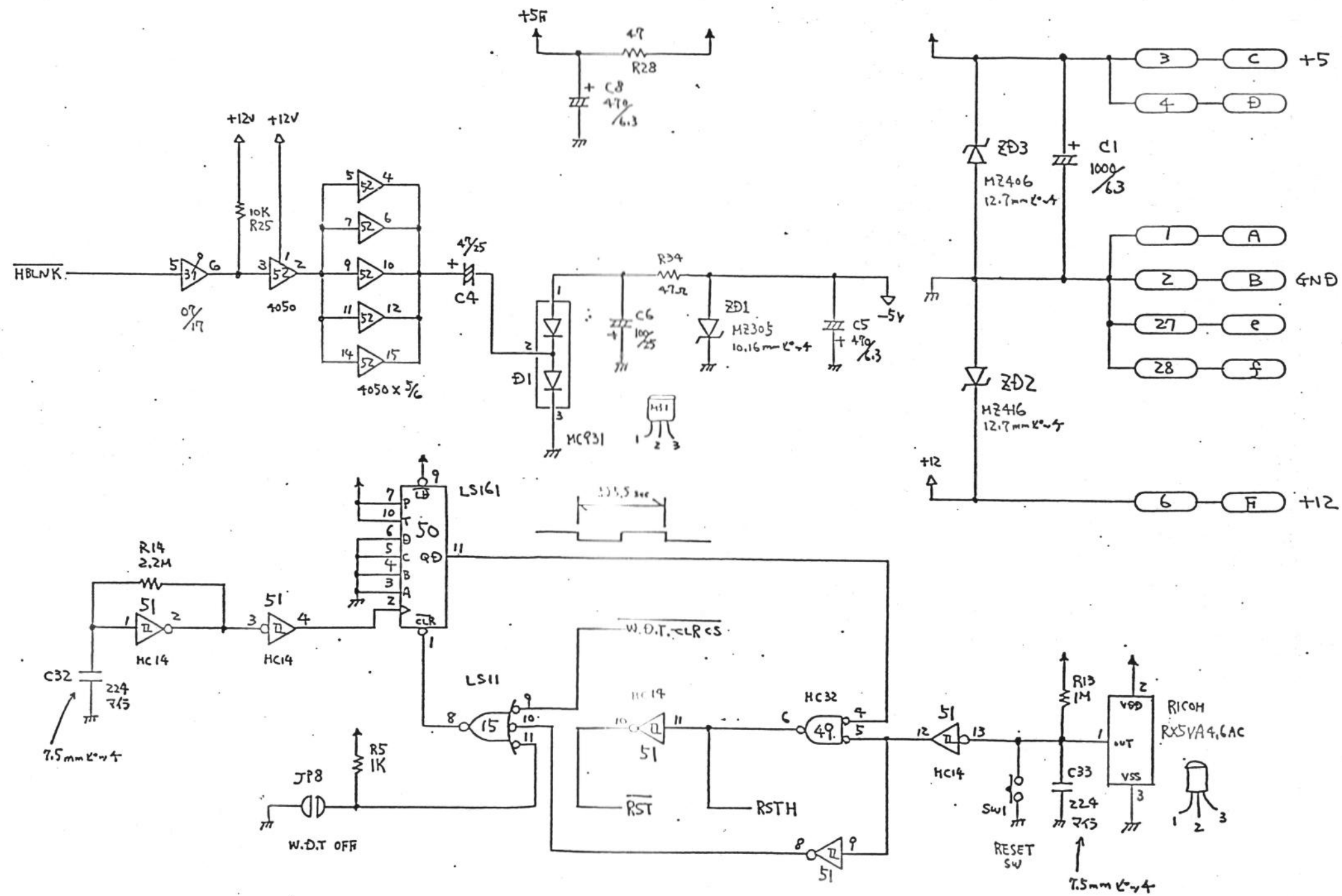
REVISIONS			
LTR	DESCRIPTION	DATE	APPROVED



@docteurpcb

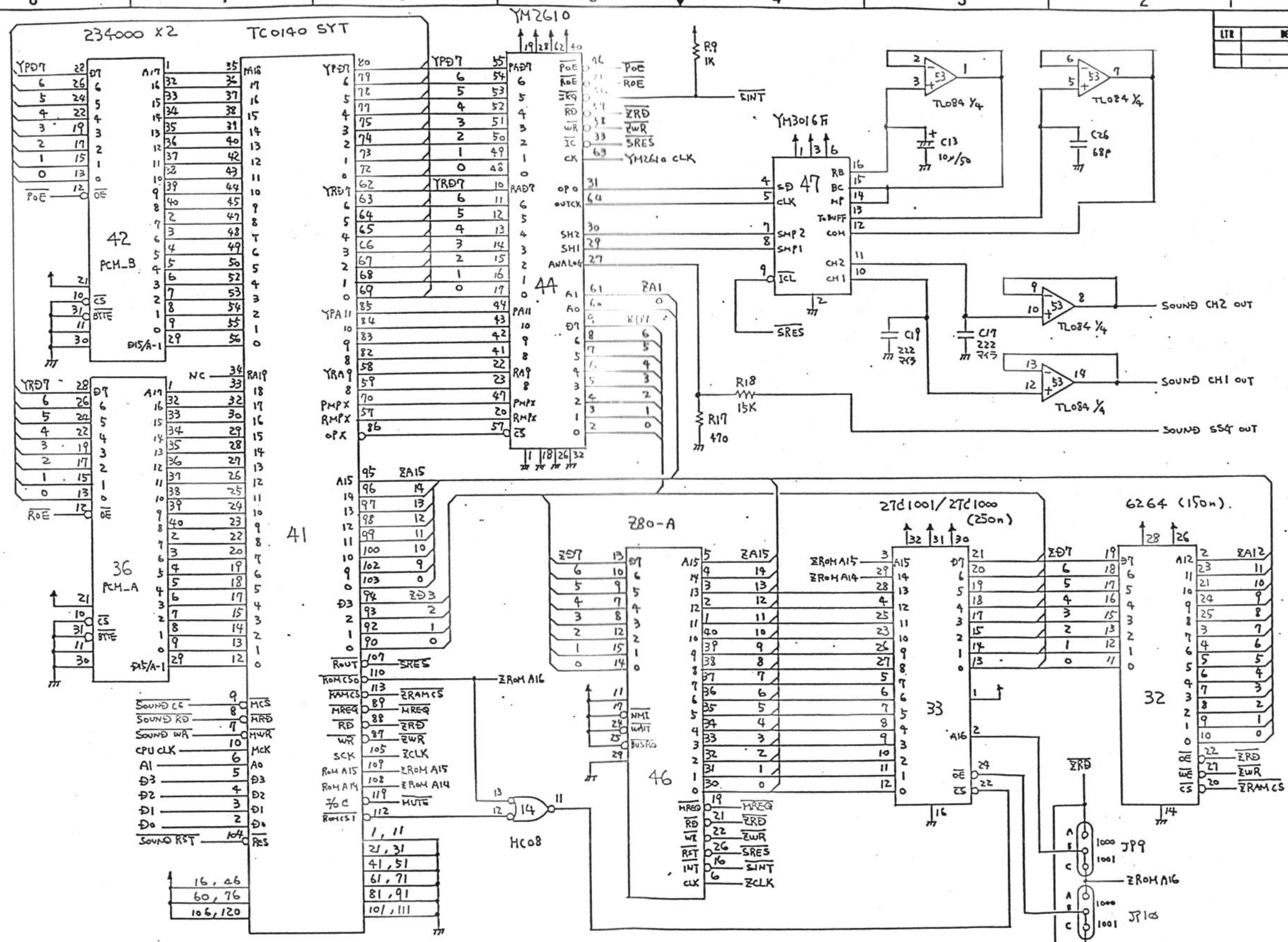
THIRD ANGLE PROJECTION UNLESS OTHERWISE SPECIFIED DIMENSIONS ARE IN MILLIMETERS TOLERANCES	DATE 63.11.24	TAITO CORPORATION	
GENERAL ±	DESIGNER	NAME MAIN PC BOARD Assy	
HOLE DIA ±	CHECKER	SCHEMATIC DIAGRAM	
HOLE ±	APPROVER	SIZE A3	REV. NO. MAN W5100307A
MATERIAL	APPROVER	SCALE	RELEASE DATE
FINISH	APPROVER	SHEET 5/10	
DO NOT SCALE DRAWING			

REVISIONS			
LTN	DESCRIPTION	DATE	APPROVED



@docteurpcb

THIRD ANGLE PROJECTION UNLESS OTHERWISE SPECIFIED DIMENSIONS ARE IN MILLIMETERS TOLERANCES	DATE 63.11.24	TAITO CORPORATION	
GENERAL ± HOLE DIA ± ANGLES ± -	DESIGN	NAME MAIN PC BOARD Assy	A
MATERIAL	CHECK	SCHEMATIC DIAGRAM	
FINISH	APPROVED	SIZE A3	MAN SUPER
DO NOT SCALE DRAWING	APPROVED	SCALE	W5100307A
		RELEASE DATE	SHEET 7/10

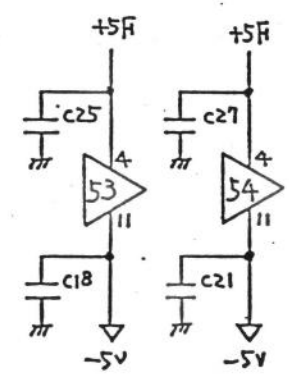
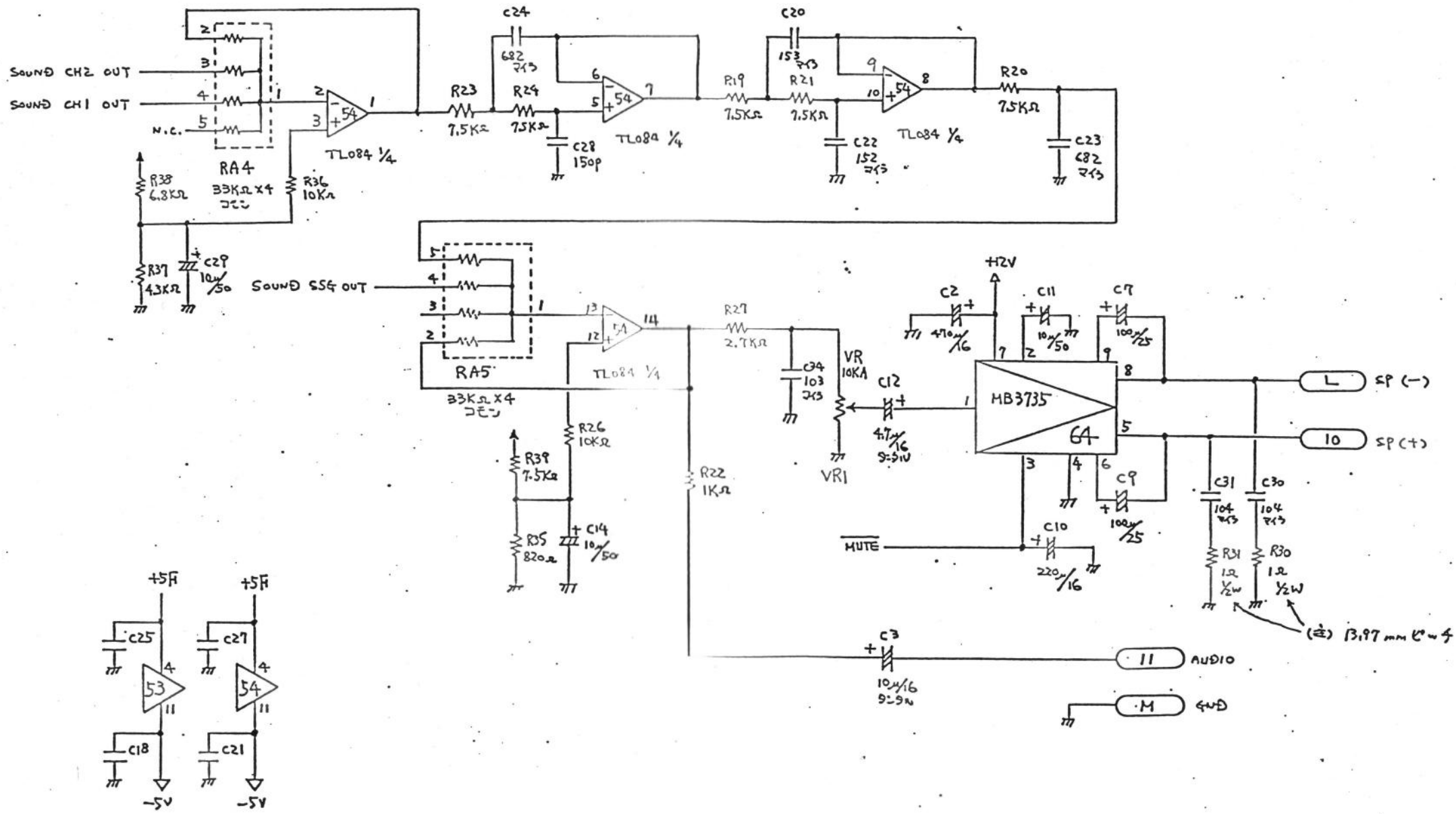


REVISIONS			
LTR	DESCRIPTION	DATE	APPROVED

@docteurpcb

THIRD ANGLE PROJECTION UNLESS OTHERWISE SPECIFIED DIMENSIONS ARE IN MILLIMETRES TOLERANCES	DATE 63.11.24	TAITO CORPORATION	
GENERAL ±	DESIGN	NAME	
HOLE DIA ±	CHECK	MAIN PC BOARD Assy	
ANGLES ±	APPROVED	SCHEMATIC DIAGRAM	
MATERIAL	APPROVED	SIZE	SCALE
FINISH	APPROVED	A3	W5100307A
DO NOT SCALE DRAWING	APPROVED	SCALE	SHEET 8/10

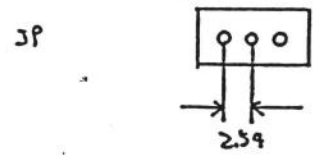
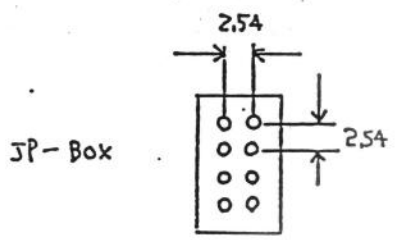
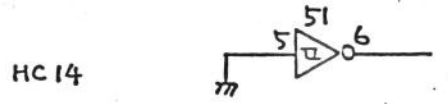
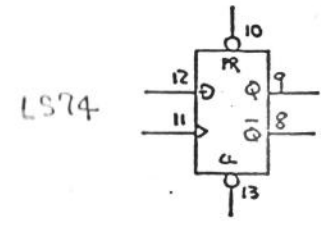
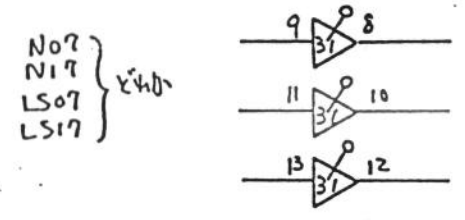
REVISIONS			
LTR	DESCRIPTION	DATE	APPROVED



@docteurpcb

THIRD ANGLE PROJECTION UNLESS OTHERWISE SPECIFIED DIMENSIONS ARE IN MILLIMETRES	DATE 63.11.24	TAITO CORPORATION
TOLERANCES GENERAL ± HOLE DIA + ANGLES ±	DESIGN (Signature)	NAME MAIN PC BOARD Assy
MATERIAL	CHECK (Signature)	SCHEMATIC DIAGRAM
FINISH	APPROVED	SIZE A3
DO NOT SCALE DRAWING	APPROVED	QTY. REQ. SUPER MAN
		PWC. NO. W5100307A
		SCALE
		RELEASE DATE
		SHEET 9/10

REVISIONS			
LTR	DESCRIPTION	DATE	APPROVED



特に指定のないジャンパ → 5mm 幅
 特に指定のない接続 → 6.36mm 幅

@docteurpcb

THIRD ANGLE PROJECTION	DATE 63.11.24	TAITO CORPORATION	
UNLESS OTHERWISE SPECIFIED DIMENSIONS ARE IN MILLIMETERS	DESIGN	NAME MAIN PC BOARD Assy	
TOLERANCES	CHECK	SCHEMATIC DIAGRAM	
GENERAL ±	APPROVED	SIZE A3	DATE 63.11.24
HOLE DIA +	APPROVED	SCALE MAN	FIG. NO. W5100307A
ANGLES ±	APPROVED	RELEASE DATE	SHEET 10/10
MATERIAL	DO NOT SCALE DRAWING		