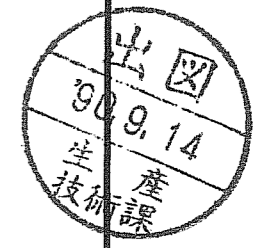
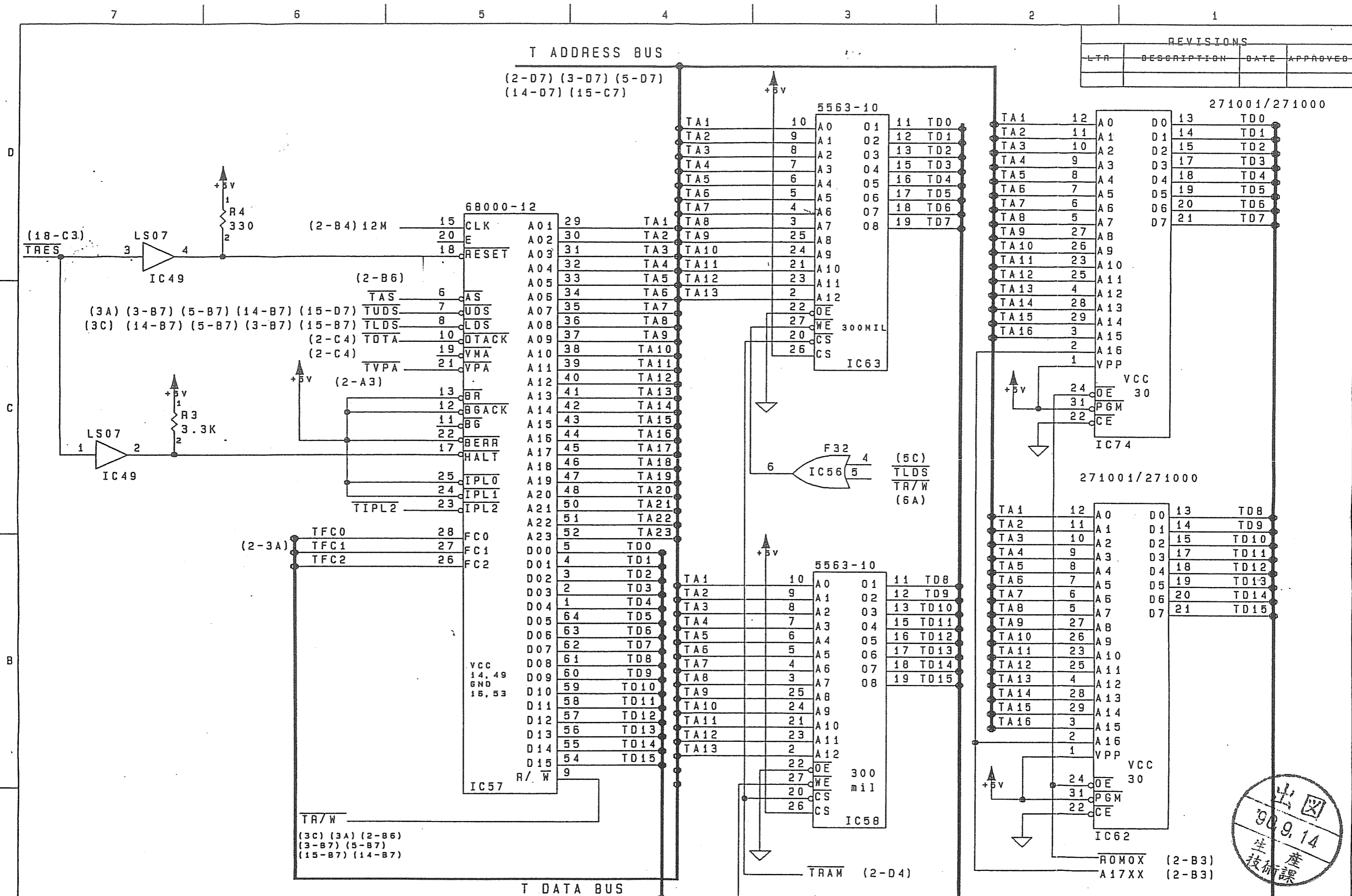
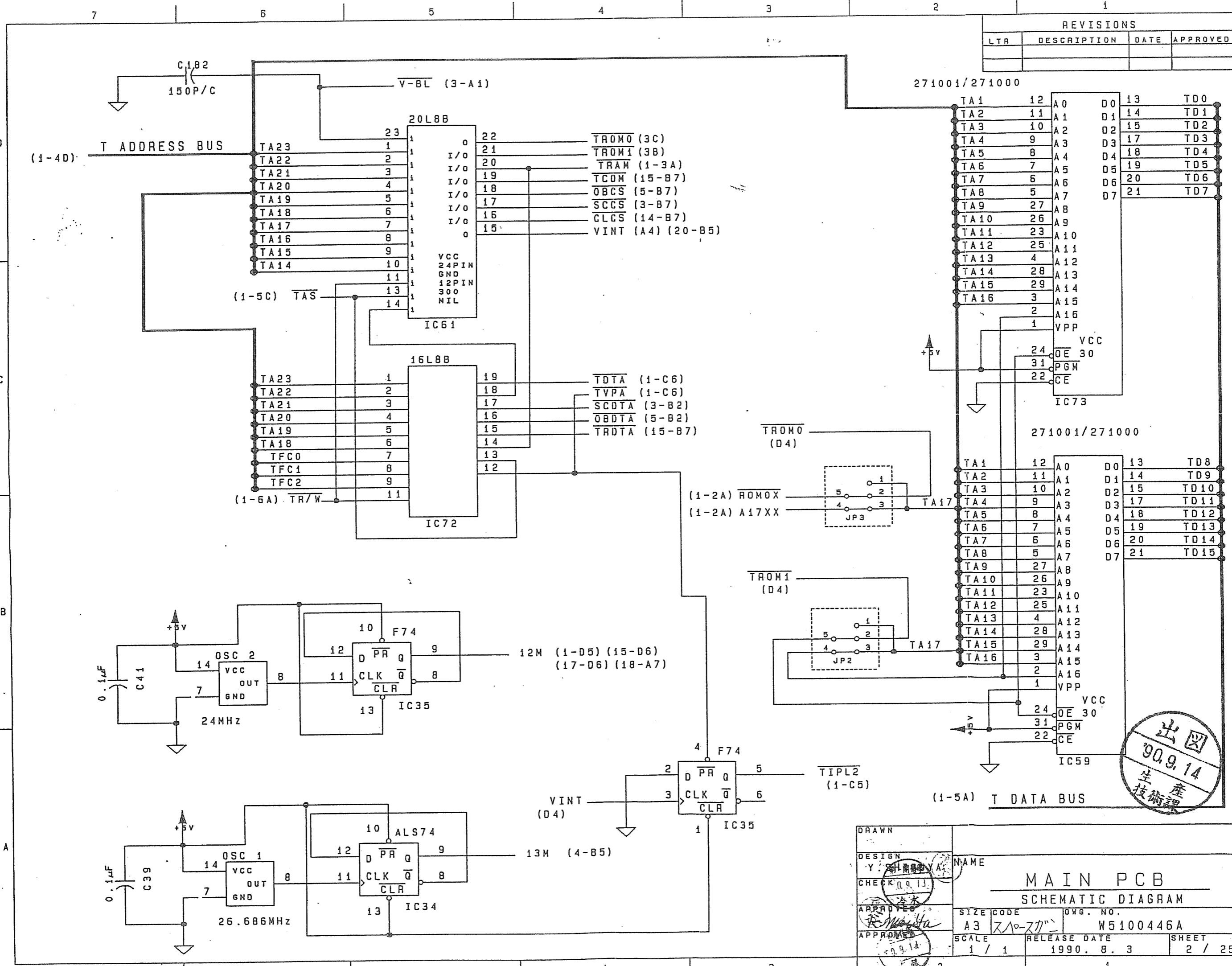


REVISIONS			
LTR	DESCRIPTION	DATE	APPROVED



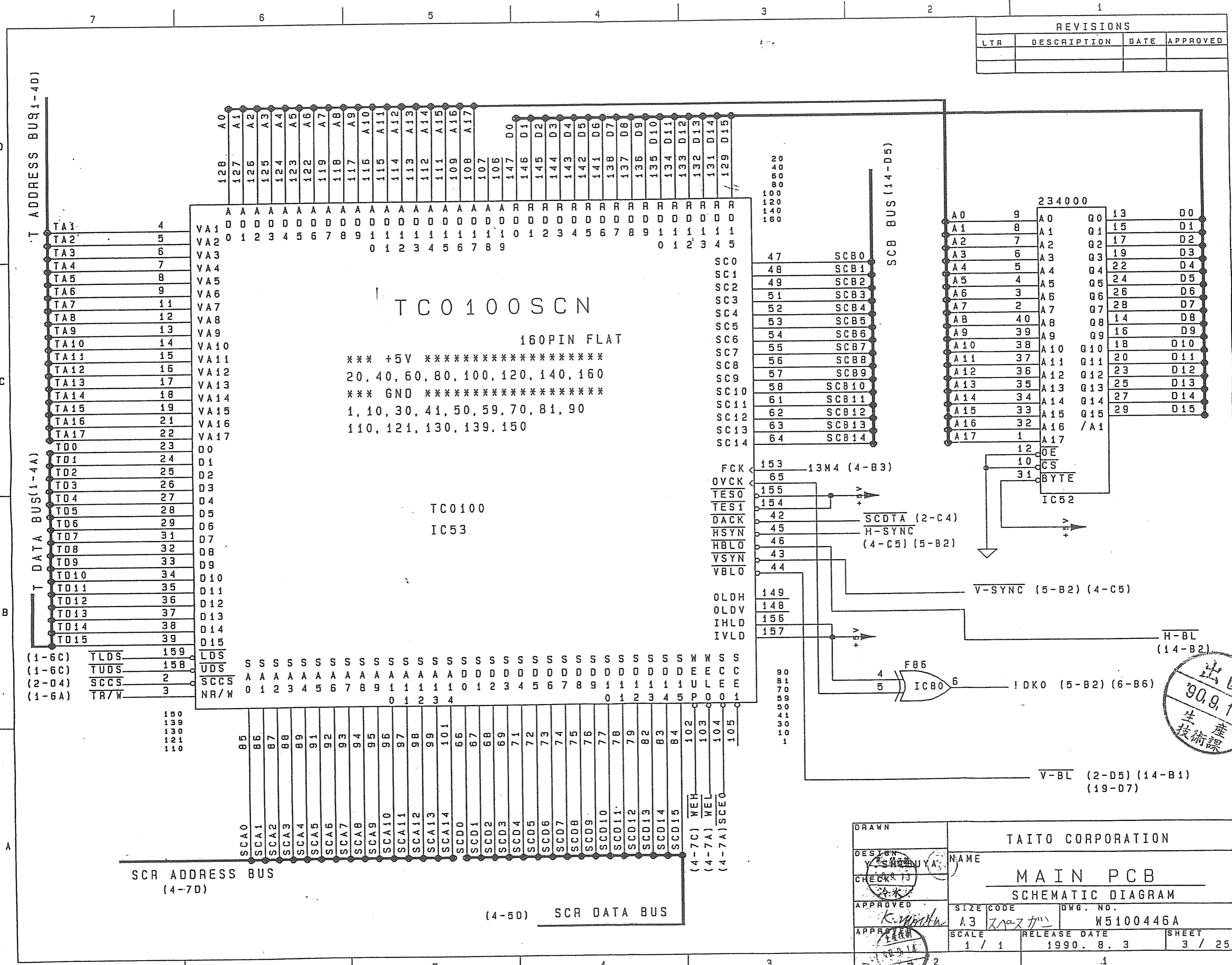
DRAWN		TAITO CORPORATION	
DESIGN	NAME	MAIN PCB	
CHECK	DATE	SCHEMATIC DIAGRAM	
APPROVED	SIZE CODE	DWG. NO.	W5100446A
APPROVED	SCALE	RELEASE DATE	SHEET
	1 / 1	1990. 8. 3	1 / 25

REVISIONS			
LTR	DESCRIPTION	DATE	APPROVED



DRAWN		NAME	
DESIGN	Y. [Signature]	MAIN PCB	
CHECK	0.9.13	SCHEMATIC DIAGRAM	
APPROVED	[Signature]	SIZE CODE	OWG. NO.
APPROVED	0.9.14	A3	W5100446A
SCALE		RELEASE DATE	SHEET
1 / 1		1990. 8. 3	2 / 25

REVISIONS			
LTR	DESCRIPTION	DATE	APPROVED



TC0100SCN
 160PIN FLAT
 *** +5V *****
 20, 40, 60, 80, 100, 120, 140, 160
 *** GND *****
 1, 10, 30, 41, 50, 59, 70, 81, 90
 110, 121, 130, 139, 150

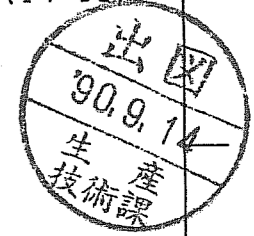
T DATA BUS(1-4A)	
TD0	23
TD1	24
TD2	25
TD3	26
TD4	27
TD5	28
TD6	29
TD7	31
TD8	32
TD9	33
TD10	34
TD11	35
TD12	36
TD13	37
TD14	38
TD15	39
(1-6C) TLDS	159
(1-6C) TUDS	158
(2-04) SCCS	2
(1-6A) TR/W	3

LDS		UDS		SCCS		NR/W	
S	S	A	A	0	0	0	0
S	S	A	A	1	1	1	1
S	S	A	A	2	2	2	2
S	S	A	A	3	3	3	3
S	S	A	A	4	4	4	4
S	S	A	A	5	5	5	5
S	S	A	A	6	6	6	6
S	S	A	A	7	7	7	7
S	S	A	A	8	8	8	8
S	S	A	A	9	9	9	9
S	S	A	A	10	10	10	10
S	S	A	A	11	11	11	11
S	S	A	A	12	12	12	12
S	S	A	A	13	13	13	13
S	S	A	A	14	14	14	14
S	S	A	A	15	15	15	15
S	S	A	A	16	16	16	16
S	S	A	A	17	17	17	17
S	S	A	A	18	18	18	18
S	S	A	A	19	19	19	19
S	S	A	A	20	20	20	20
S	S	A	A	21	21	21	21
S	S	A	A	22	22	22	22
S	S	A	A	23	23	23	23
S	S	A	A	24	24	24	24
S	S	A	A	25	25	25	25
S	S	A	A	26	26	26	26
S	S	A	A	27	27	27	27
S	S	A	A	28	28	28	28
S	S	A	A	29	29	29	29
S	S	A	A	30	30	30	30
S	S	A	A	31	31	31	31
S	S	A	A	32	32	32	32
S	S	A	A	33	33	33	33
S	S	A	A	34	34	34	34
S	S	A	A	35	35	35	35
S	S	A	A	36	36	36	36
S	S	A	A	37	37	37	37
S	S	A	A	38	38	38	38
S	S	A	A	39	39	39	39
S	S	A	A	40	40	40	40
S	S	A	A	41	41	41	41
S	S	A	A	42	42	42	42
S	S	A	A	43	43	43	43
S	S	A	A	44	44	44	44
S	S	A	A	45	45	45	45
S	S	A	A	46	46	46	46
S	S	A	A	47	47	47	47
S	S	A	A	48	48	48	48
S	S	A	A	49	49	49	49
S	S	A	A	50	50	50	50
S	S	A	A	51	51	51	51
S	S	A	A	52	52	52	52
S	S	A	A	53	53	53	53
S	S	A	A	54	54	54	54
S	S	A	A	55	55	55	55
S	S	A	A	56	56	56	56
S	S	A	A	57	57	57	57
S	S	A	A	58	58	58	58
S	S	A	A	59	59	59	59
S	S	A	A	60	60	60	60
S	S	A	A	61	61	61	61
S	S	A	A	62	62	62	62
S	S	A	A	63	63	63	63
S	S	A	A	64	64	64	64
S	S	A	A	65	65	65	65
S	S	A	A	66	66	66	66
S	S	A	A	67	67	67	67
S	S	A	A	68	68	68	68
S	S	A	A	69	69	69	69
S	S	A	A	70	70	70	70
S	S	A	A	71	71	71	71
S	S	A	A	72	72	72	72
S	S	A	A	73	73	73	73
S	S	A	A	74	74	74	74
S	S	A	A	75	75	75	75
S	S	A	A	76	76	76	76
S	S	A	A	77	77	77	77
S	S	A	A	78	78	78	78
S	S	A	A	79	79	79	79
S	S	A	A	80	80	80	80
S	S	A	A	81	81	81	81
S	S	A	A	82	82	82	82
S	S	A	A	83	83	83	83
S	S	A	A	84	84	84	84
S	S	A	A	85	85	85	85
S	S	A	A	86	86	86	86
S	S	A	A	87	87	87	87
S	S	A	A	88	88	88	88
S	S	A	A	89	89	89	89
S	S	A	A	90	90	90	90
S	S	A	A	91	91	91	91
S	S	A	A	92	92	92	92
S	S	A	A	93	93	93	93
S	S	A	A	94	94	94	94
S	S	A	A	95	95	95	95
S	S	A	A	96	96	96	96
S	S	A	A	97	97	97	97
S	S	A	A	98	98	98	98
S	S	A	A	99	99	99	99
S	S	A	A	100	100	100	100
S	S	A	A	101	101	101	101
S	S	A	A	102	102	102	102
S	S	A	A	103	103	103	103
S	S	A	A	104	104	104	104
S	S	A	A	105	105	105	105

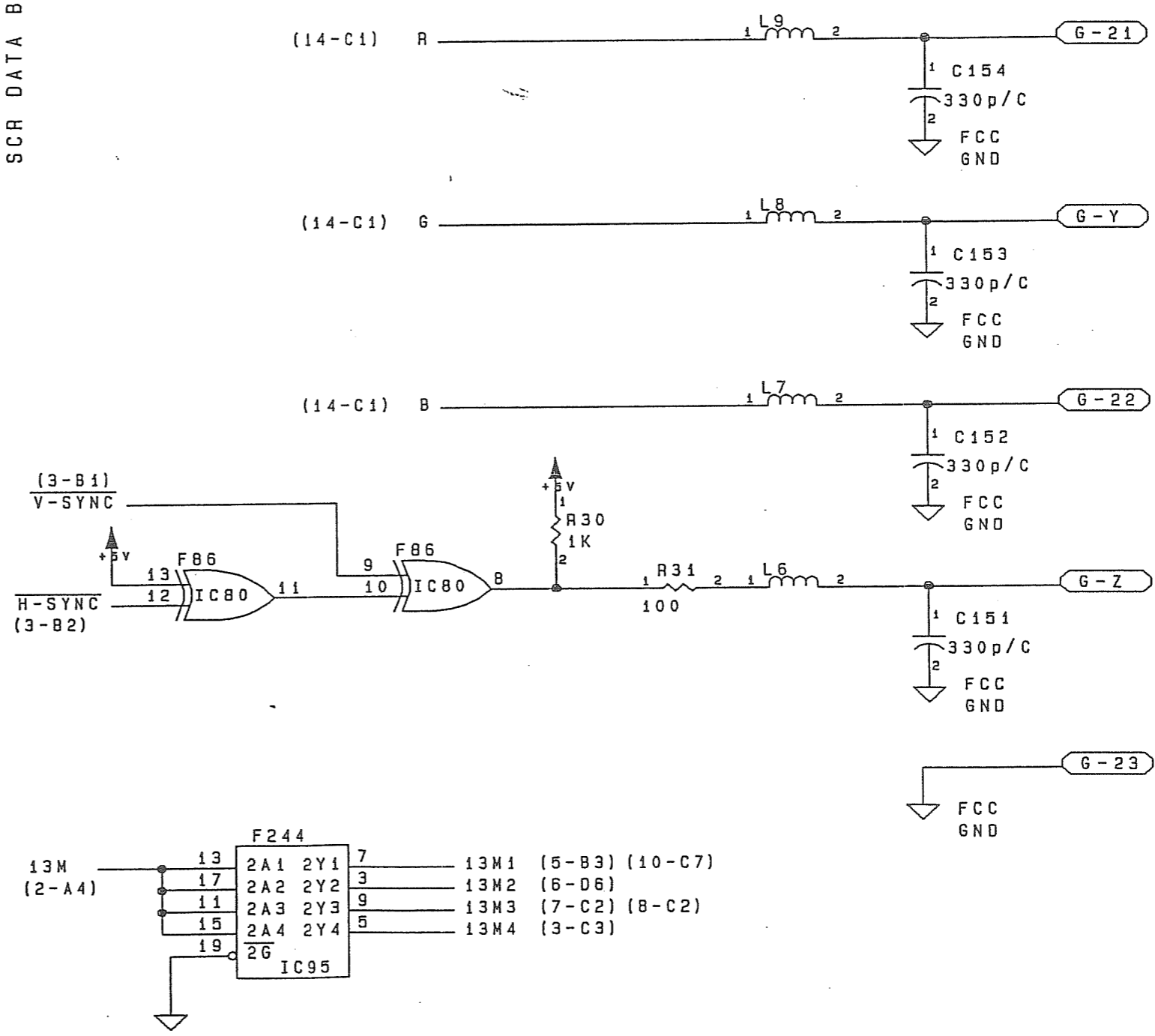
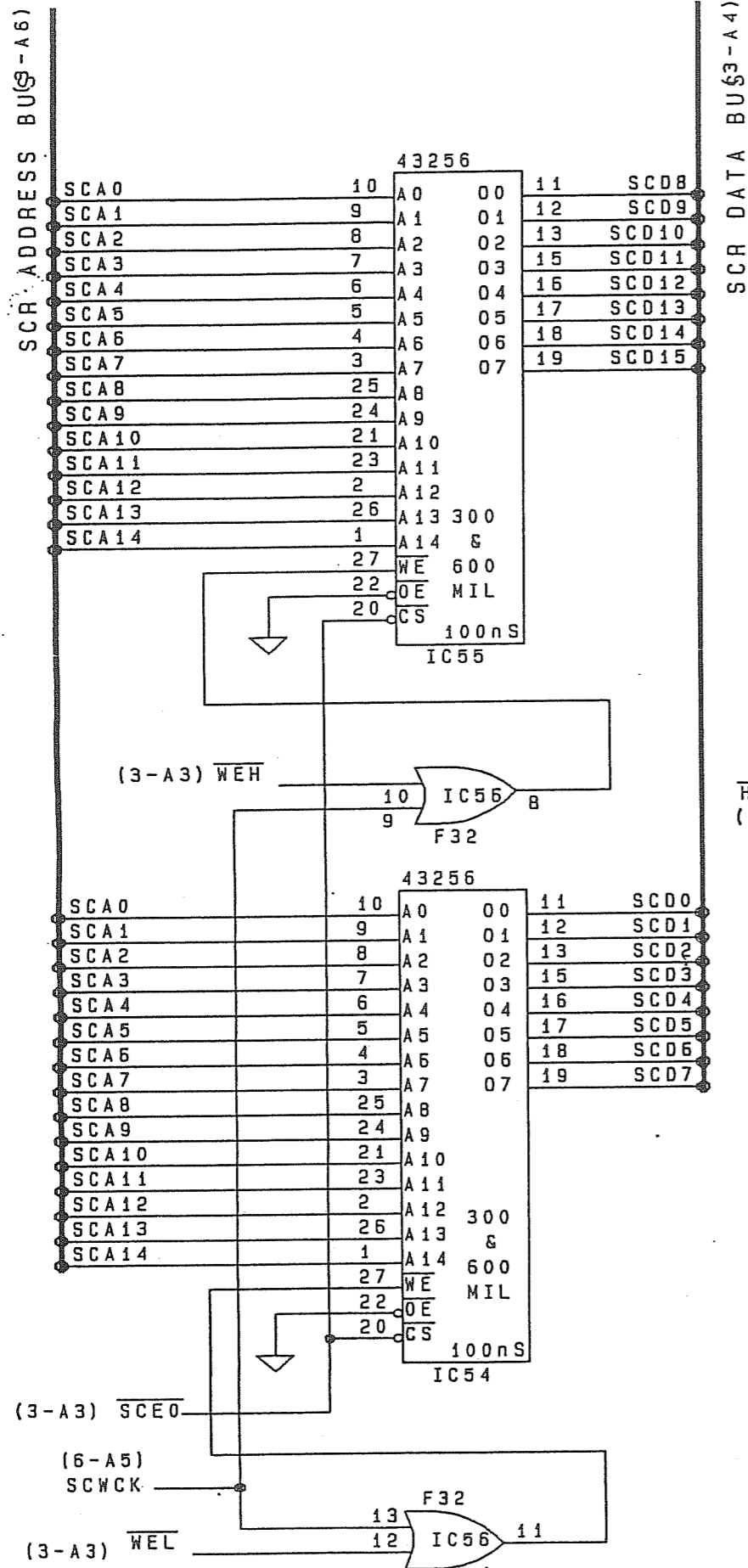
SCR ADDRESS BUS
(4-7D)

(4-5D) SCR DATA BUS

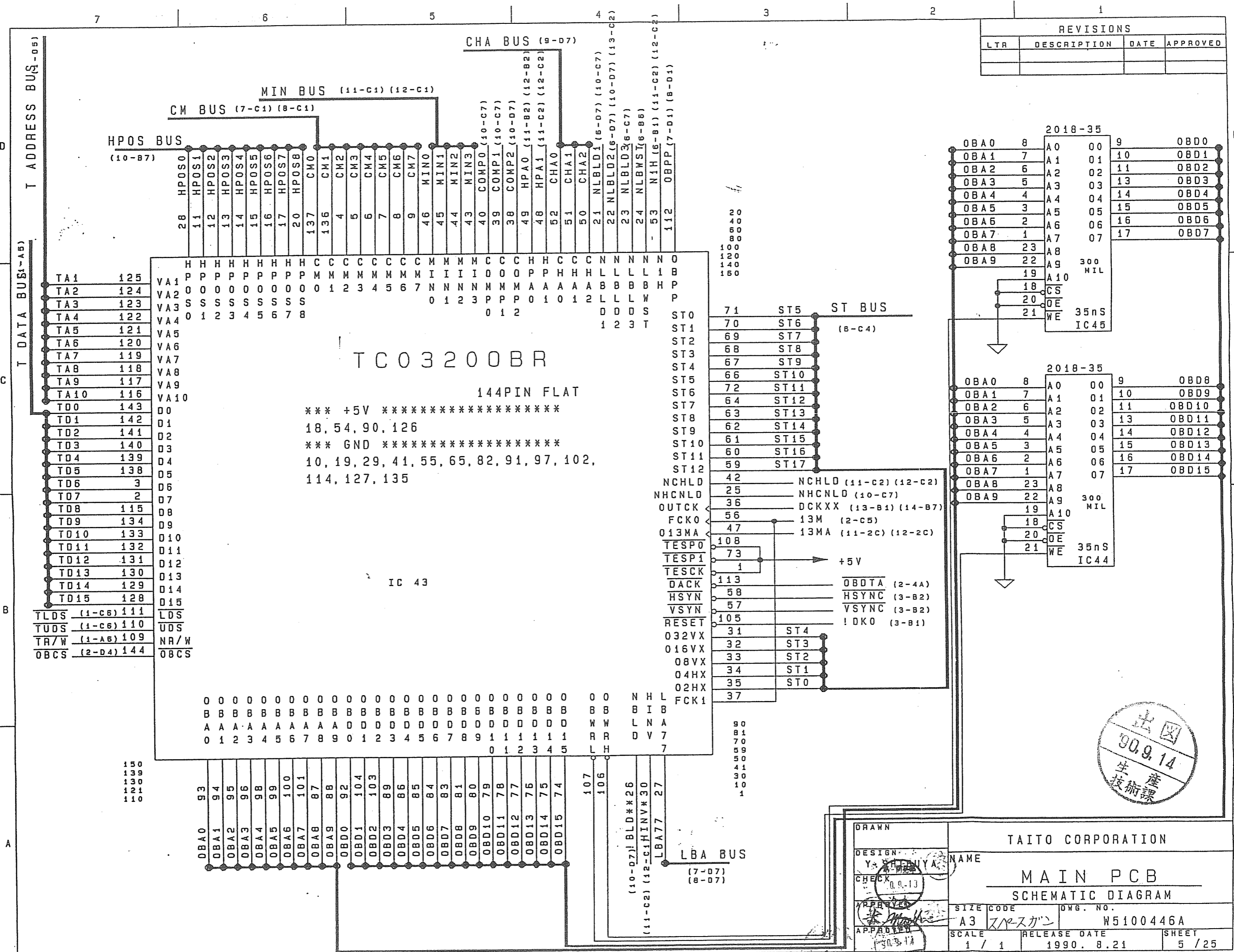
DRAWN		TAITO CORPORATION	
DESIGN	NAME	MAIN PCB	
CHECK	SCALE	SCHEMATIC DIAGRAM	
APPROVED	SIZE	DWG. NO.	W5100446A
APPROVED	SCALE	RELEASE DATE	1990. 8. 3
APPROVED	SCALE	SHEET	3 / 25



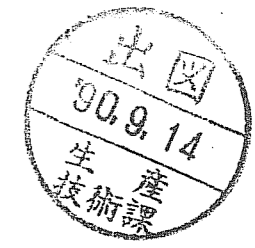
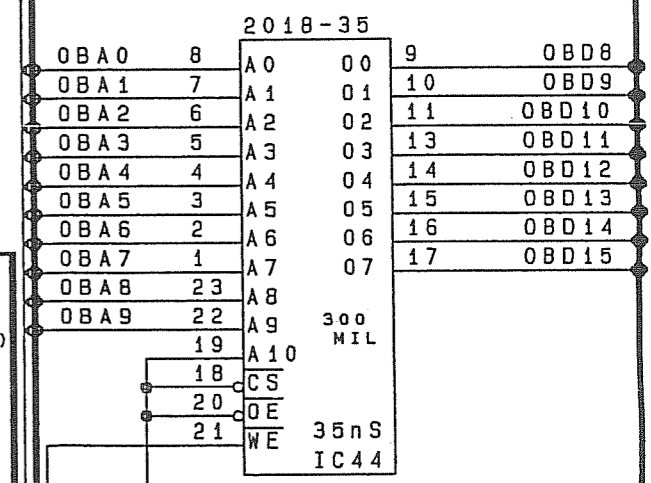
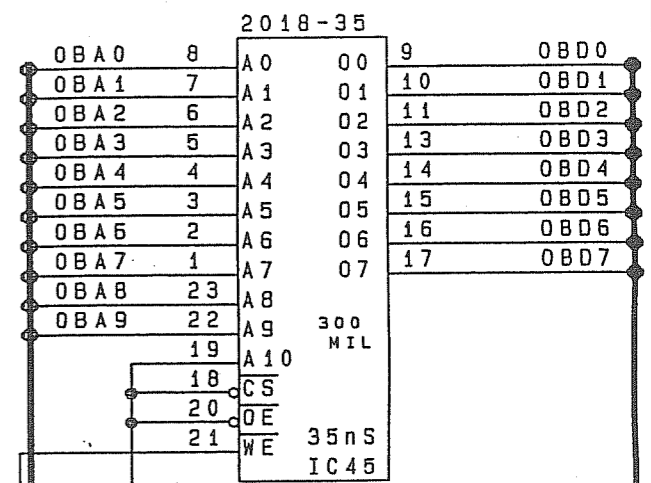
REVISIONS			
LTR	DESCRIPTION	DATE	APPROVED



DRAWN		TAITO CORPORATION	
DESIGN NAME		MAIN PCB	
CHECK 0.9.13		SCHEMATIC DIAGRAM	
APPROVED	SIZE CODE	DWG. NO.	
	A3	W5100446A	
APPROVED	SCALE	RELEASE DATE	SHEET
	1/1	1990. 8. 3	4 / 25

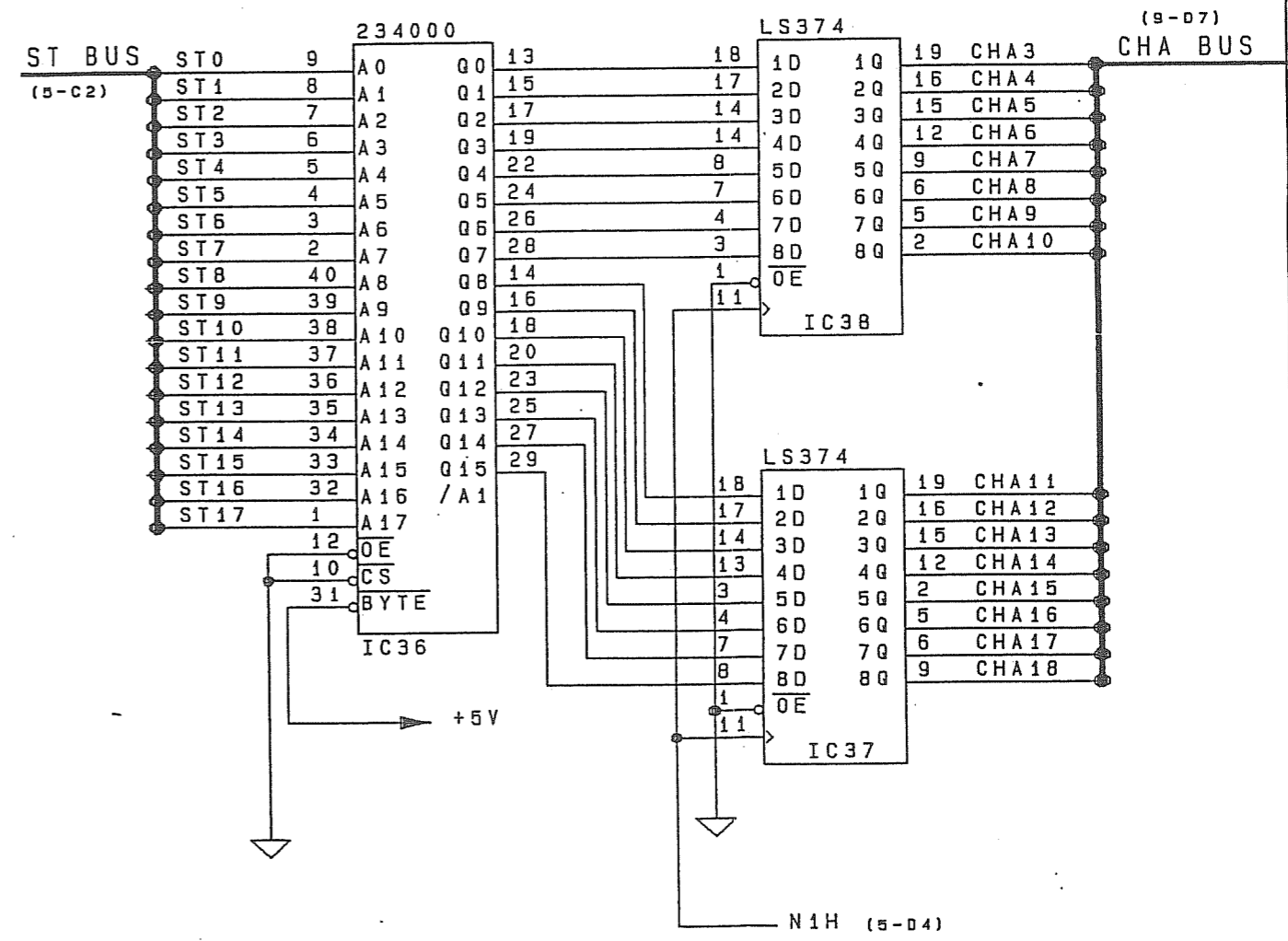
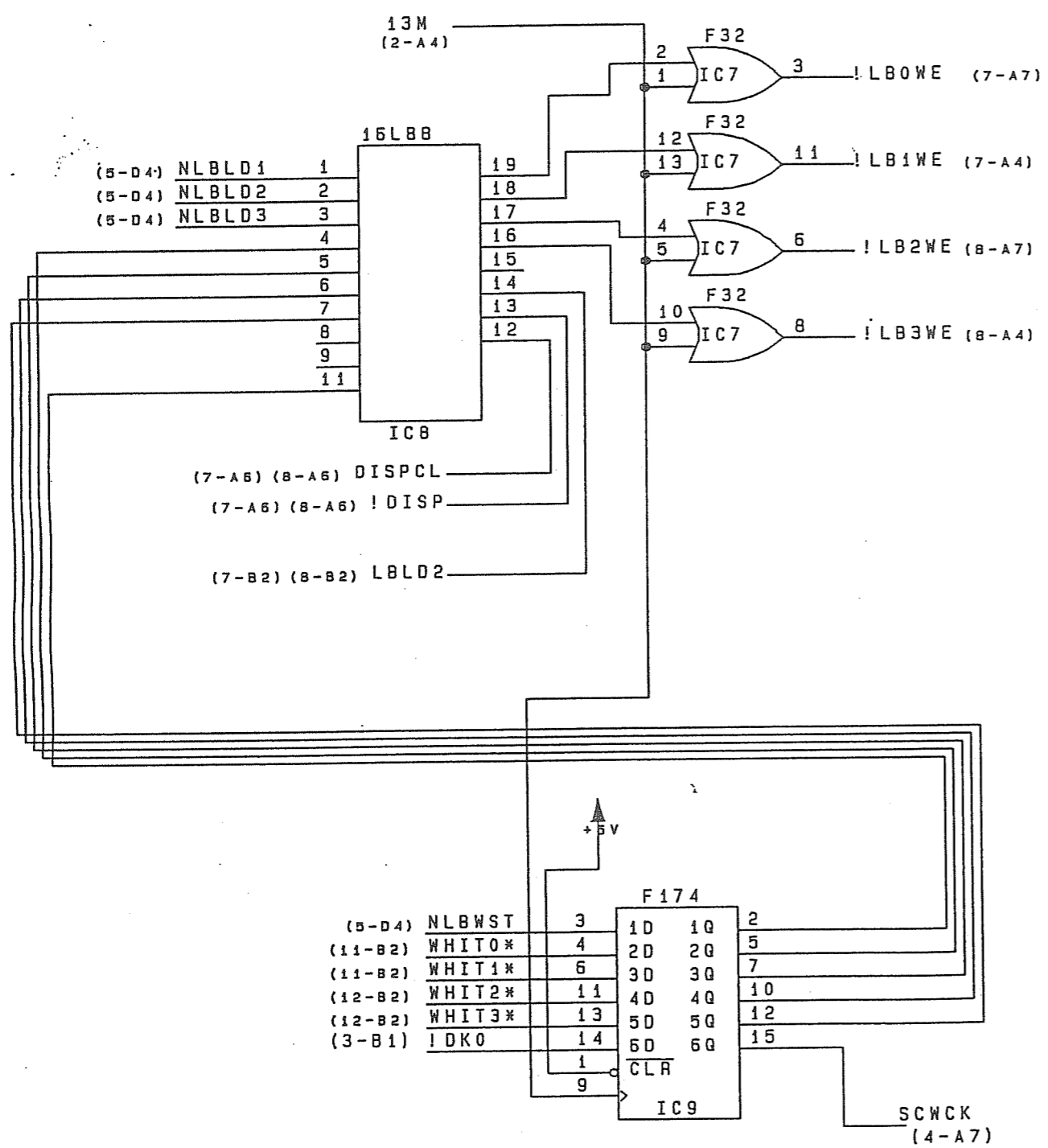


REVISIONS			
LTR	DESCRIPTION	DATE	APPROVED

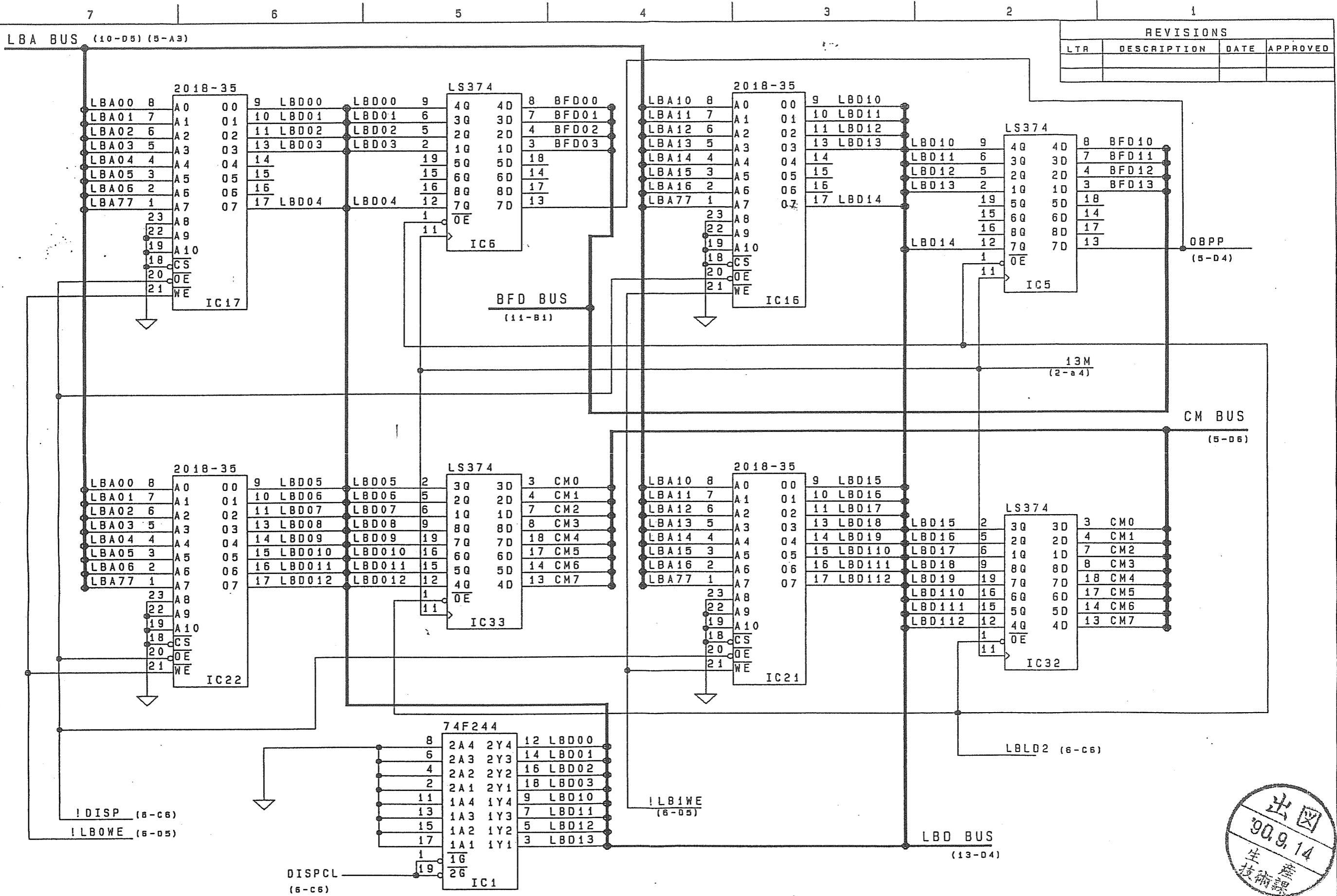


DRAWN		TAITO CORPORATION	
DESIGN	Y. SHENYA	NAME	MAIN PCB
CHECK	0.9.13	SIZE CODE	A3 スラスカン
APPROVED	[Signature]	DWG. NO.	W5100446A
APPRIETED	0.9.14	SCALE	1 / 1
		RELEASE DATE	1990. 8.21
		SHEET	5 / 25

REVISIONS			
LTR	DESCRIPTION	DATE	APPROVED



DRAWN	TAITO CORPORATION		
DESIGN Y. SHIBATA	NAME	MAIN PCB	
CHECKED	SCHEMATIC DIAGRAM		
APPROVED <i>R. Mouta</i>	SIZE CODE A3	DWG. NO. W5100446A	
APPROVED <i>90.9.14</i>	SCALE 1 / 1	RELEASE DATE 1990. 8. 3	SHEET 6 / 25



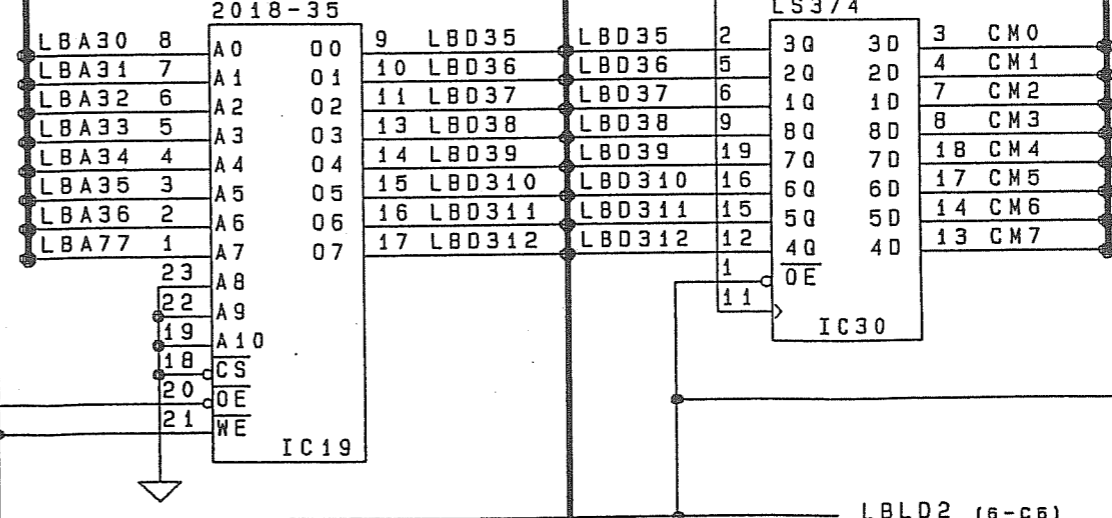
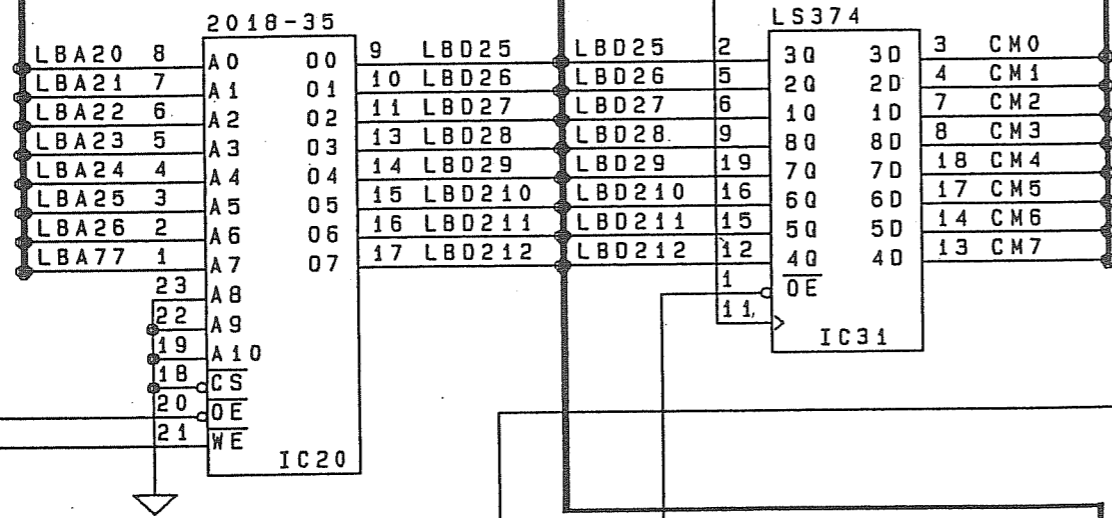
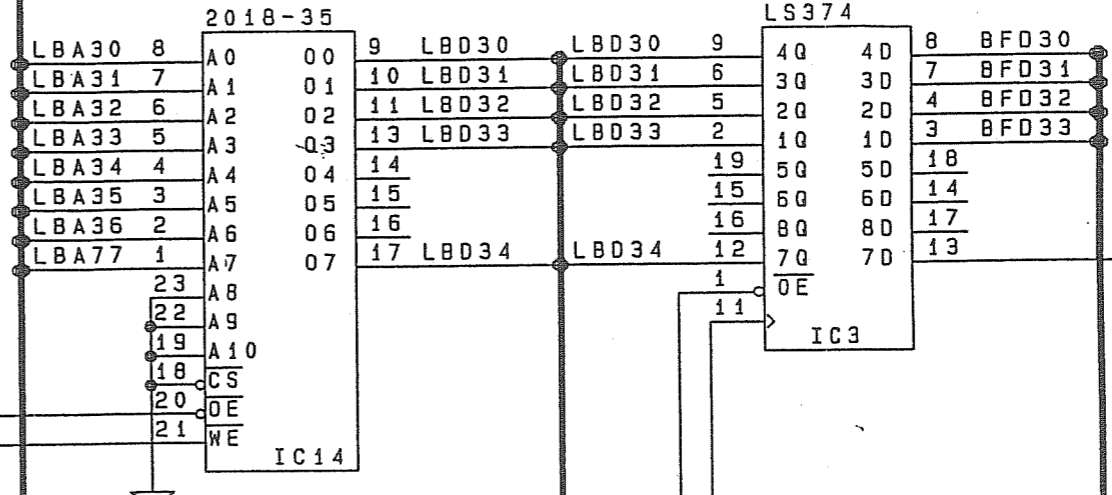
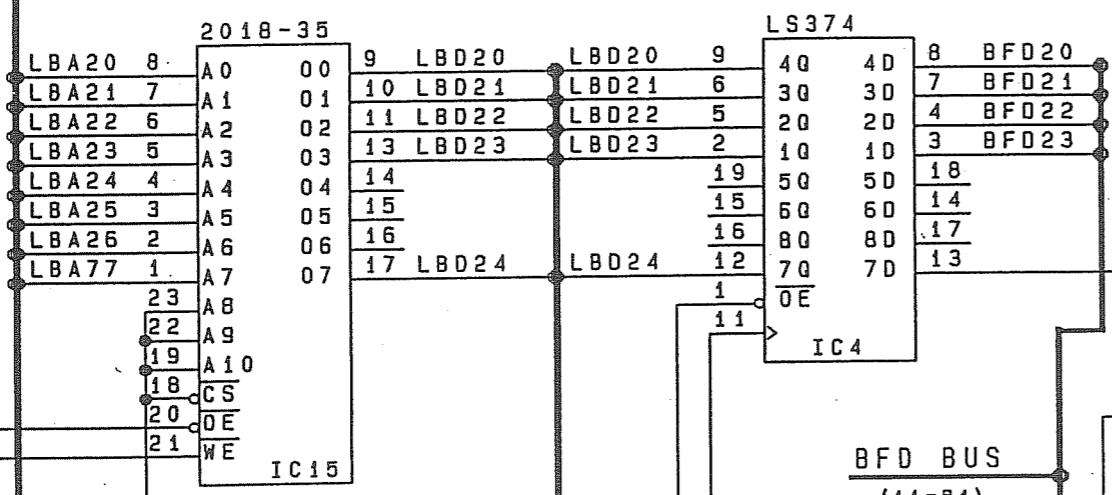
REVISIONS			
LTR	DESCRIPTION	DATE	APPROVED



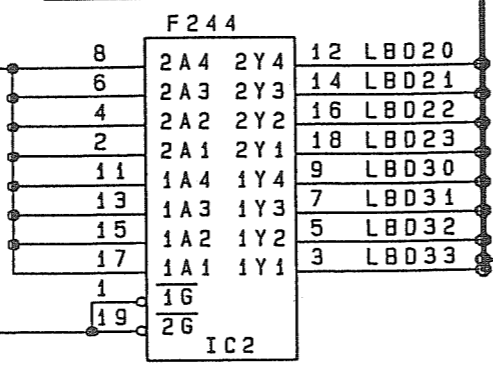
DRAWN		TAITO CORPORATION	
DESIGN Y. KAWAZUMI	NAME	MAIN PCB	
CHECKED	SCALE	SCHEMATIC DIAGRAM	
APPROVED KAWAZUMI	SIZE CODE A3	DWG. NO. W5100446A	
APPROVED	SCALE 1 / 1	RELEASE DATE 1990. 8. 3	SHEET 7 / 25

REVISIONS			
LTR	DESCRIPTION	DATE	APPROVED

LBA BUS (5-A3) (10-D5)



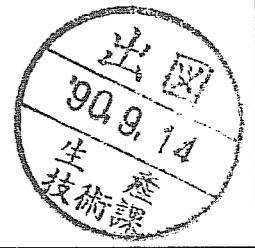
! DISP (6-C6)
! LB2WE (6-D5)



! LB3WE (6-D5)

LBD BUS (13-D4)

LBD2 (6-C6)

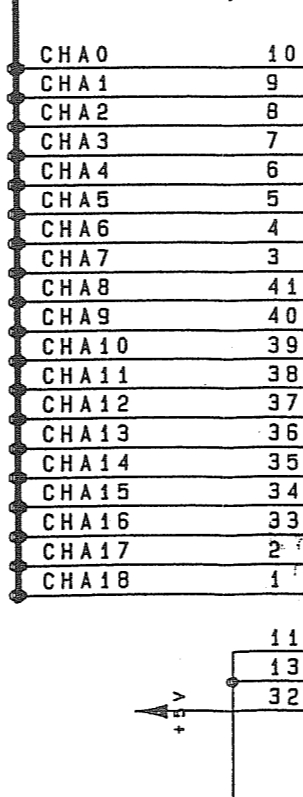
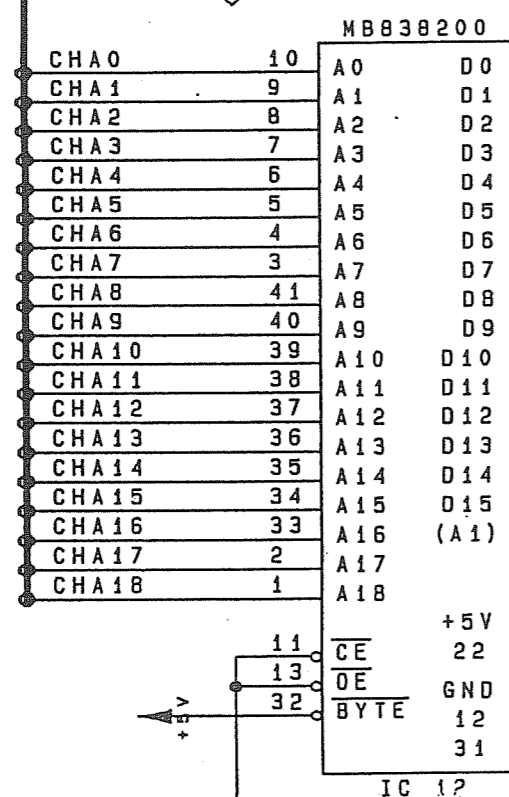
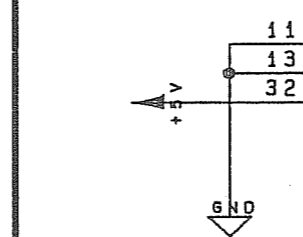
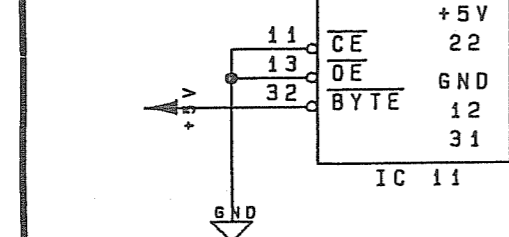
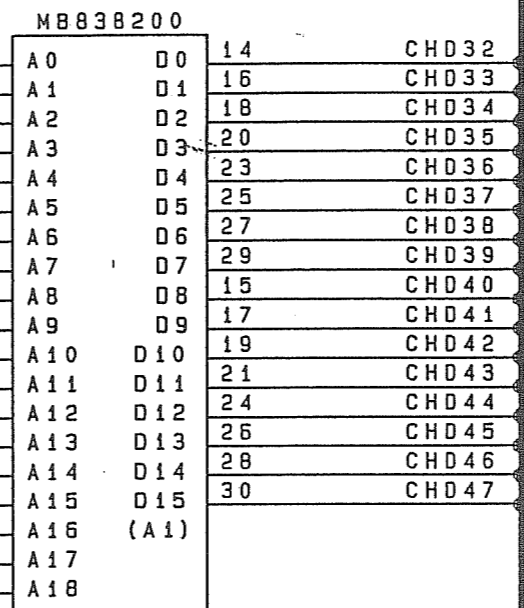
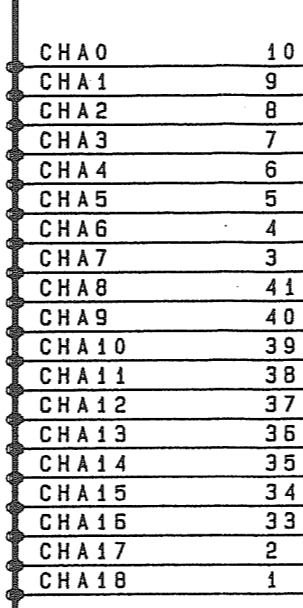
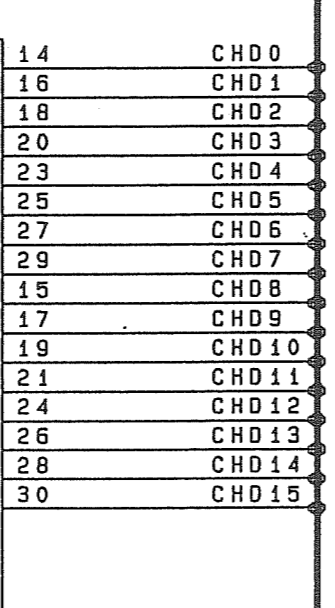
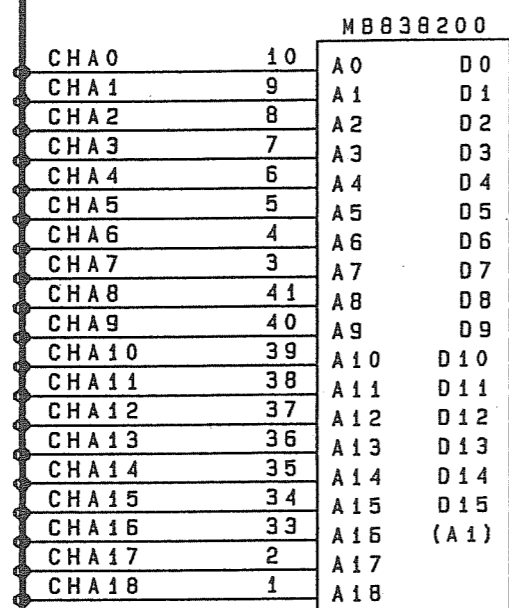


DRAWN	TAITO CORPORATION		
DESIGN Y. 野村	NAME MAIN PCB		
CHECKED	SCHEMATIC DIAGRAM		
APPROVED K. 高橋	SIZE CODE A3	DWG. NO. W5100446A	
APPROVED	SCALE 1/1	RELEASE DATE 1990. 8. 3	SHEET 8 / 25

REVISIONS			
LTR	DESCRIPTION	DATE	APPROVED

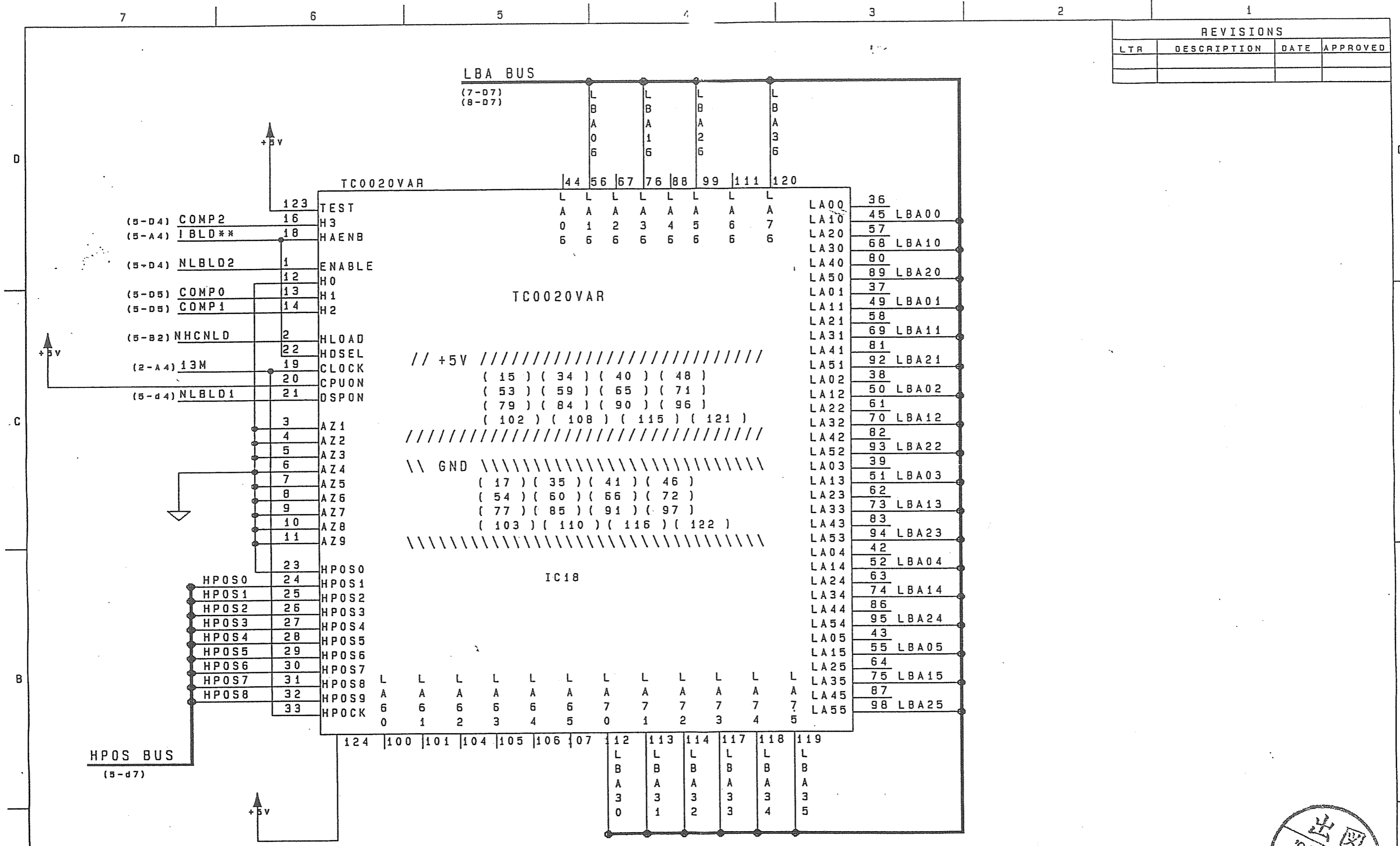
CHA_BUS
(5-D5)
(6-C1)

CHD_BUS
(12-A2)
(11-A2)



DRAWN	TAITO CORPORATION		
DESIGN Y. SHIBUYA	NAME		
CHECKED 8.13	MAIN PCB		
APPROVED K. MOTO	SIZE CODE A3	DWG. NO. W5100446A	
APPROVED 90.9.14	SCALE 1/1	RELEASE DATE 1990.8.3	SHEET 9/25

REVISIONS			
LTR	DESCRIPTION	DATE	APPROVED



DRAWN	TAITO CORPORATION		
DESIGN Y. HIRAHARA	NAME	MAIN PCB	
CHECKED 9.13 冷水	SIZE CODE	DWG. NO.	
APPROVED K. Maeda	A3	W5100446A	
APPROVED 90.9.14 上藤	SCALE	RELEASE DATE	SHEET
	1 / 1	1990. 8. 3	10/25

7

6

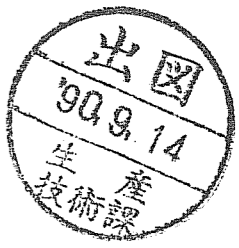
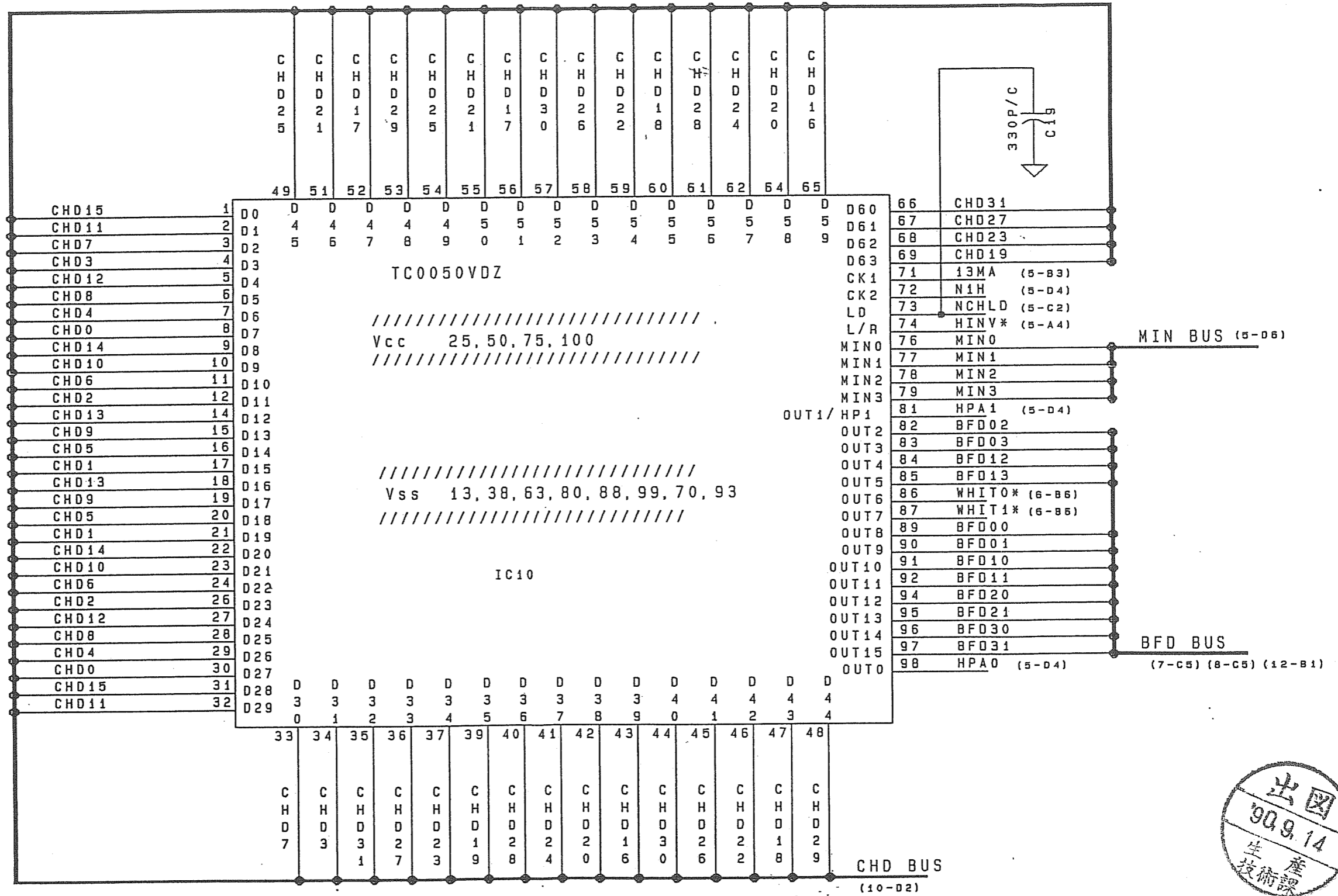
4

3

2

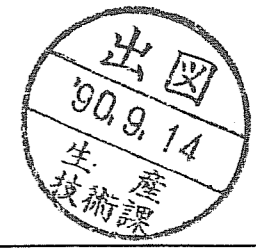
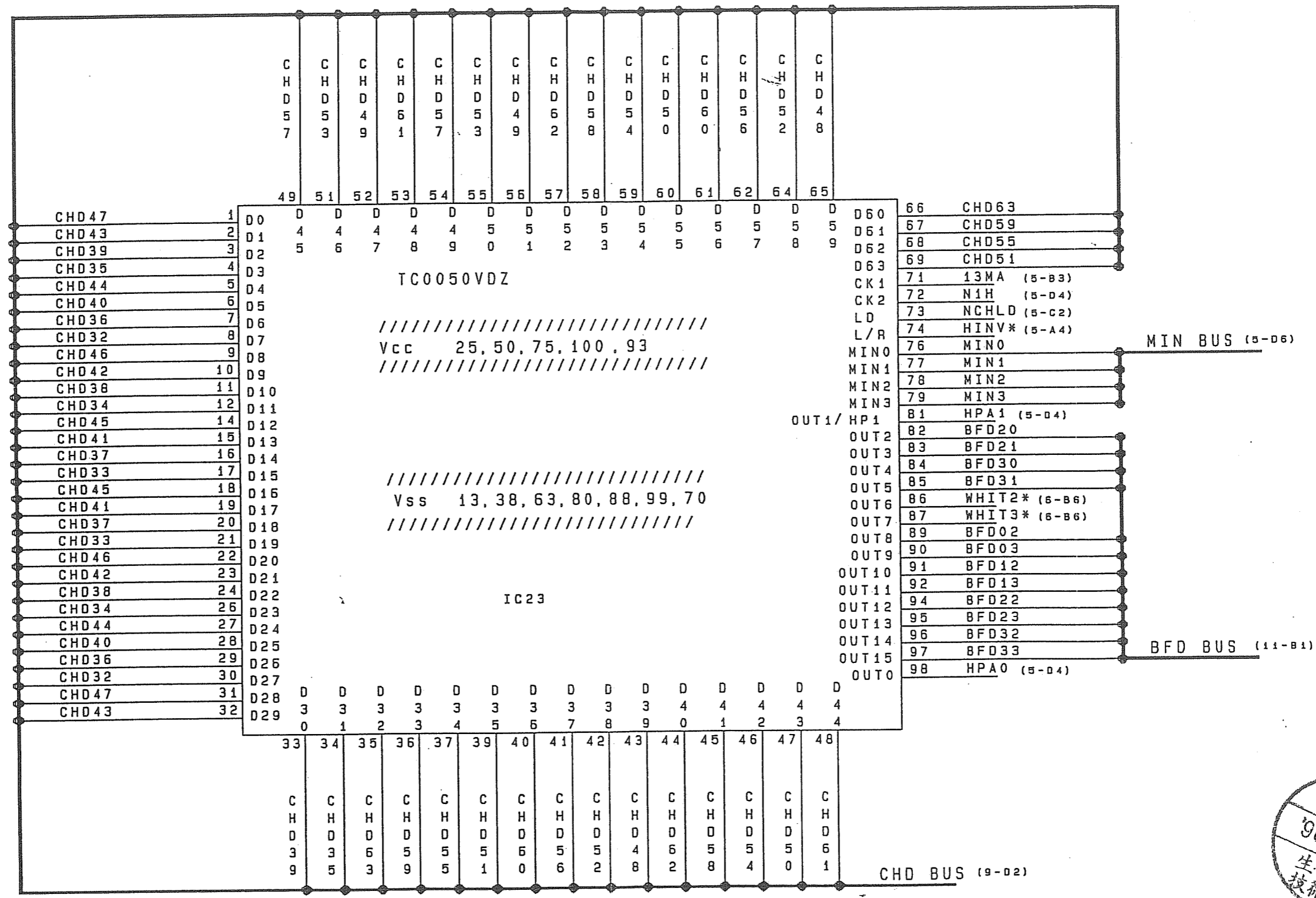
1

REVISIONS			
LTR	DESCRIPTION	DATE	APPROVED



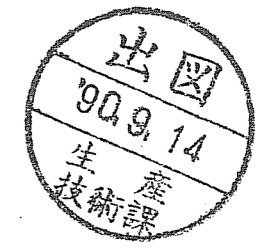
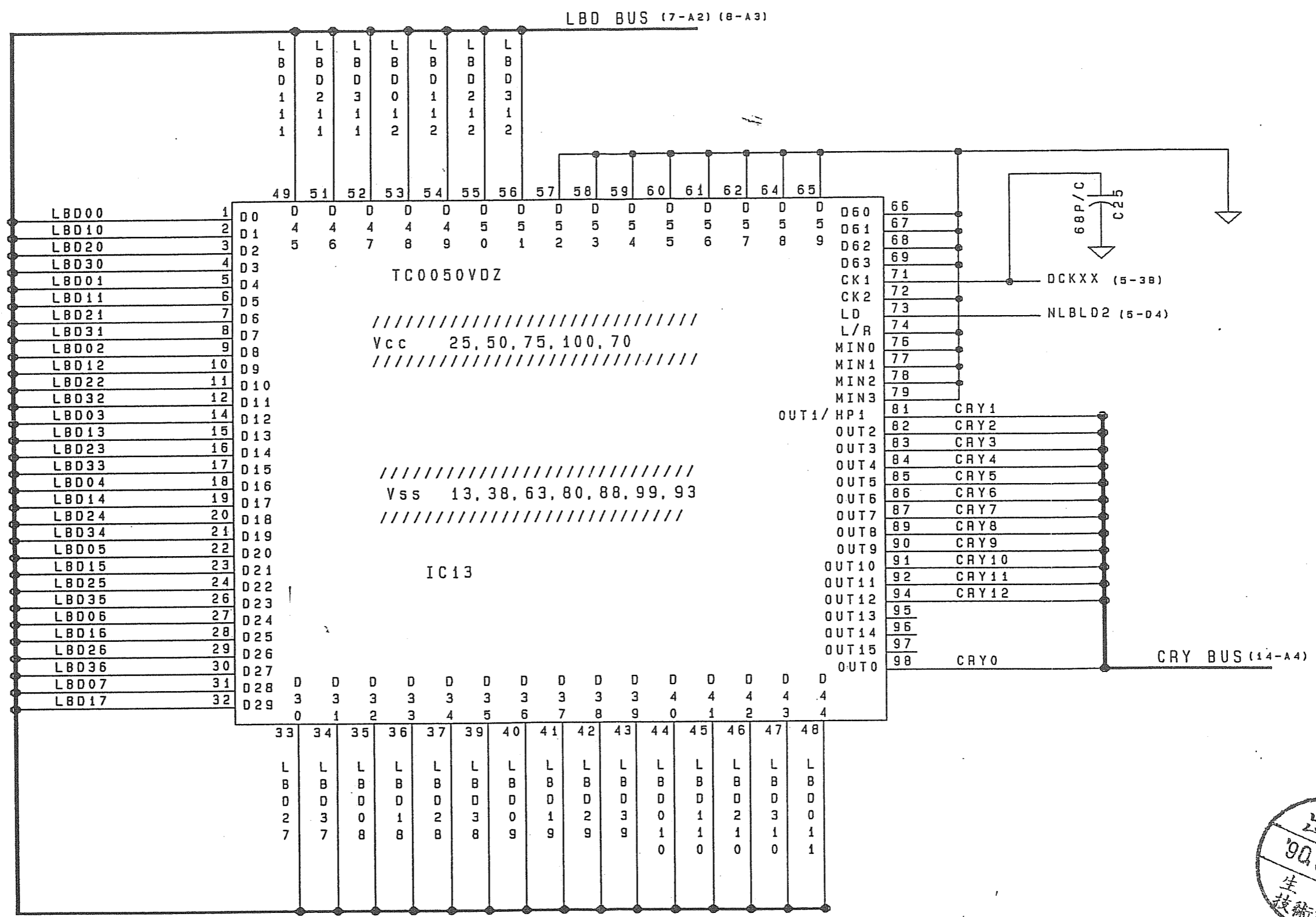
DRAWN		TAITO CORPORATION	
DESIGN Y. SHIBUYA	NAME	MAIN PCB	
CHECK 冷水	SIZE CODE	SCHEMATIC DIAGRAM	
APPROVED K. Maeda	A3	DWG. NO.	W5100446A
APPROVED 90.9.14	SCALE	RELEASE DATE	SHEET
1 / 1	1990. 8. 3	11 / 25	

REVISIONS			
LTR	DESCRIPTION	DATE	APPROVED



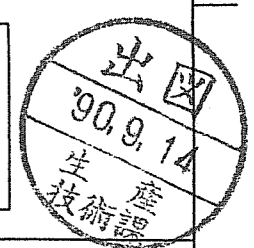
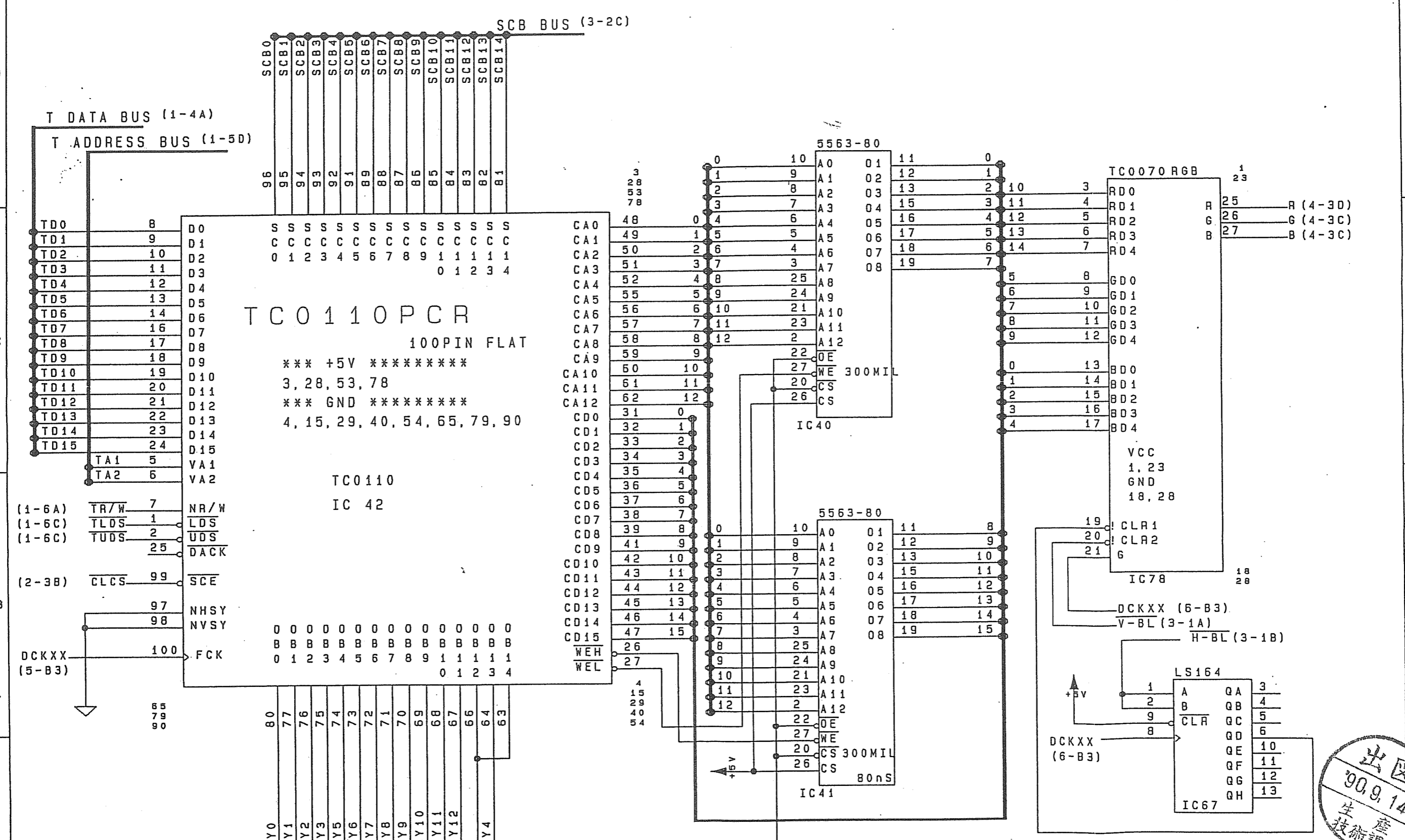
DRAWN		TAITO CORPORATION	
DESIGN Y. [Signature]	NAME	MAIN PCB	
CHECKED [Signature]		SCHEMATIC DIAGRAM	
APPROVED K. [Signature]	SIZE CODE A3	DWG. NO. W5100446A	
APPROVED [Signature]	SCALE 1/1	RELEASE DATE 1990. 8. 3	SHEET 12/25

REVISIONS			
LTR	DESCRIPTION	DATE	APPROVED



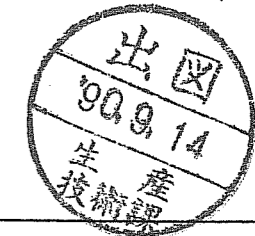
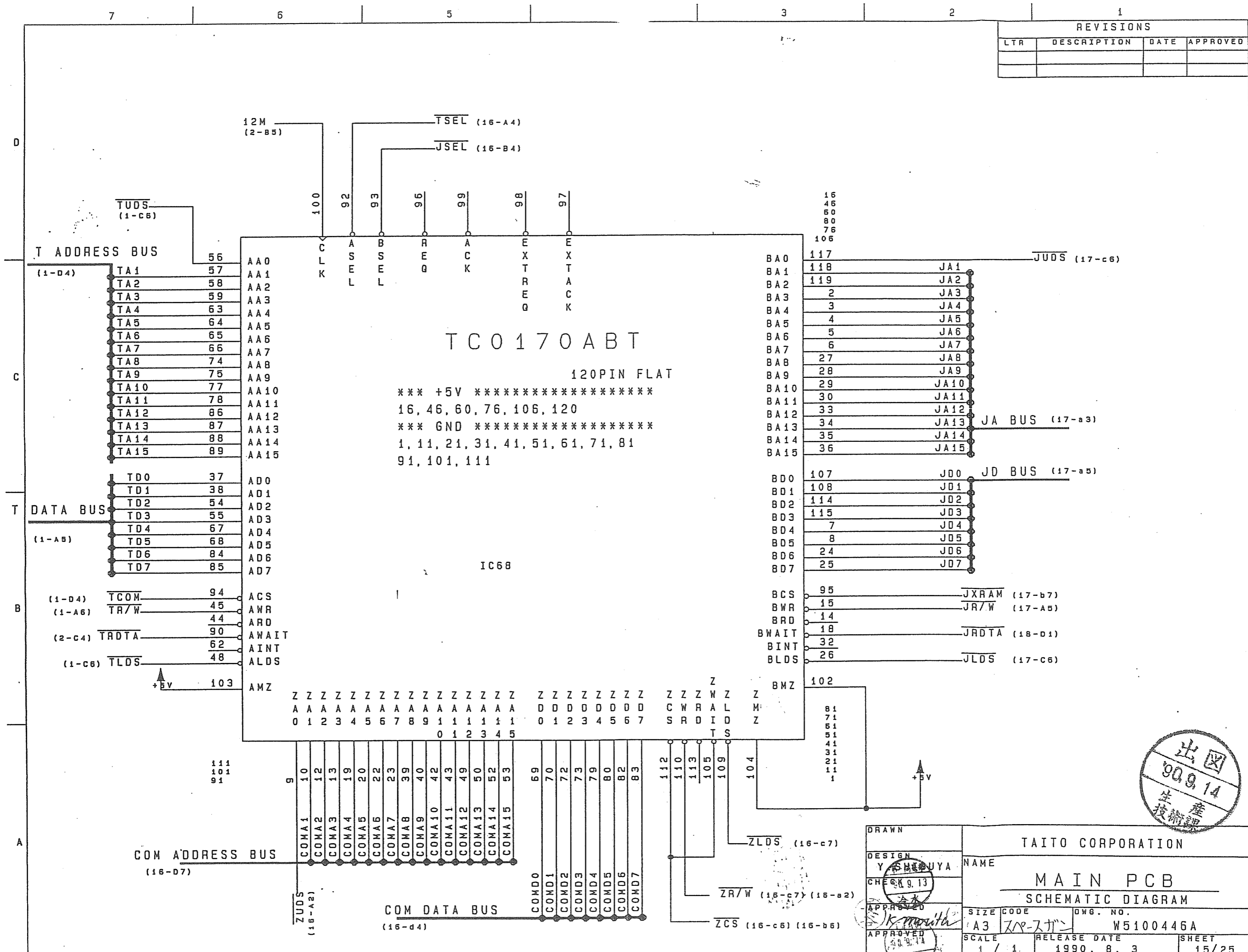
DRAWN		TAITO CORPORATION	
DESIGN Y 高橋 博之	NAME	MAIN PCB	
CHECK M. 9. 13		SCHEMATIC DIAGRAM	
APPROVED K. M. 9. 14	SIZE CODE A3	DWG. NO. W5100446A	
APPROVED M. 9. 14	SCALE 1 / 1	RELEASE DATE 1990. 8. 3	SHEET 13 / 25

REVISIONS			
LTR	DESCRIPTION	DATE	APPROVED



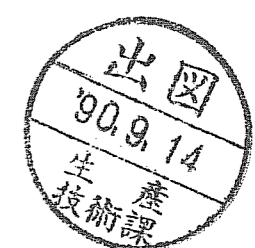
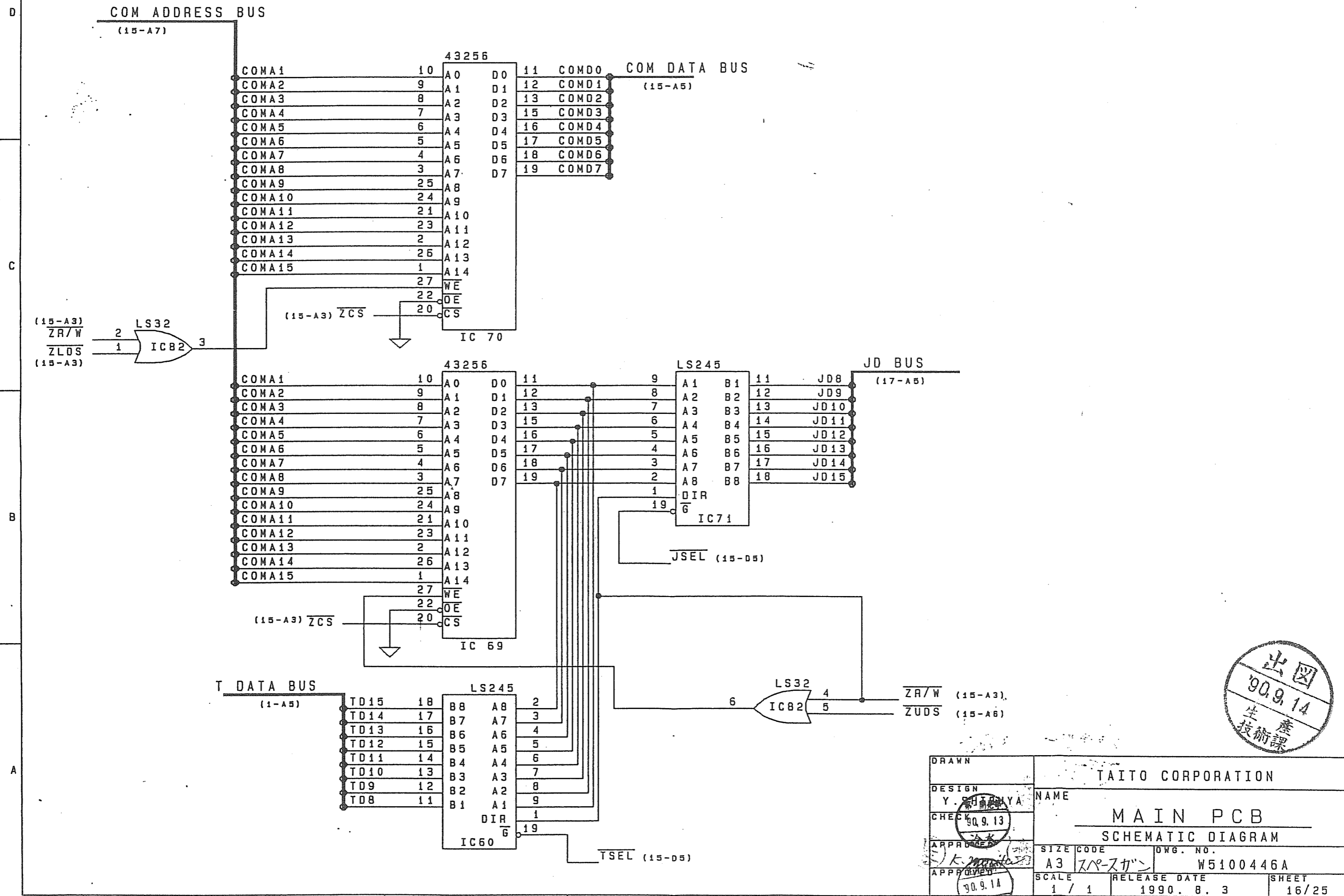
DESIGN Y. HIRAIWA	NAME TAITO CORPORATION
CHECK 9.13	MAIN PCB SCHEMATIC DIAGRAM
APPROVED K. Morita	SIZE CODE A3 スパースカシ
APPROVED 9.14	DWG. NO. W5100446A
SCALE 1 / 1	RELEASE DATE 1990. 8. 21
	SHEET 14 / 25

REVISIONS			
LTR	DESCRIPTION	DATE	APPROVED



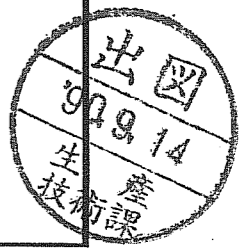
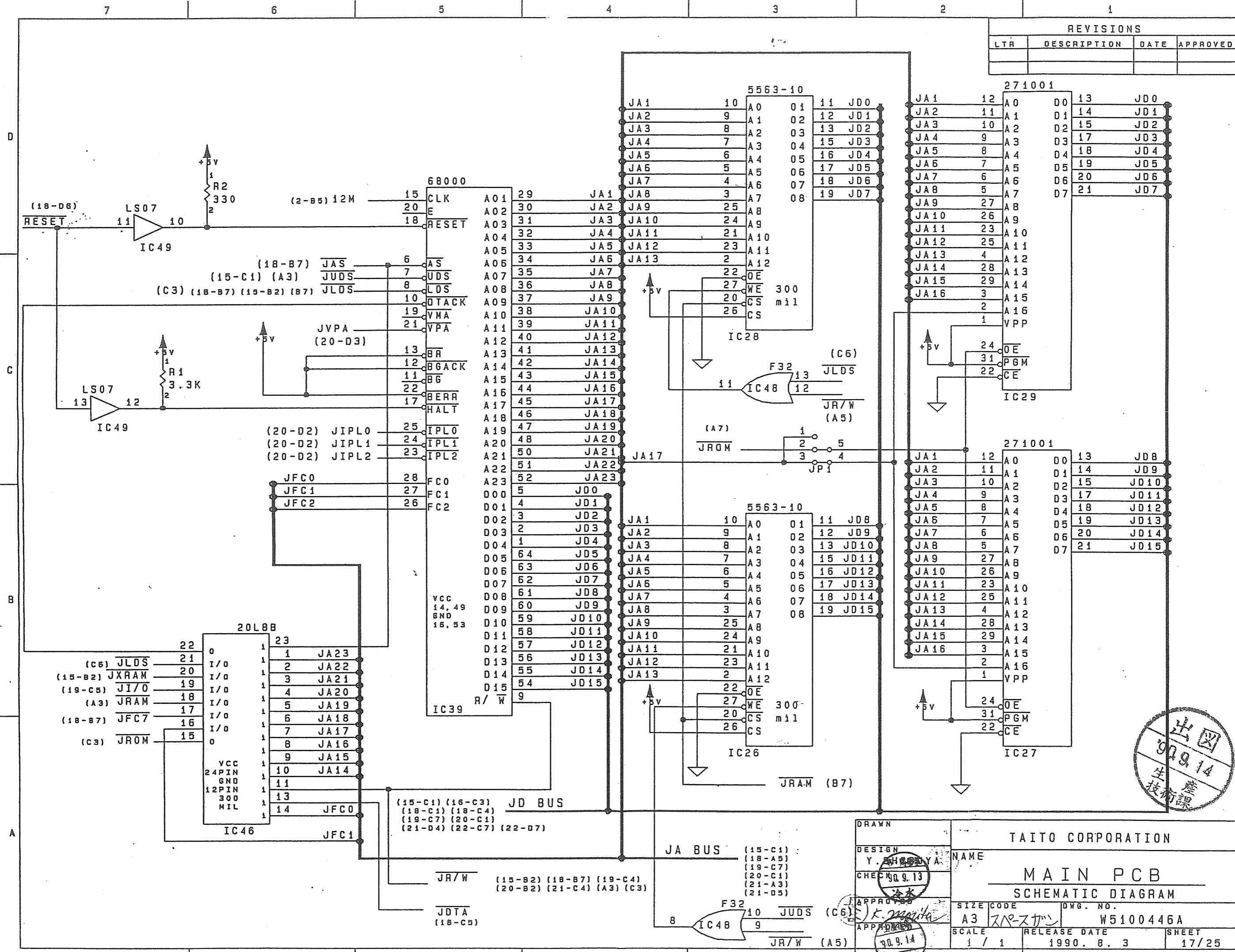
DRAWN		TAITO CORPORATION	
DESIGN Y. SHIBUYA	NAME	MAIN PCB	
CHECK 9.13		SCHEMATIC DIAGRAM	
APPROVED	SIZE CODE A3	DWG. NO. W5100446A	
APPROVED 90.9.14	SCALE 1/1	RELEASE DATE 1990. 8. 3	SHEET 15/25

REVISIONS			
LTR	DESCRIPTION	DATE	APPROVED



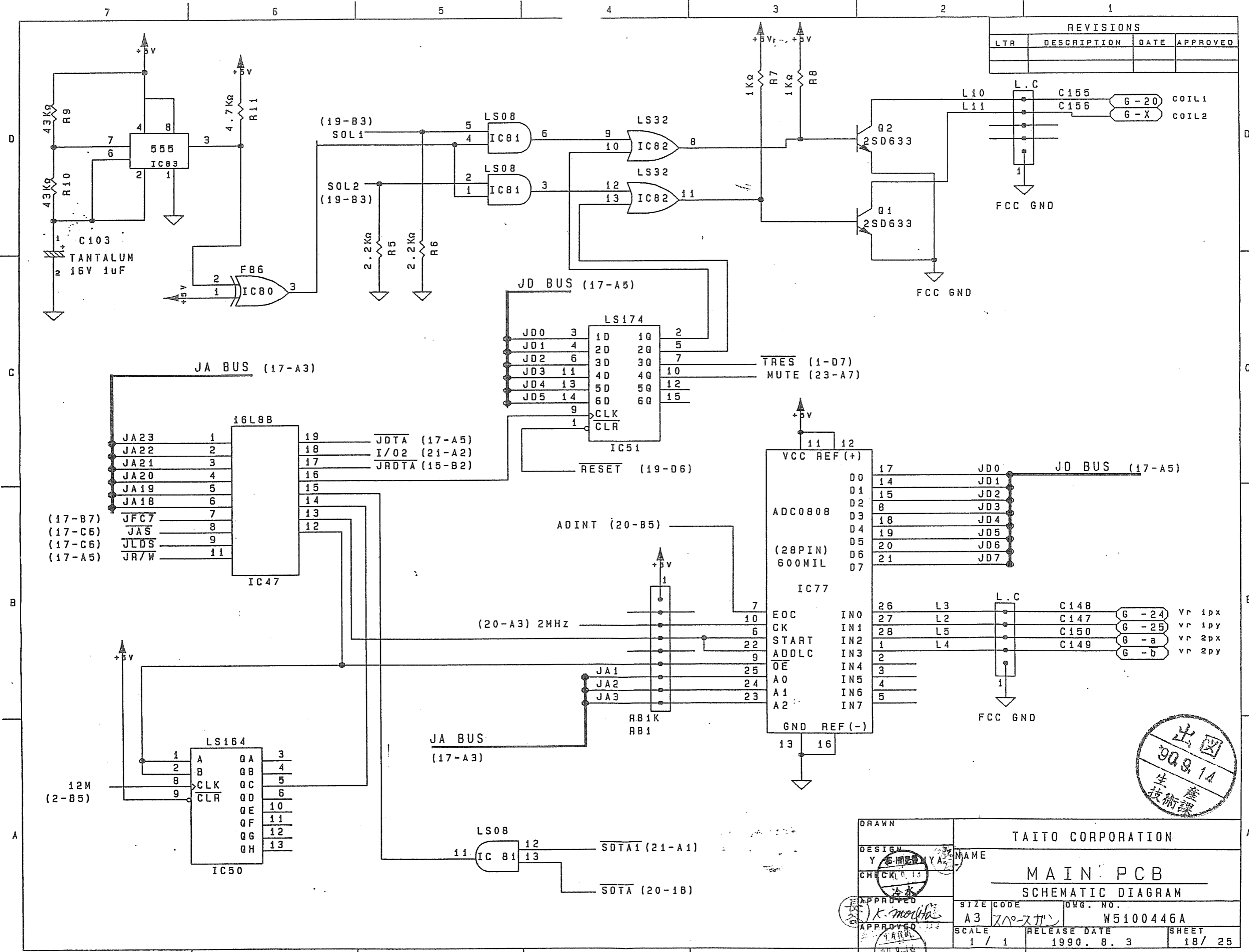
DRAWN	TAITO CORPORATION		
DESIGN Y. SHIMIZU	NAME	MAIN PCB	
CHECK 90.9.13	SCHEMATIC DIAGRAM		
APPROVED K. MURAKAMI	SIZE CODE A3	DWG. NO. W5100446A	SCALE 1 / 1
APPROVED 90.9.14	RELEASE DATE 1990. 8. 3	SHEET 16 / 25	

REVISIONS			
LTR	DESCRIPTION	DATE	APPROVED



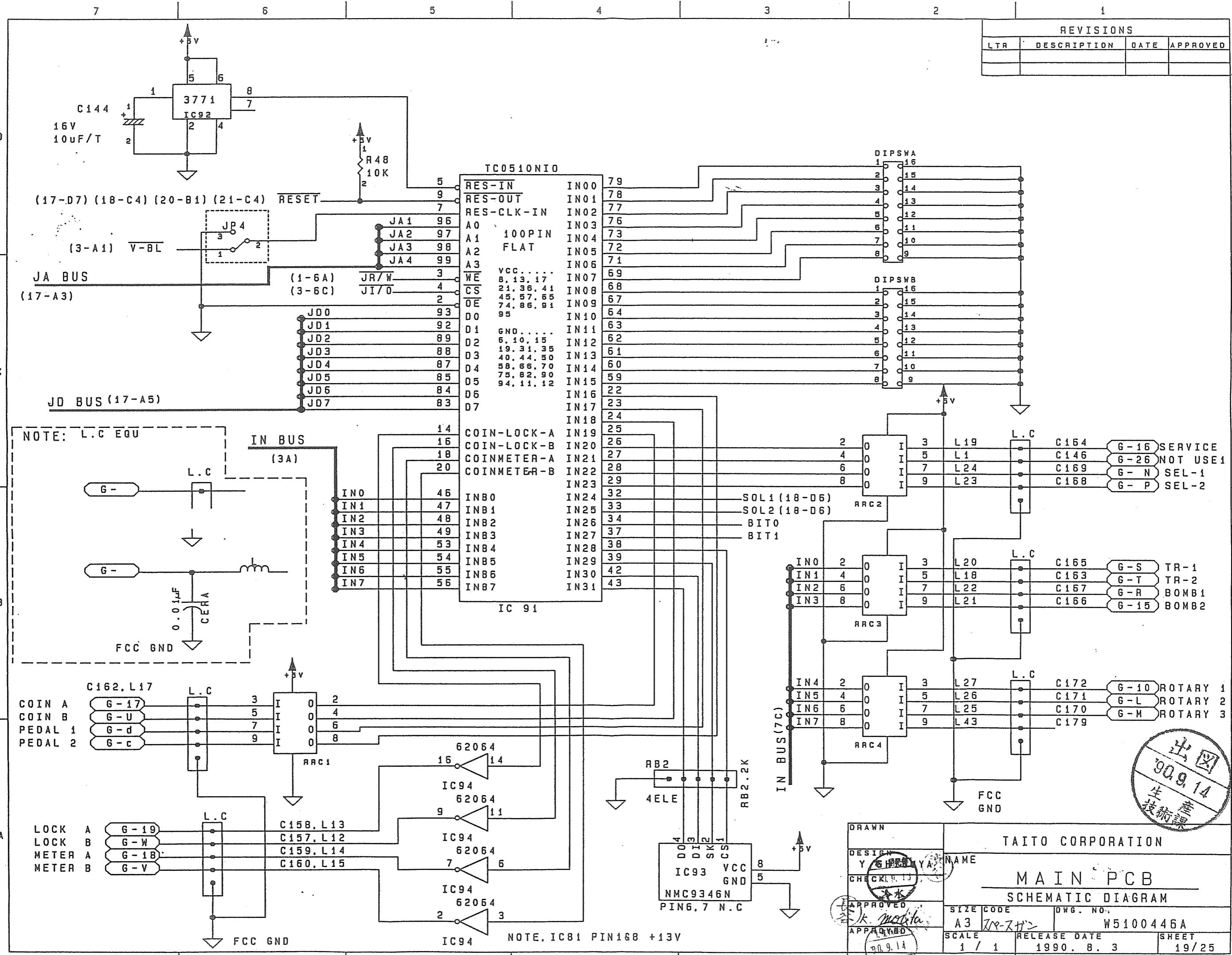
DRAWN		TAITO CORPORATION	
DESIGN Y. SHIBUYA	NAME	MAIN PCB	
CHECK 90.9.13	SIZE CODE A3	SCHEMATIC DIAGRAM	
APPROVED 90.9.14	SCALE 1/1	DWG. NO. W5100446A	SHEET 17/25
RELEASE DATE 1990. 8. 3			

REVISIONS			
LTR	DESCRIPTION	DATE	APPROVED



DRAWN		TAITO CORPORATION	
DESIGN	NAME	MAIN PCB	
CHECK	SIZE CODE	SCHEMATIC DIAGRAM	
APPROVED	SCALE	DWG. NO.	18 / 25
APPROVED	RELEASE DATE	W5100446A	
	1 / 1	1990. 8. 3	

REVISIONS			
LTR	DESCRIPTION	DATE	APPROVED



(17-D7) (18-C4) (20-B1) (21-C4) RESET

JA BUS (17-A3)

JD BUS (17-A5)

NOTE: L.C EQU

IN BUS (3A)

FCC GND

COIN A

COIN B

PEDAL 1

PEDAL 2

LOCK A

LOCK B

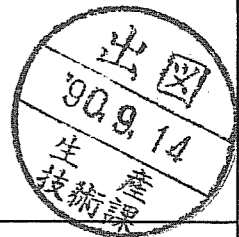
METER A

METER B

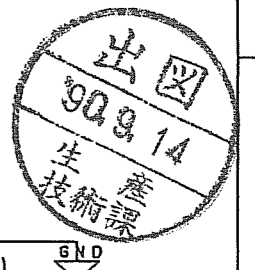
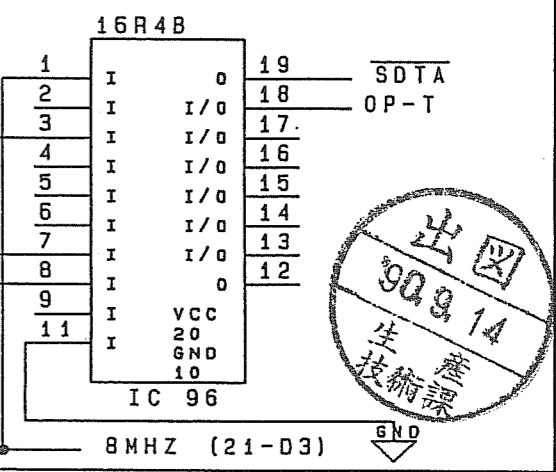
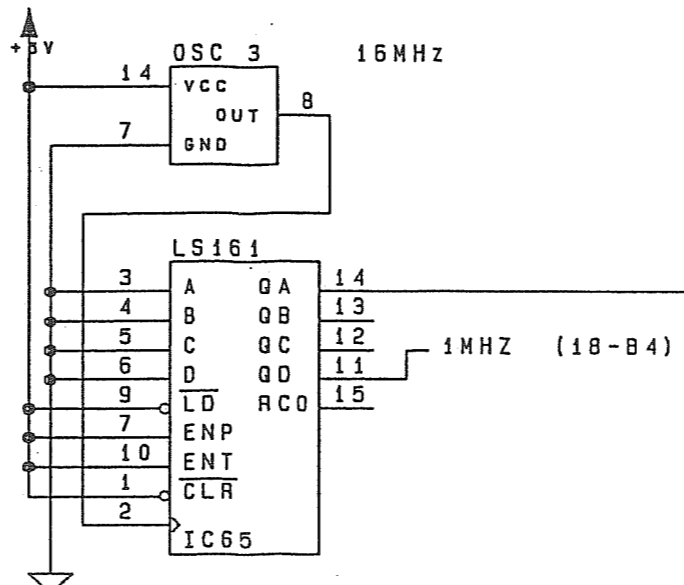
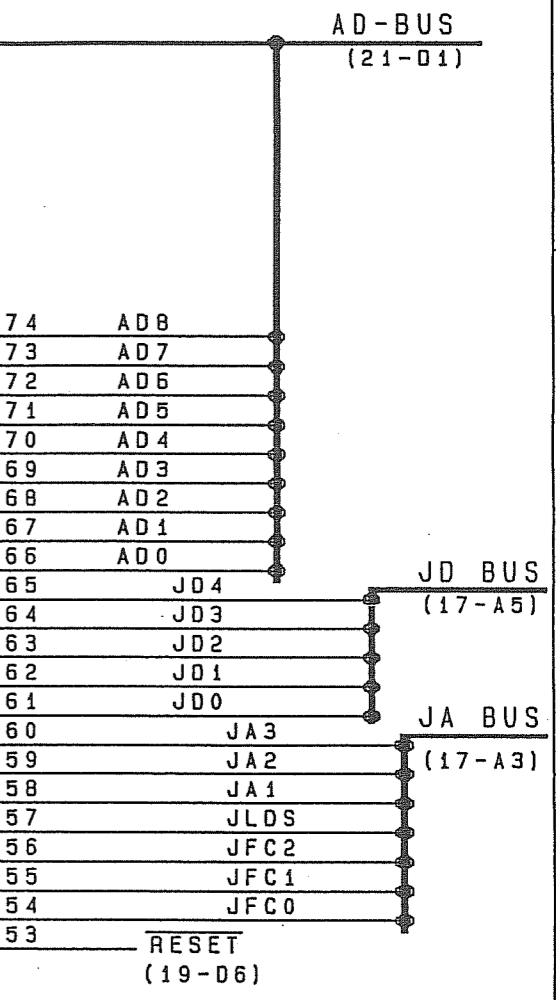
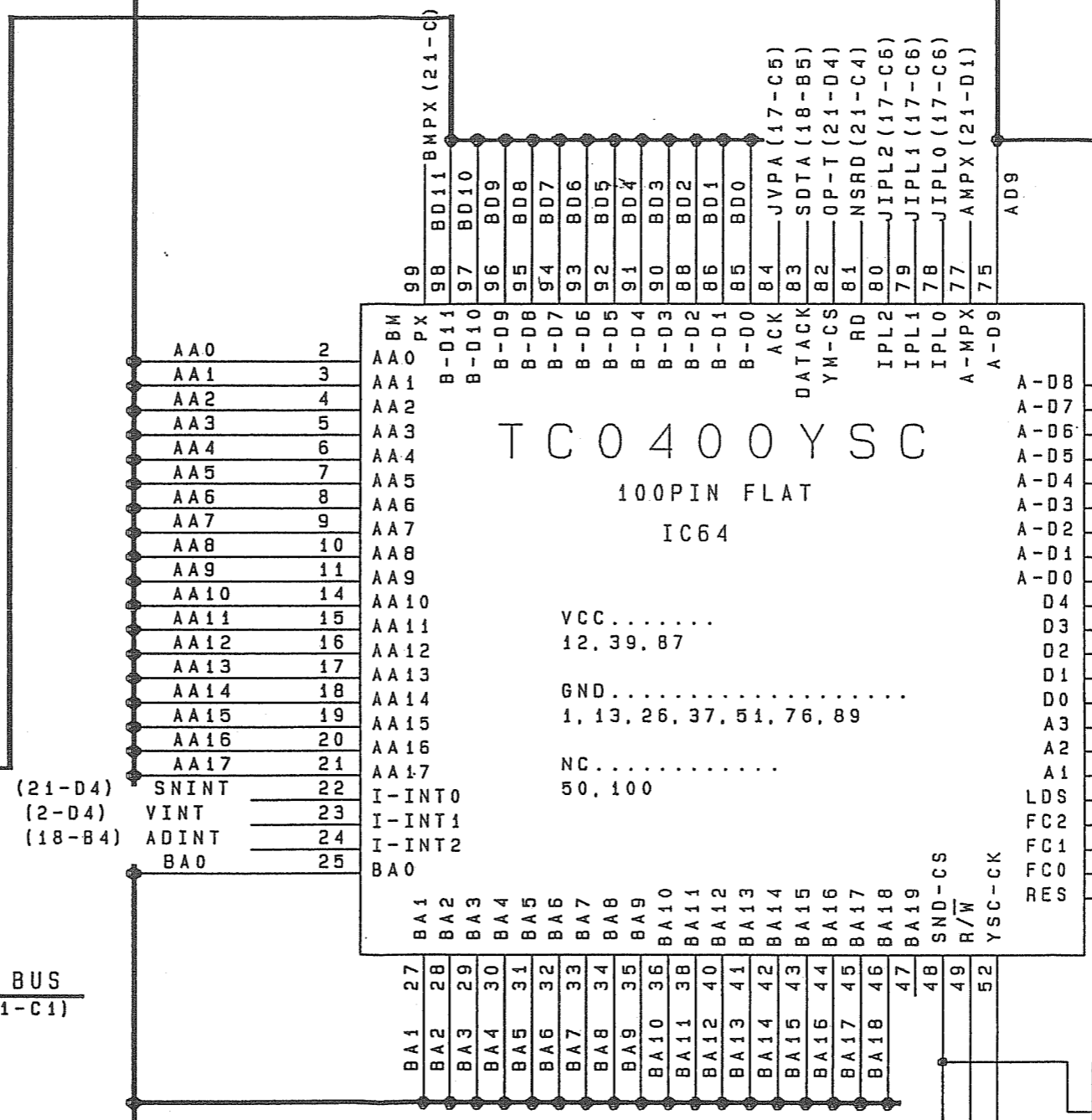
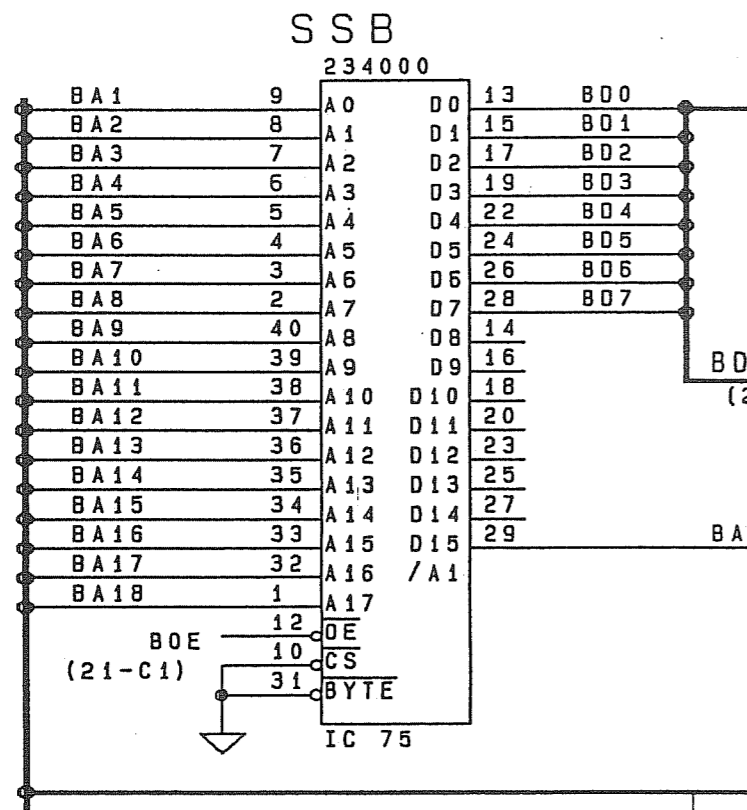
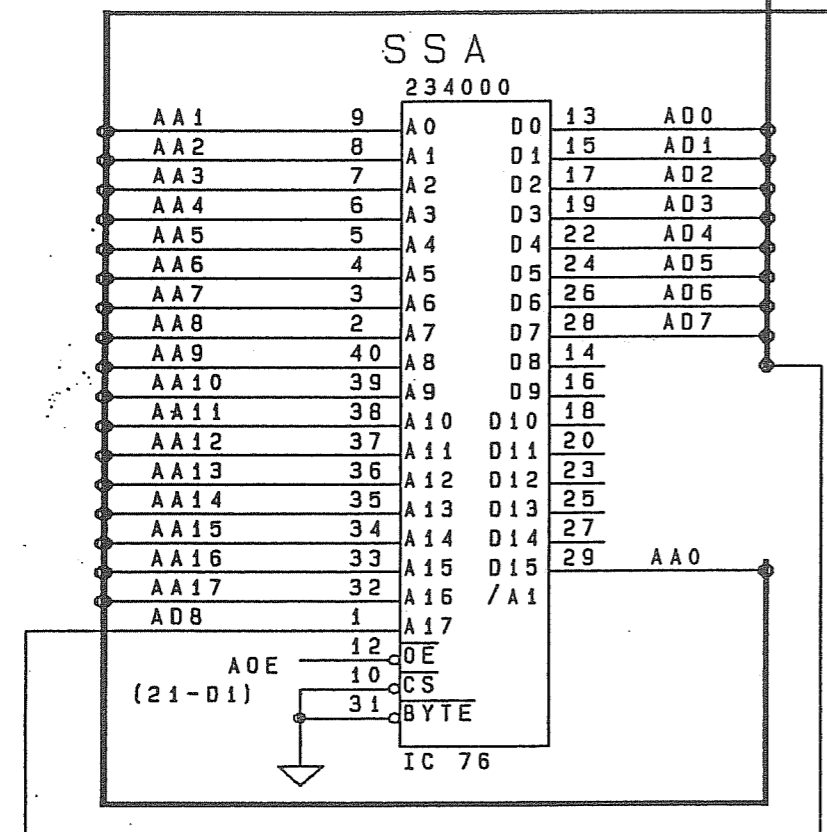
FCC GND

NOTE. IC81 PIN1&8 +13V

DRAWN		TAITO CORPORATION	
DESIGN	Y. G. H. Y. A. NAME	MAIN PCB	
CHECKED		SCHEMATIC DIAGRAM	
APPROVED		SIZE CODE	DWG. NO.
		A3	W5100446A
		SCALE	RELEASE DATE
		1 / 1	1990. 8. 3
			SHEET
			19/25

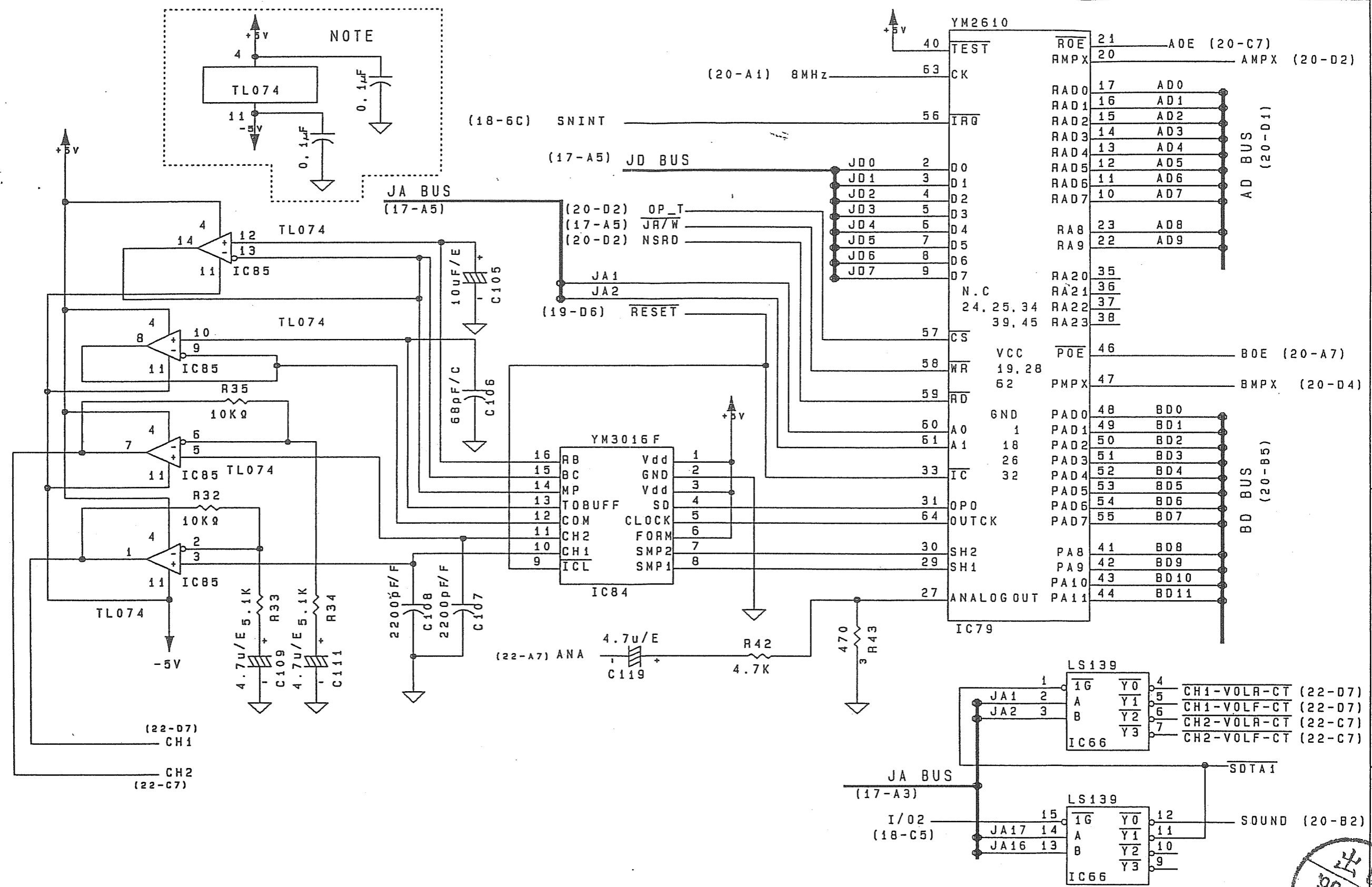


REVISIONS			
LTR	DESCRIPTION	DATE	APPROVED



DRAWN	TAITO CORPORATION		
DESIGNER Y. SHIBUYA	NAME	MAIN PCB	
CHECKER K. MOTO	SCALE	SCHEMATIC DIAGRAM	
APPROVED K. MOTO	SIZE CODE A3	DRG. NO. W5100446A	
APPROVED A. KAWA	SCALE 1/1	RELEASE DATE 1990. 8. 3	SHEET 20/25

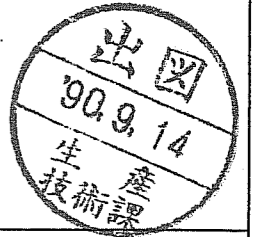
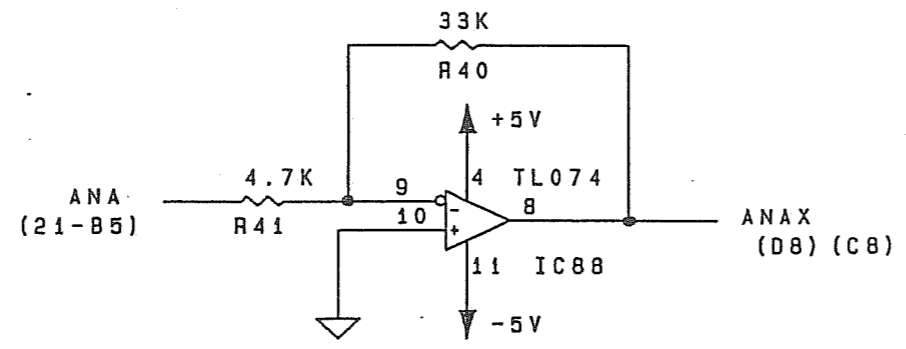
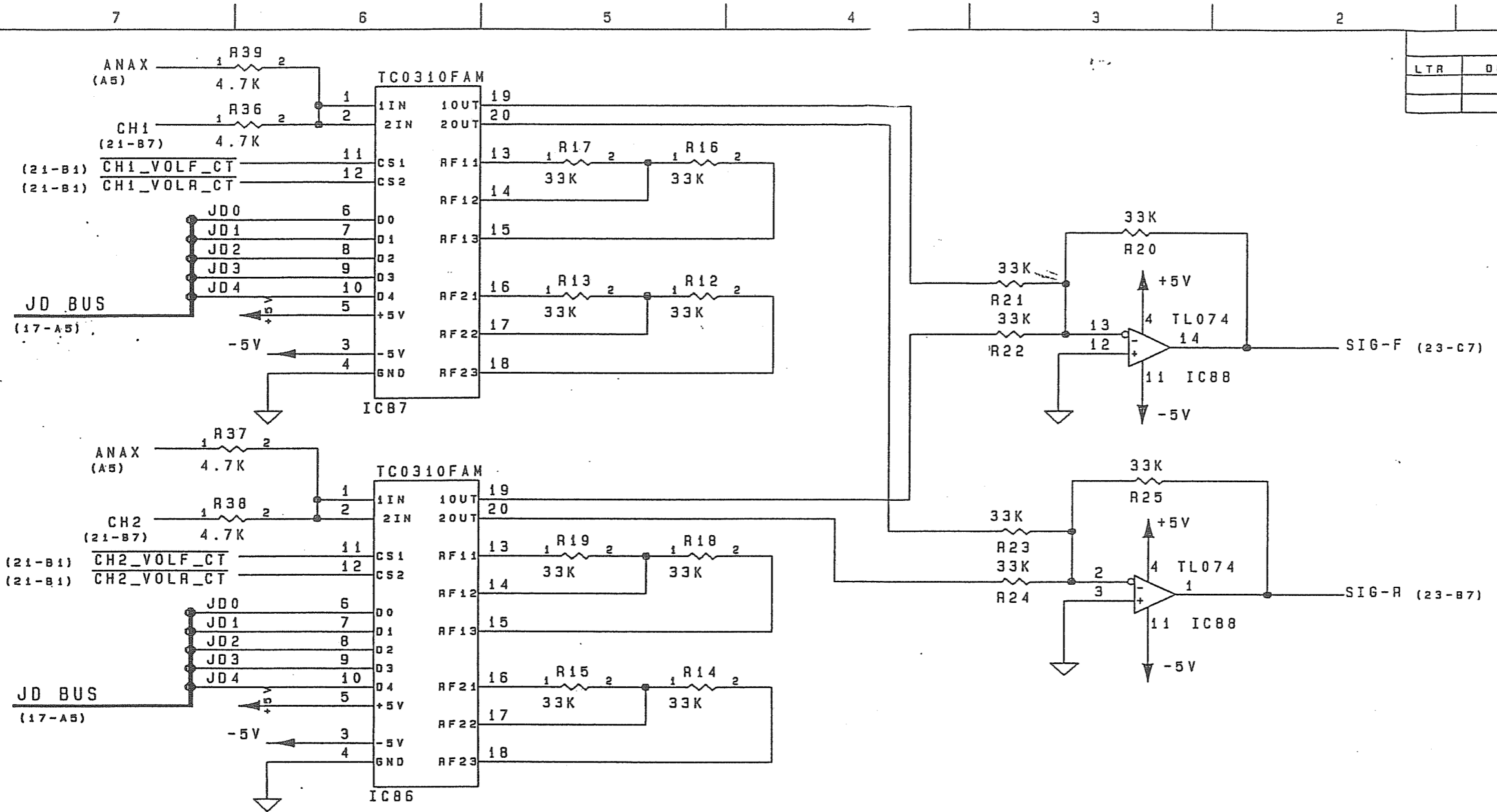
REVISIONS			
LTR	DESCRIPTION	DATE	APPROVED



DRAWN	TAITO CORPORATION		
DESIGN Y. S. [Signature]	NAME	MAIN PCB	
CHECK [Signature]	SIZE CODE	DWG. NO.	W5100446A
APPROVED K. Morita	SCALE	RELEASE DATE	SHEET
1/1	1 / 1	1990. 8. 3	21 / 25

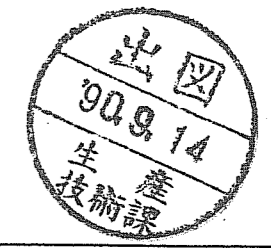
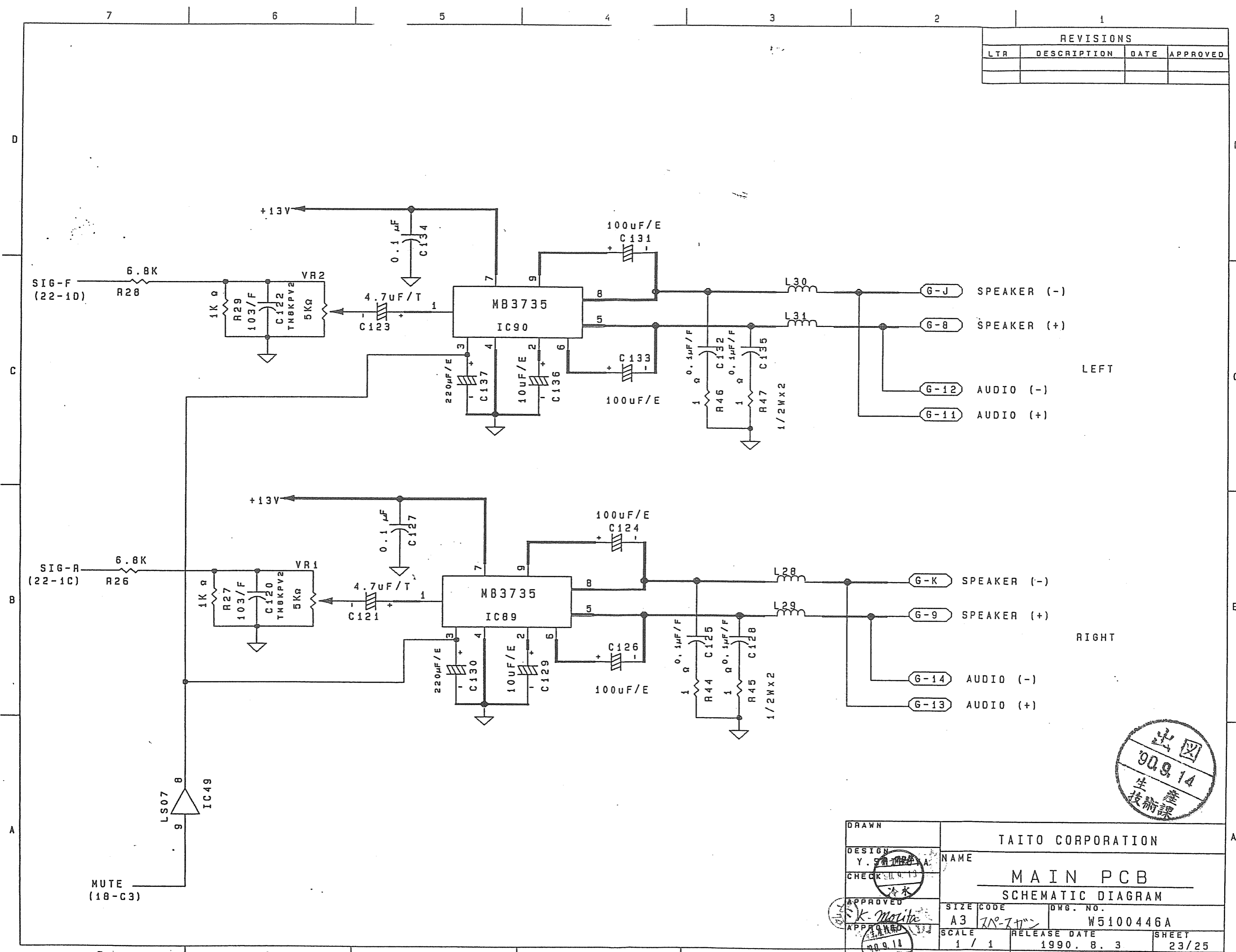


REVISIONS			
LTR	DESCRIPTION	DATE	APPROVED



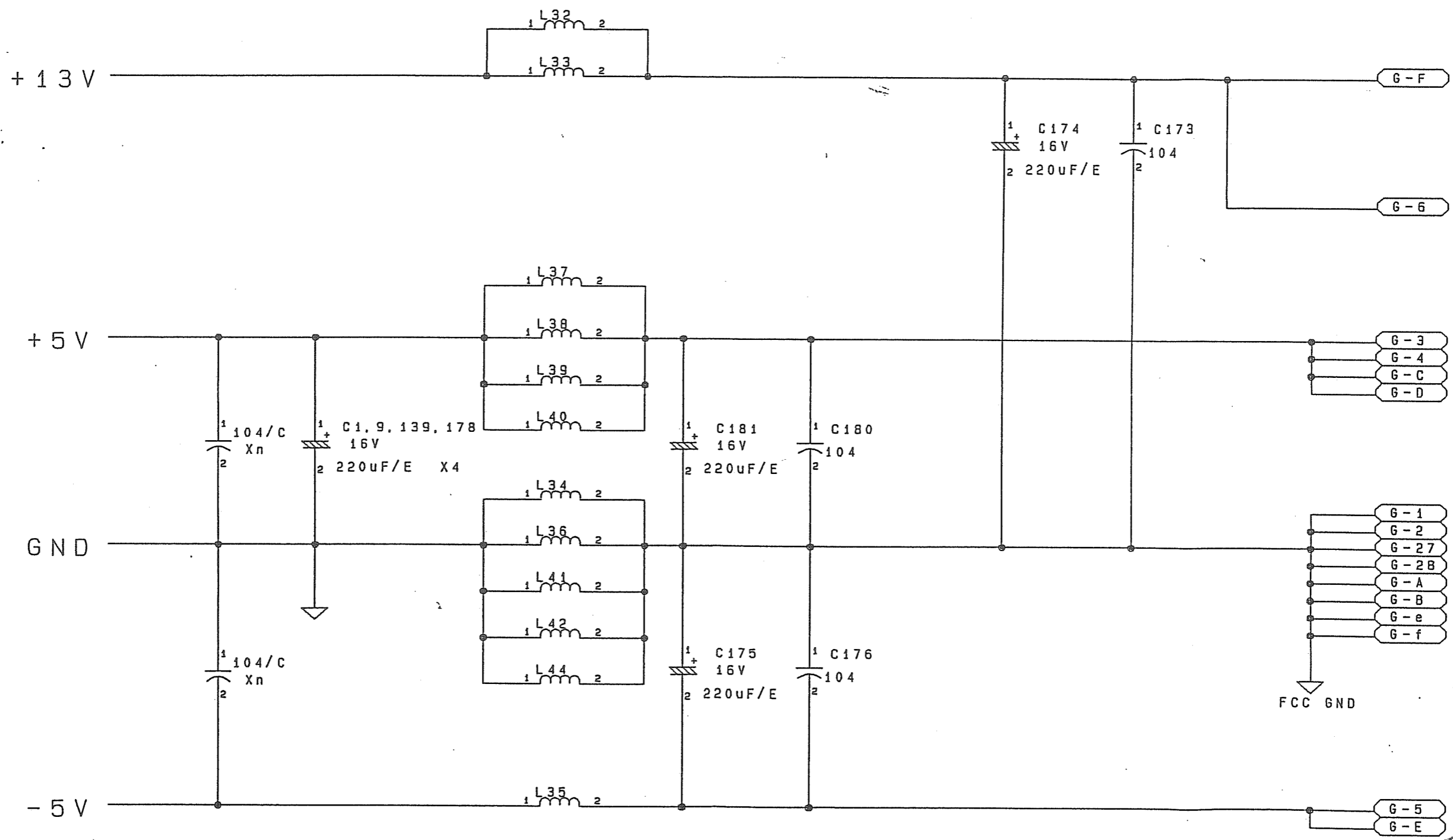
DRAWN	TAITO CORPORATION		
DESIGN Y. SHIBUYA	NAME	MAIN PCB	
CHECK Q.13	SCHEMATIC DIAGRAM		
APPROVED K. Masuda	SIZE CODE A3	DWG. NO. W5100446A	SCALE 1/1
APPROVED 90.9.14	RELEASE DATE 1990. 8. 3	SHEET 22/25	

REVISIONS			
LTR	DESCRIPTION	DATE	APPROVED



DRAWN		TAITO CORPORATION	
DESIGN Y. 90.9.14	NAME	MAIN PCB	
CHECKED 冷水		SCHEMATIC DIAGRAM	
APPROVED K. Morita	SIZE CODE A3	DWG. NO. W5100446A	
APPROVED 冷水	SCALE 1 / 1	RELEASE DATE 1990. 8. 3	SHEET 23 / 25

REVISIONS			
LTR	DESCRIPTION	DATE	APPROVED



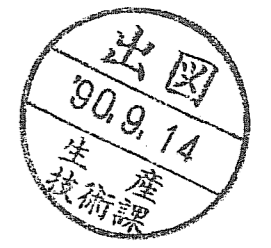
出図
90.9.14
生産
技術課

DRAWN		TAITO CORPORATION	
DESIGN Y. S. IRIHARA	NAME	MAIN PCB	
CHECK 90.9.13 冷水	SIZE CODE A3	SCHEMATIC DIAGRAM	
APPROVED K. Maita	DWG. NO. W5100446A	SCALE 1 / 1	RELEASE DATE 1990. 8. 3
APPROVED 90.9.14	SHEET 24 / 25		

REVISIONS			
LTR	DESCRIPTION	DATE	APPROVED

G CONNECTOR			
GND	A	1	GND
GND	B	2	GND
+5V	C	3	+5V
+5V	D	4	+5V
-5V	E	5	-5V
+13V	F	6	+13V
POST	H	7	POST
SP L (-)	J	8	SP L (+)
SP R (-)	K	9	SP R (+)
ROTARY 2	L	10	ROTARY 1
ROTARY 3	M	11	AUDIO L (+)
SEL 1	N	12	AUDIO L (-)
SEL 2	P	13	AUDIO R (+)
BOMB 1	R	14	AUDIO R (-)
TRIGGER 1	S	15	BOMB 2
TRIGGER 2	T	16	SERVICE SW
COIN SW B	U	17	COIN SW A
COIN METER B	V	18	COIN METER A
COIN LOCKOUT B	W	19	COIN LOCKOUT A
COIL 2	X	20	COIL 1
G	Y	21	R
SYNC	Z	22	BL
VR 2P X	a	23	VIDEO GND
VR 2P Y	b	24	VR 1P X
1P ACCEL	c	25	VR 1P Y
2P ACCEL	d	26	NOT USE 1
GND	e	27	GND
GND	f	28	GND

Z CONNECTOR	
1	+5V
2	GND
3	BIT0
4	BIT1



DRAWN		TAITO CORPORATION	
DESIGN Y. SHI	CHECK 90.9.13	NAME MAIN PCB	SCHEMATIC DIAGRAM
APPROVED 90.9.14	APPROVED 90.9.14	SIZE CODE A3	DWG. NO. W5100446A
SCALE 1 / 1	RELEASE DATE 1990. 8. 3	SHEET 25 / 25	