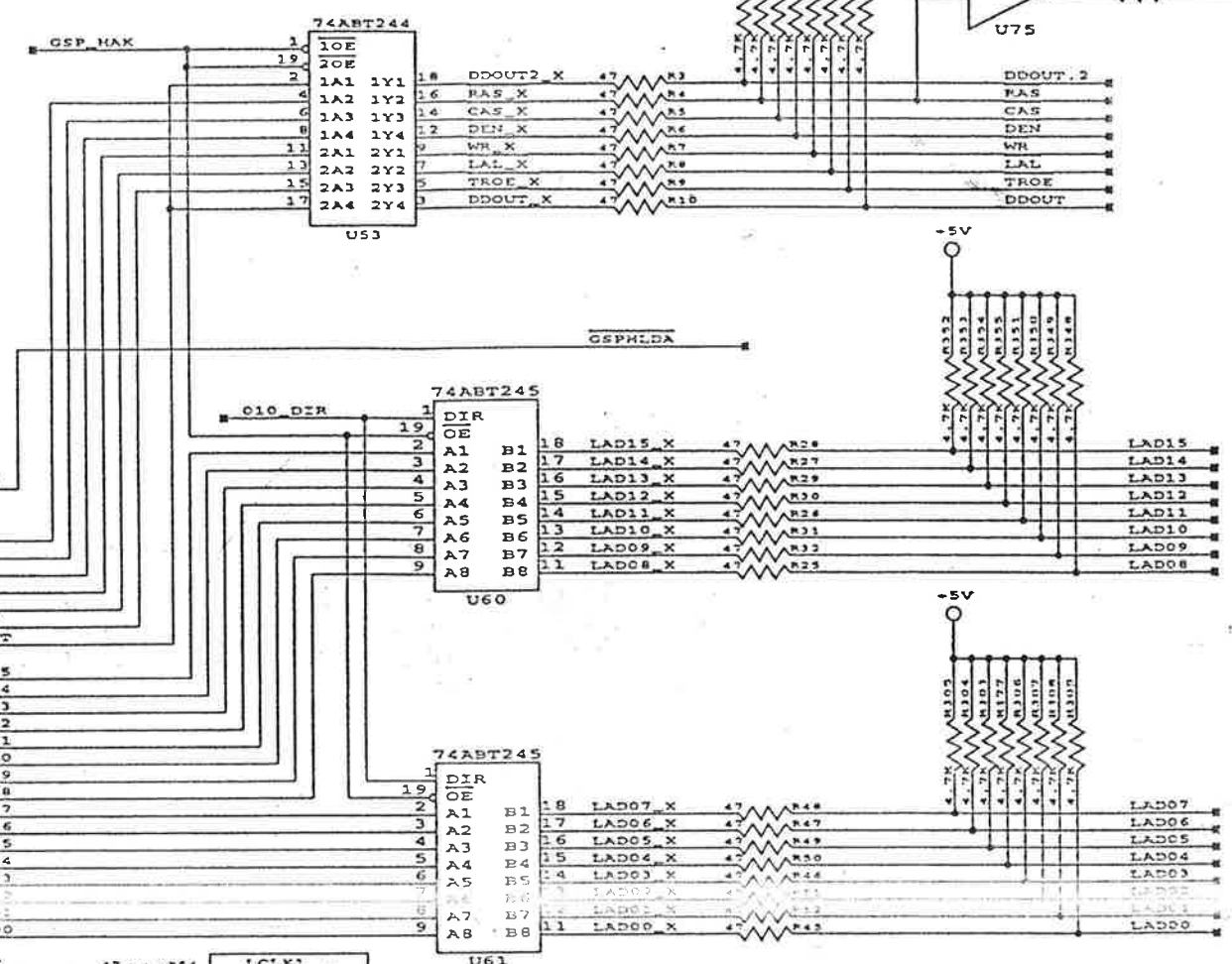
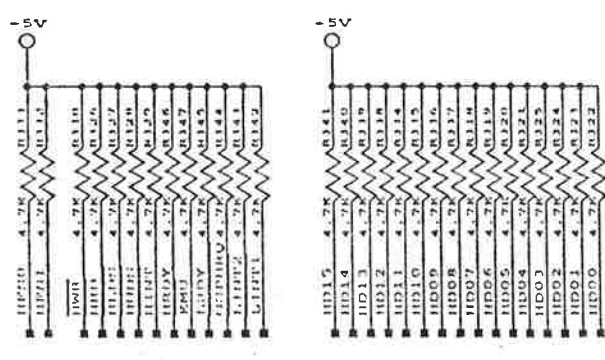
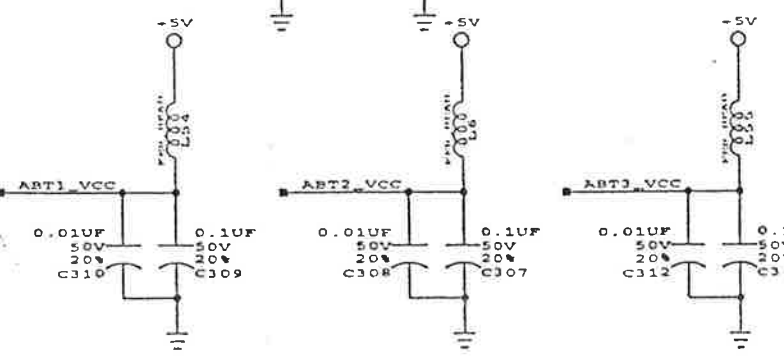
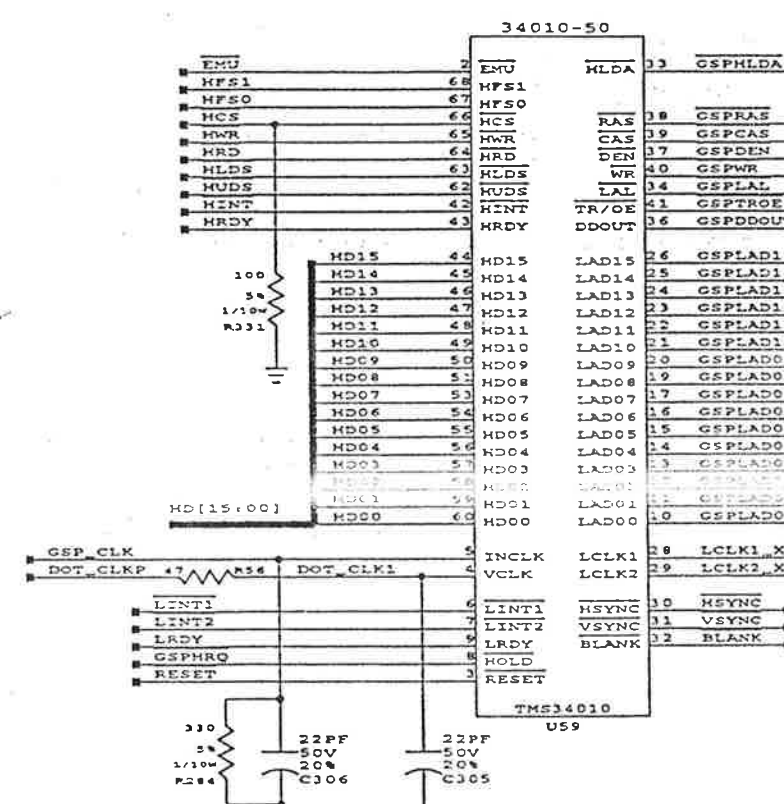
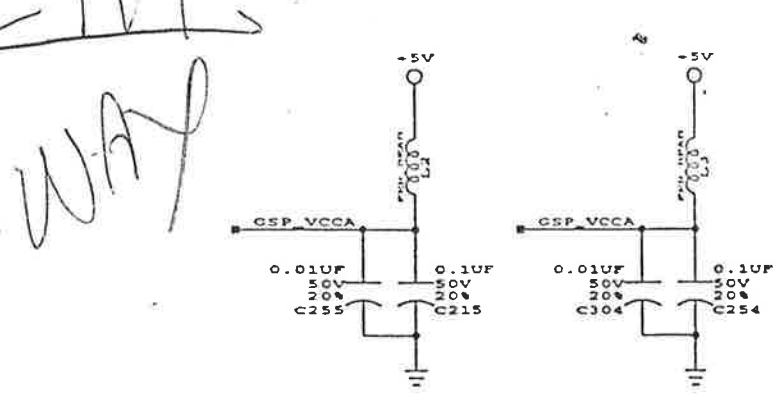
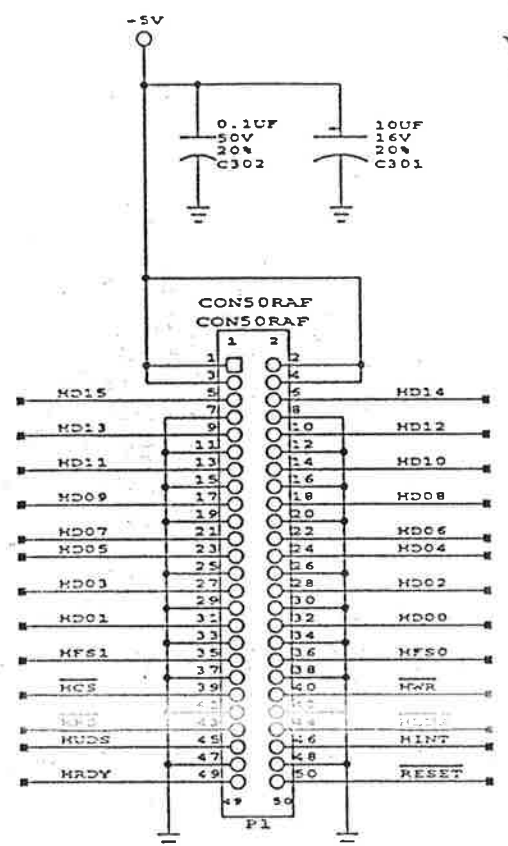
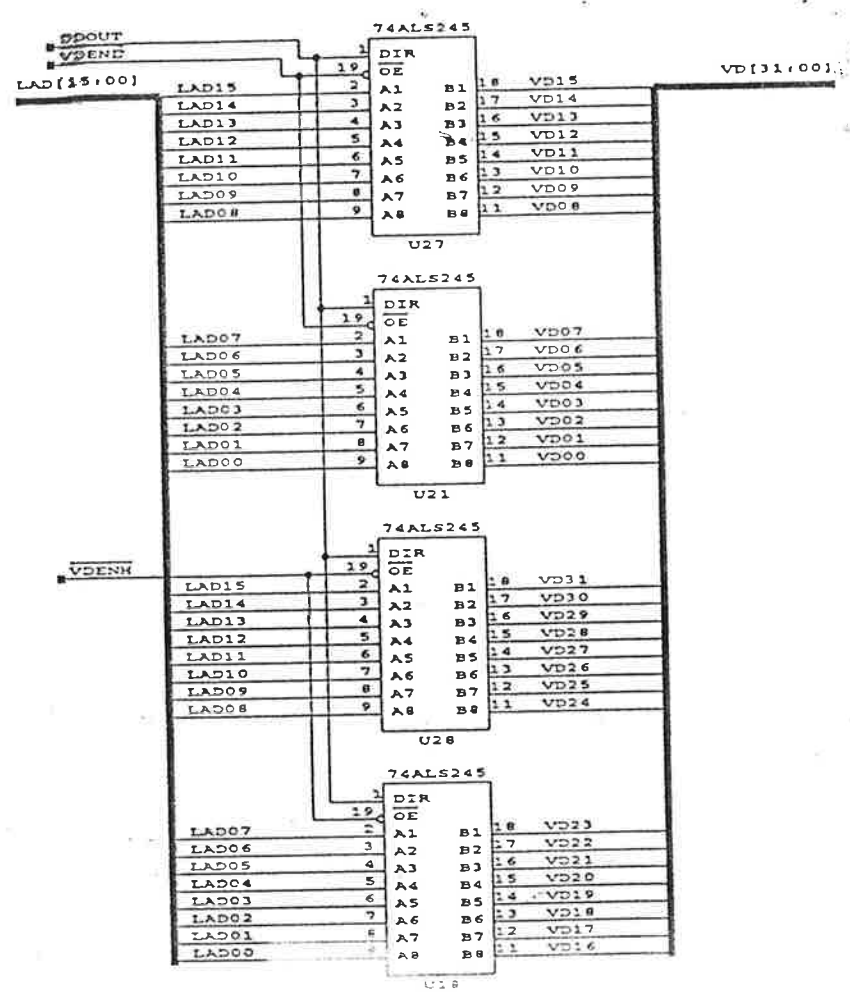


Host Interface

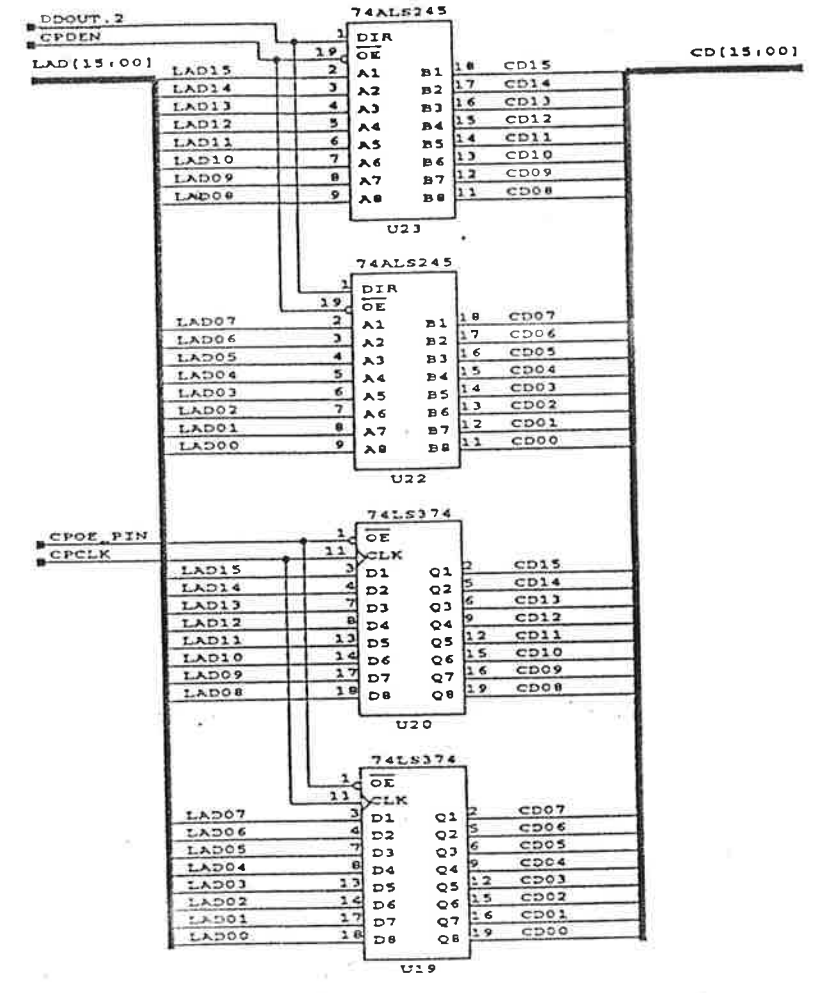
*MK III
MIDWAY*



ECN		CHANGE		DATE
INFORMATION CONTAINED HEREIN IS CONFIDENTIAL PROPERTY AND MAY NOT BE USED OR DISCLOSED WITHOUT EXPRESS WRITTEN CONSENT FROM THE COMPANY.				
PROJECT ENG.	RSC/JML/JK	1ST PROJ. NO.	40030	DATE
DWN. BY	JML	DATE	4-7-1995_0140	DATE
CHECKED		DATE		DATE
APPROVED		DATE		DATE
TITLE		34010 PROCESSOR		
PART NO.		1/26		
REV.				



VIDEO DATA
BUS BUFFERS



COLOR PALETTE
BUS BUFFERS/LATCHES

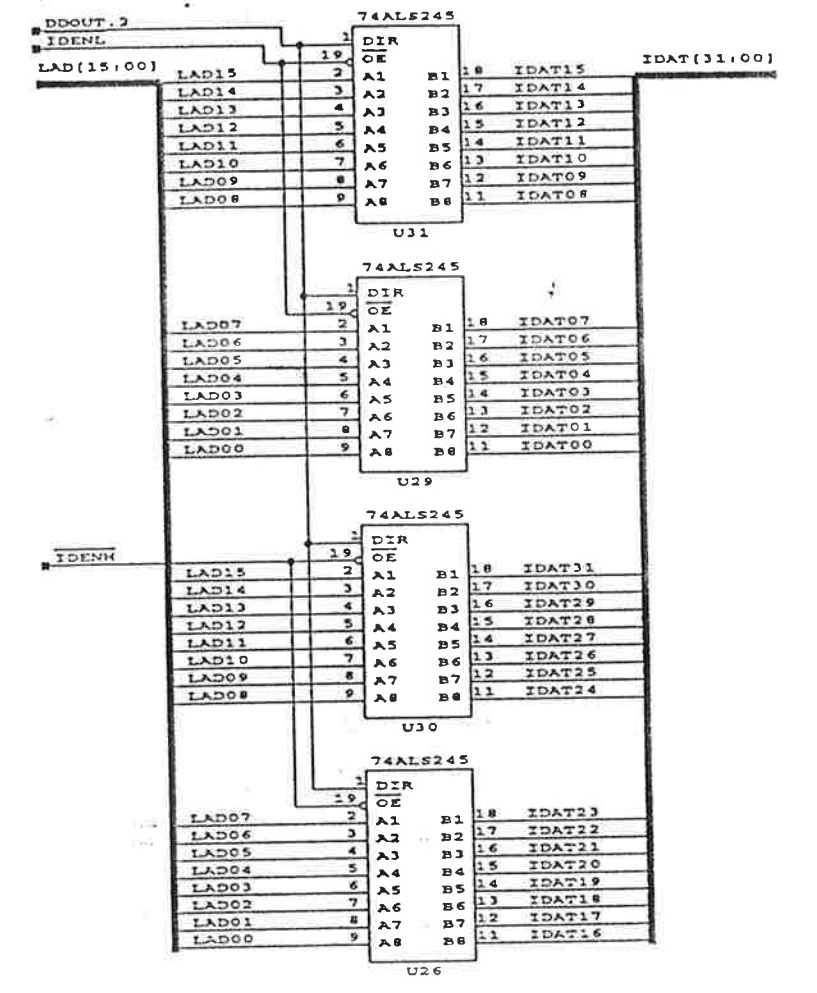
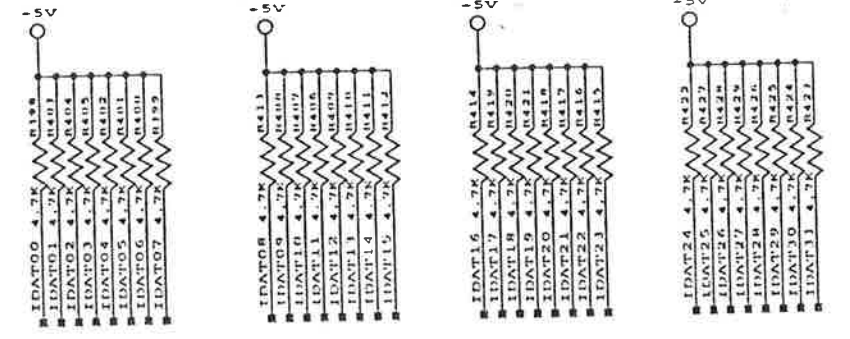
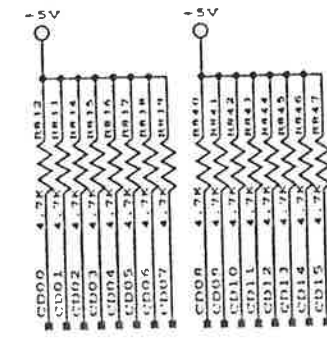
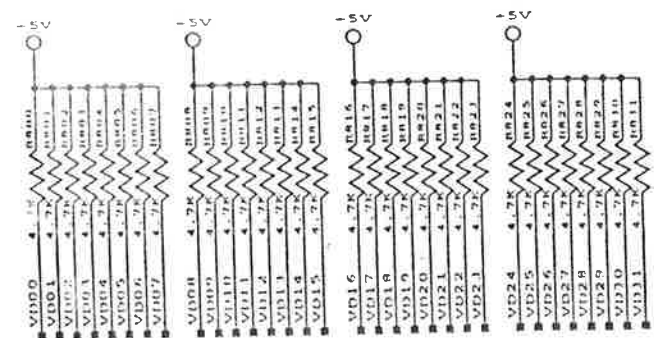
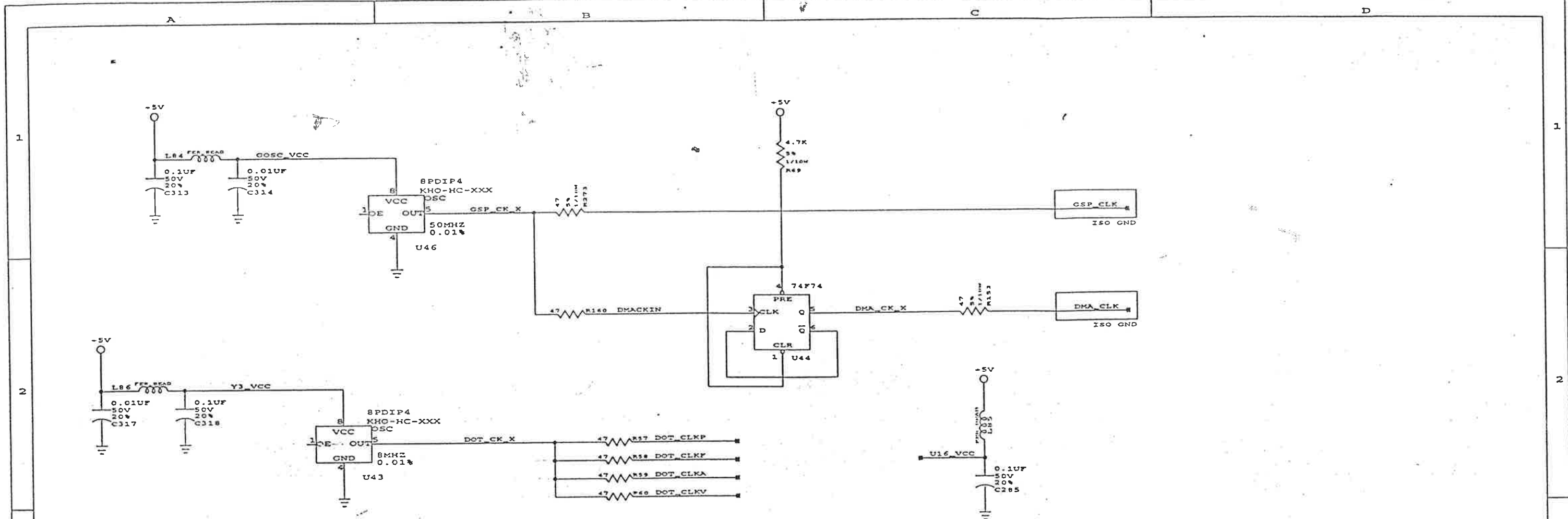


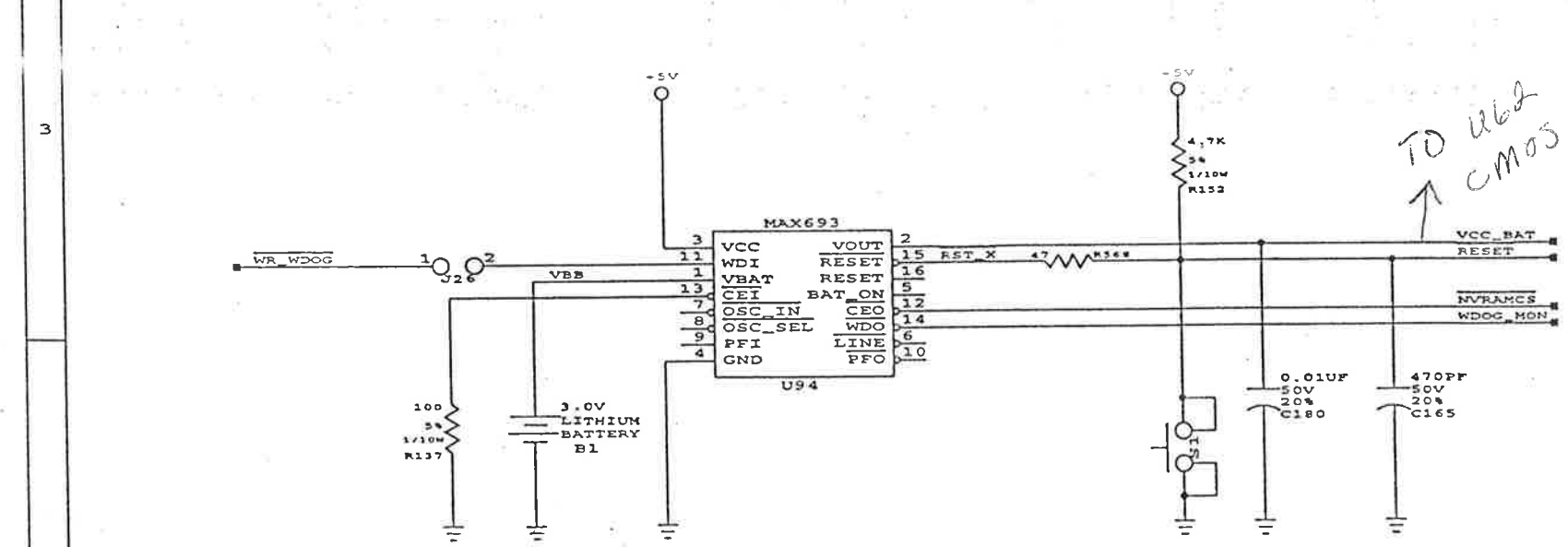
IMAGE DATA
BUS BUFFERS



ECN		CHANGE		DATE
INFORMATION CONTAINED HEREIN IS CONFIDENTIAL PROPERTY AND MAY NOT BE USED OR DISCLOSED WITHOUT EXPRESS WRITTEN CONSENT FROM THE COMPANY.				
PROJECT ENG.	RSC/JML/JK	1ST PROJ. NO.	40030	DATE
DWN. BY	JML	DATE	4-7-1995_0139	DATE
CHECKED		DATE		DATE
APPROVED		DATE		DATE
SHEET		OF		PART NO.
5		26		REV.
TITLE				MEMORY BUFFERS
WILLIAMS ELECTRONICS GAMES				
MIDWAY MANUFACTURING CO.				
3401 N. CALIFORNIA AVENUE				
CHICAGO ILLINOIS USA				



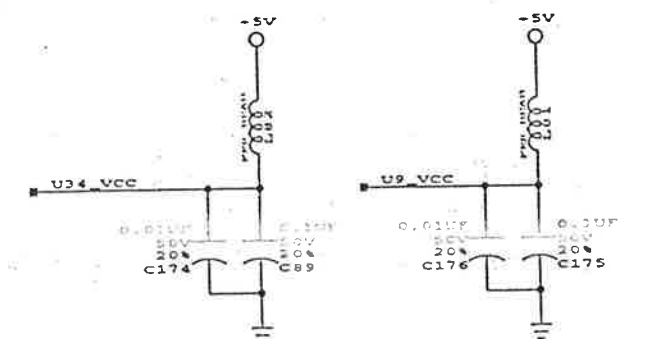
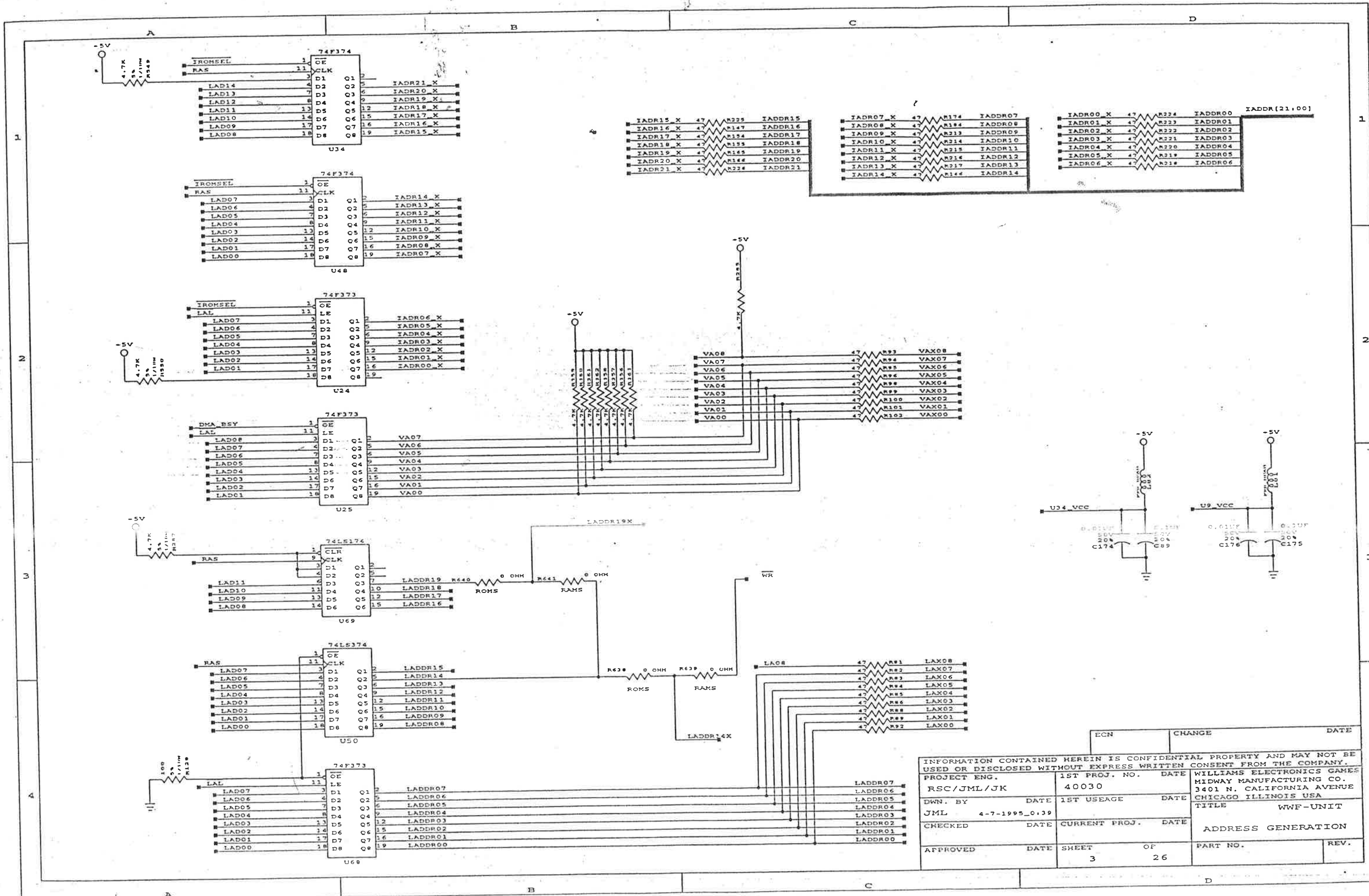
DOT_CLK routes to 34010, PIC, V-Lock ASIC, and video output



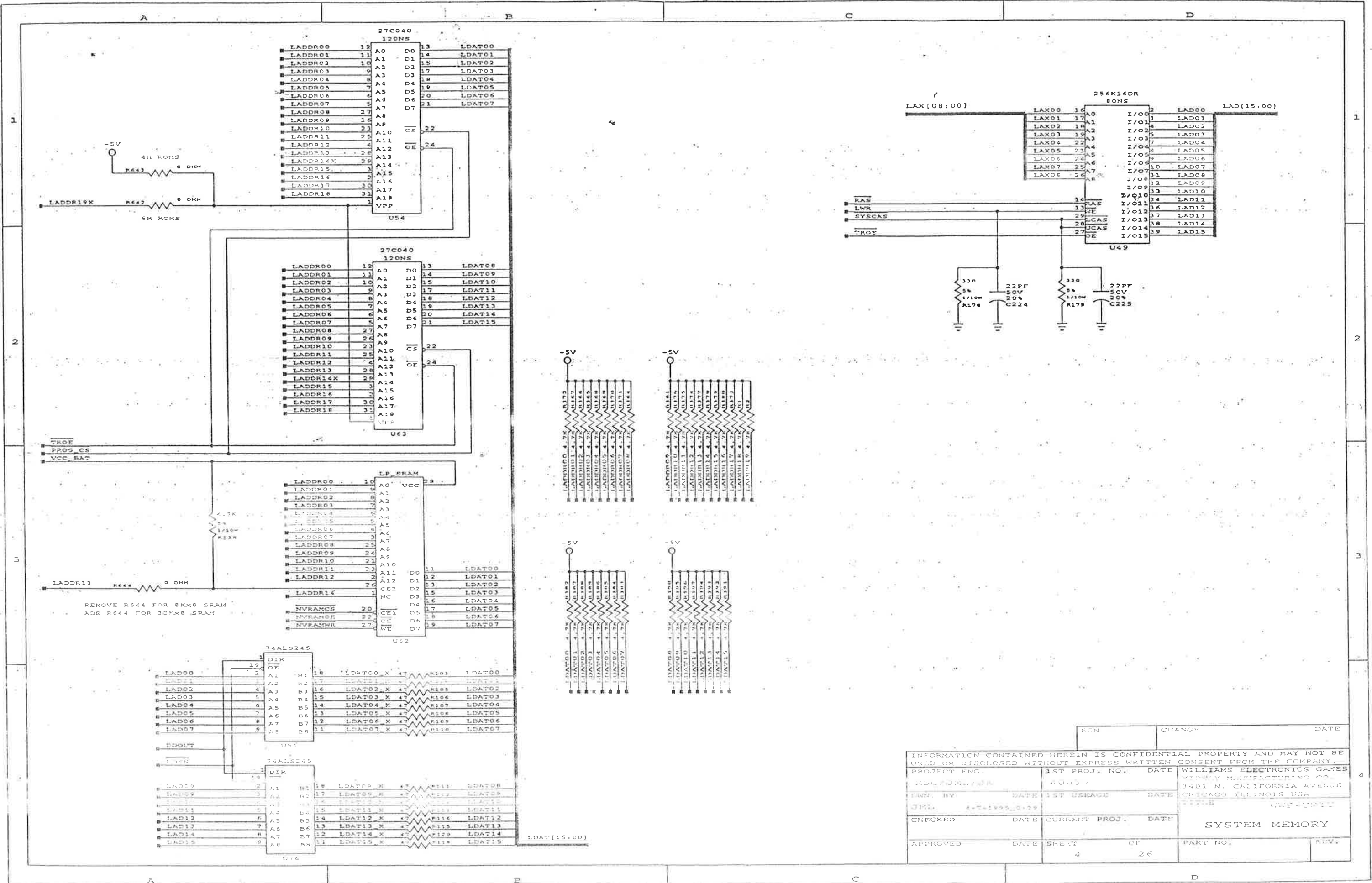
TO u62
↑
CMOS

NO BATTERY = NO PWR UP!
SHORT BATTERY HOLDER + TO - SHOULD PWR UP!

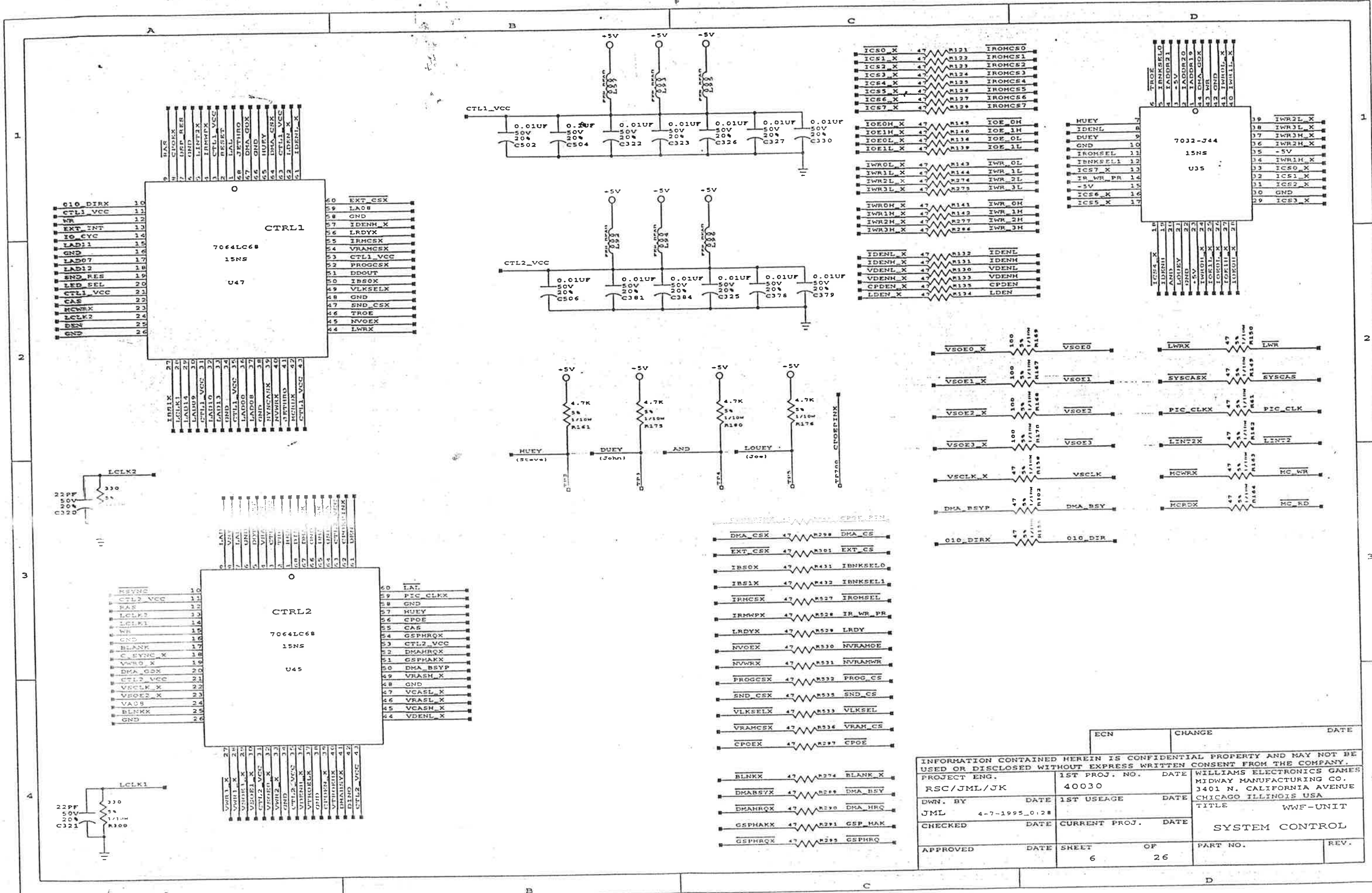
ECN		CHANGE		DATE
INFORMATION CONTAINED HEREIN IS CONFIDENTIAL PROPERTY AND MAY NOT BE USED OR DISCLOSED WITHOUT EXPRESS WRITTEN CONSENT FROM THE COMPANY.				
PROJECT ENG.	1ST PROJ. NO.	DATE	WILLIAMS ELECTRONICS GAMES MIDWAY MANUFACTURING CO. 3401 N. CALIFORNIA AVENUE CHICAGO ILLINOIS USA	
RSC/JML/JK	40030			
DWN. BY	DATE	1ST USAGE	DATE	TITLE
JML	4-7-1995_0.139			WWF-UNIT CLOCK GEN AND WATCHDOG
CHECKED	DATE	CURRENT PROJ.	DATE	PART NO.
				REV.
APPROVED	DATE	SHEET	OF	
		2	26	



ECN	CHANGE	DATE
INFORMATION CONTAINED HEREIN IS CONFIDENTIAL PROPERTY AND MAY NOT BE USED OR DISCLOSED WITHOUT EXPRESS WRITTEN CONSENT FROM THE COMPANY.		
PROJECT ENG.	1ST PROJ. NO.	DATE
RSC/JML/JK	40030	
DWN. BY	DATE	1ST USAGE
JML	4-7-1995_0139	
CHECKED	DATE	CURRENT PROJ. DATE
APPROVED	DATE	SHEET 3 OF 26
PART NO.		REV.
ADDRESS GENERATION		
TITLE WWF-UNIT		
MIDWAY MANUFACTURING CO. 3401 N. CALIFORNIA AVENUE CHICAGO ILLINOIS USA		
WILLIAMS ELECTRONICS GAMES		

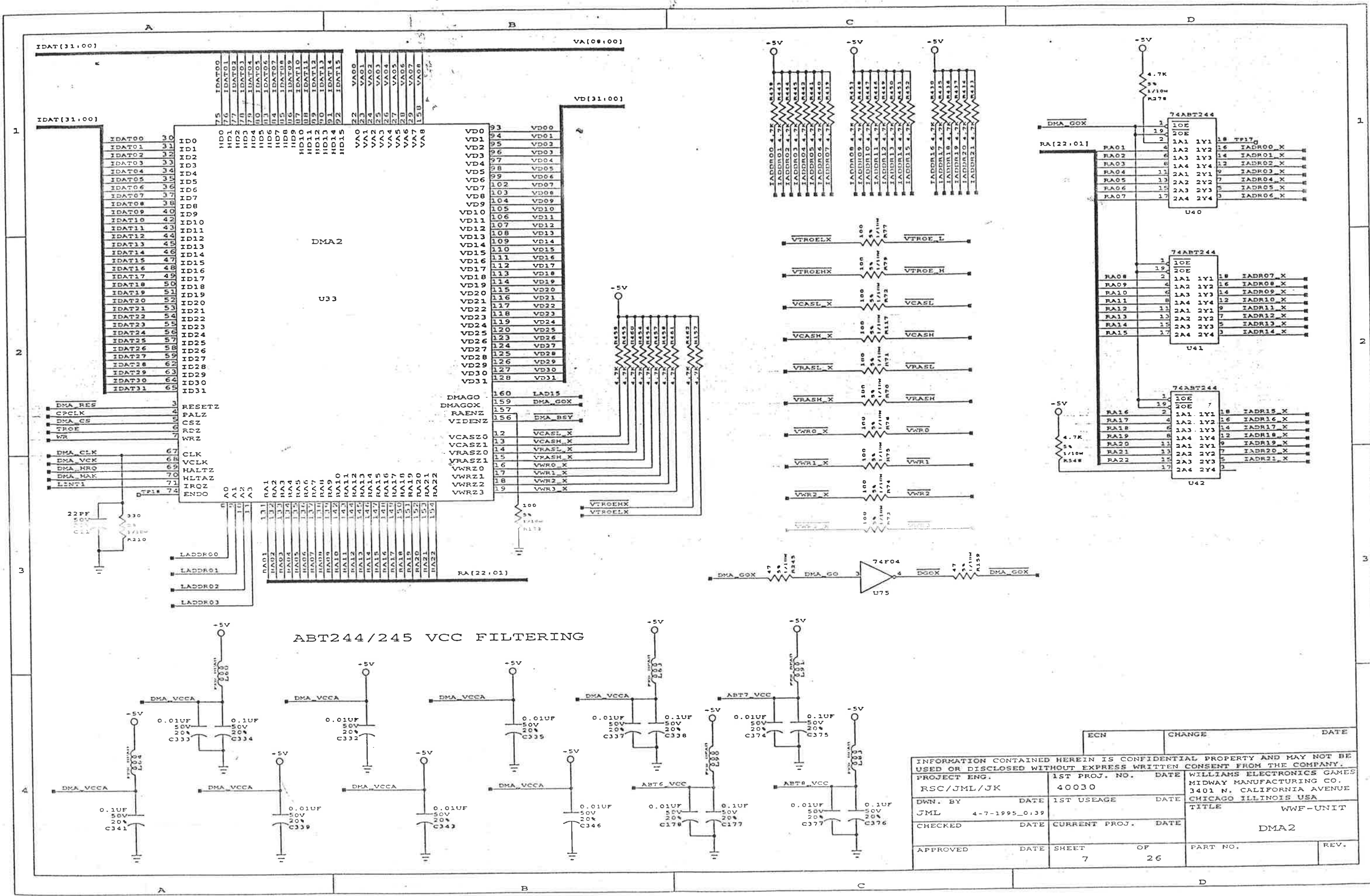


ECN	CHANGE	DATE
INFORMATION CONTAINED HEREIN IS CONFIDENTIAL PROPERTY AND MAY NOT BE USED OR DISCLOSED WITHOUT EXPRESS WRITTEN CONSENT FROM THE COMPANY.		
PROJECT ENG.	1ST PROJ. NO.	DATE
DESIGNED BY	40050	WILLIAMS ELECTRONICS GAMES MIDWAY MANUFACTURING CO. 3401 N. CALIFORNIA AVENUE CHICAGO, ILLINOIS USA
DRAWN BY	DATE	1ST USAGE
JML	4-7-1995_0:29	
CHECKED	DATE	CURRENT PROJ. DATE
APPROVED	DATE	SHEET OF PART NO. REV.
	4	26



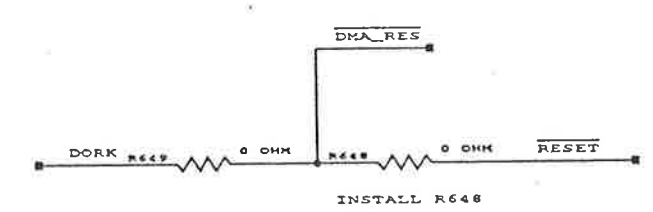
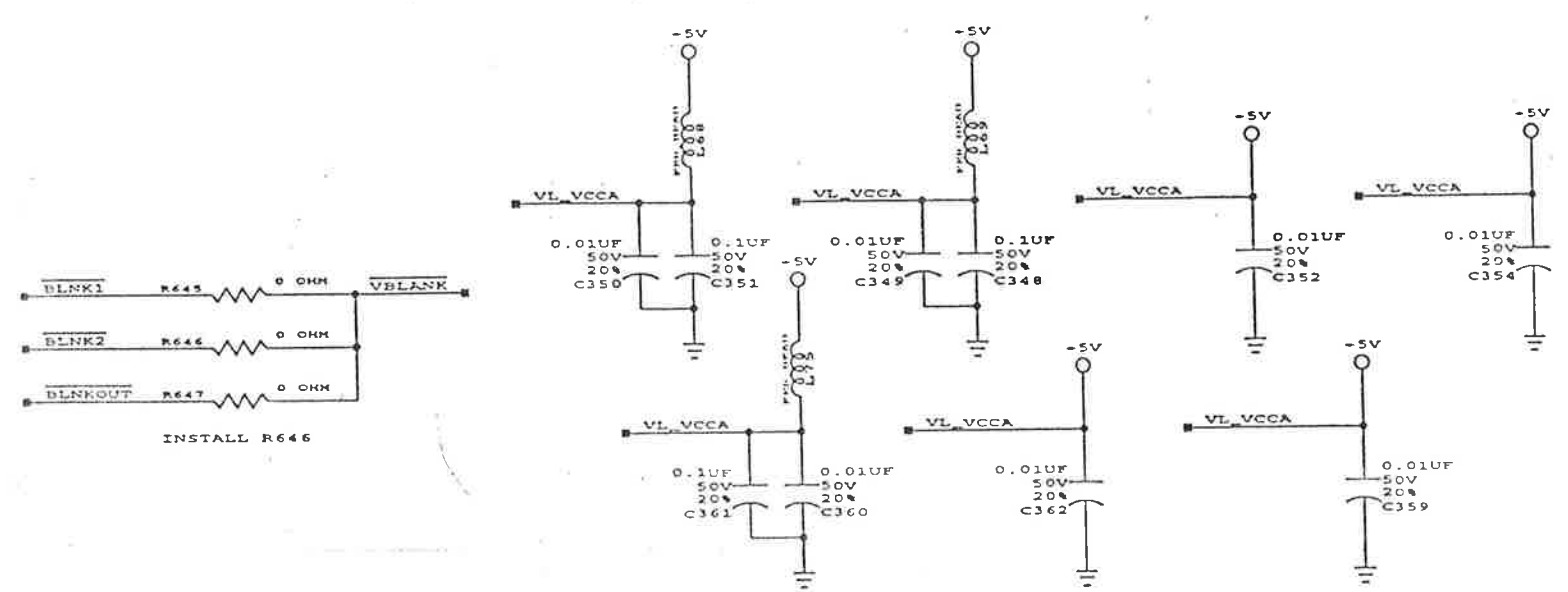
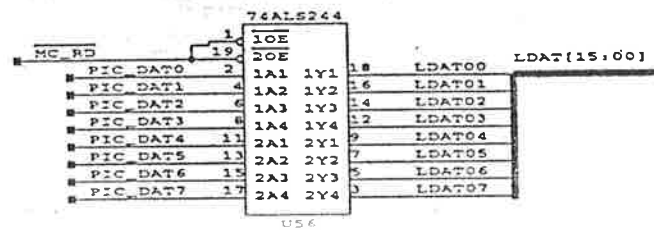
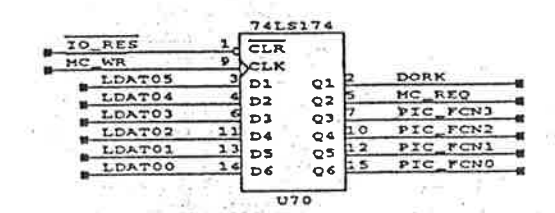
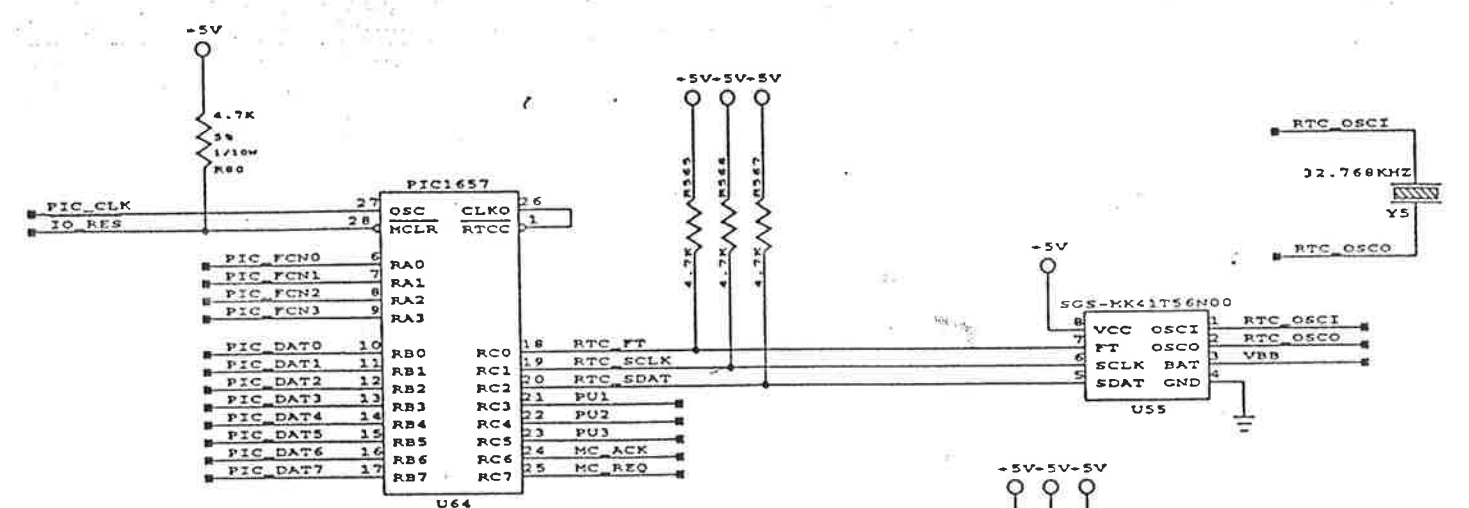
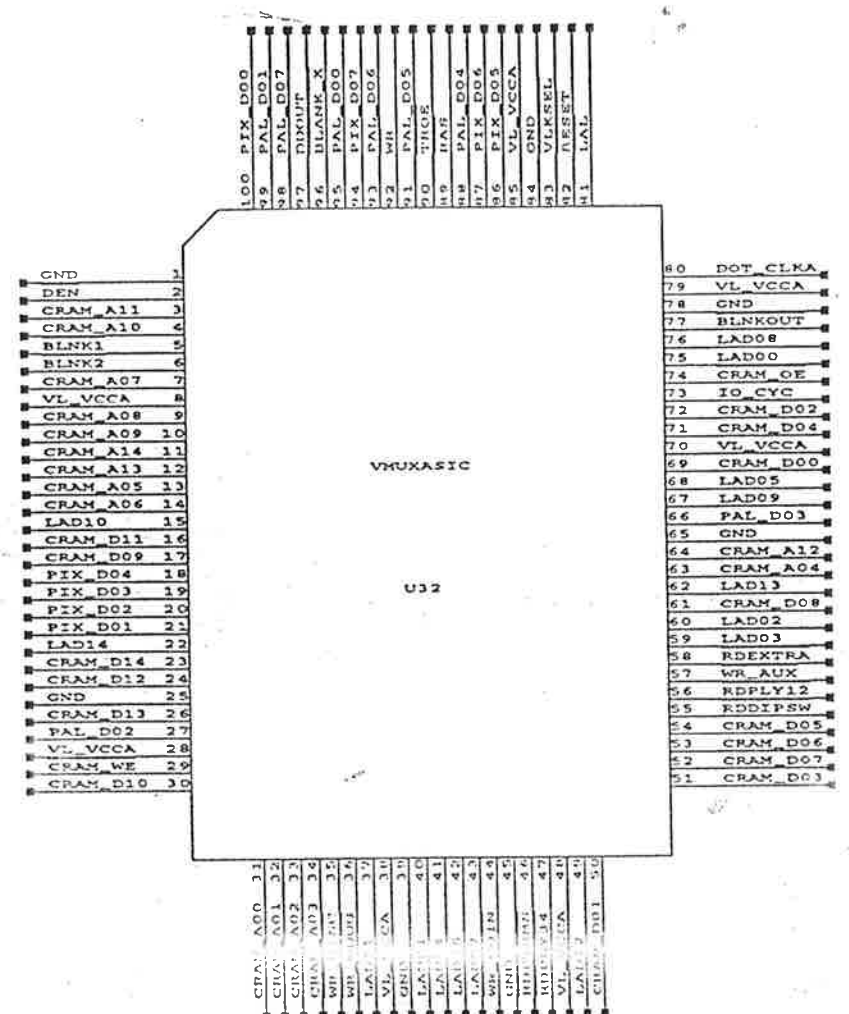
ECN	CHANGE	DATE
INFORMATION CONTAINED HEREIN IS CONFIDENTIAL PROPERTY AND MAY NOT BE USED OR DISCLOSED WITHOUT EXPRESS WRITTEN CONSENT FROM THE COMPANY.		
PROJECT ENG.	1ST PROJ. NO.	DATE
RSC/JML/JK	40030	
DWN. BY	DATE	1ST USAGE
JML	4-7-1995_0.28	
CHECKED	DATE	CURRENT PROJ.
APPROVED	DATE	SHEET
		6
	OF	26
PART NO.		REV.

WILLIAMS ELECTRONICS GAMES
 MIDWAY MANUFACTURING CO.
 3401 N. CALIFORNIA AVENUE
 CHICAGO ILLINOIS USA
 TITLE: WWF-UNIT
 SYSTEM CONTROL



ABT244/245 VCC FILTERING

ECN	CHANGE	DATE
INFORMATION CONTAINED HEREIN IS CONFIDENTIAL PROPERTY AND MAY NOT BE USED OR DISCLOSED WITHOUT EXPRESS WRITTEN CONSENT FROM THE COMPANY.		
PROJECT ENG.	1ST PROJ. NO.	DATE
RSC/JML/JK	40030	
DWN. BY	DATE	1ST USAGE
JML	4-7-1995_0.39	
CHECKED	DATE	CURRENT PROJ.
APPROVED	DATE	SHEET
		7
		OF
		26
	PART NO.	REV.
	DMA2	

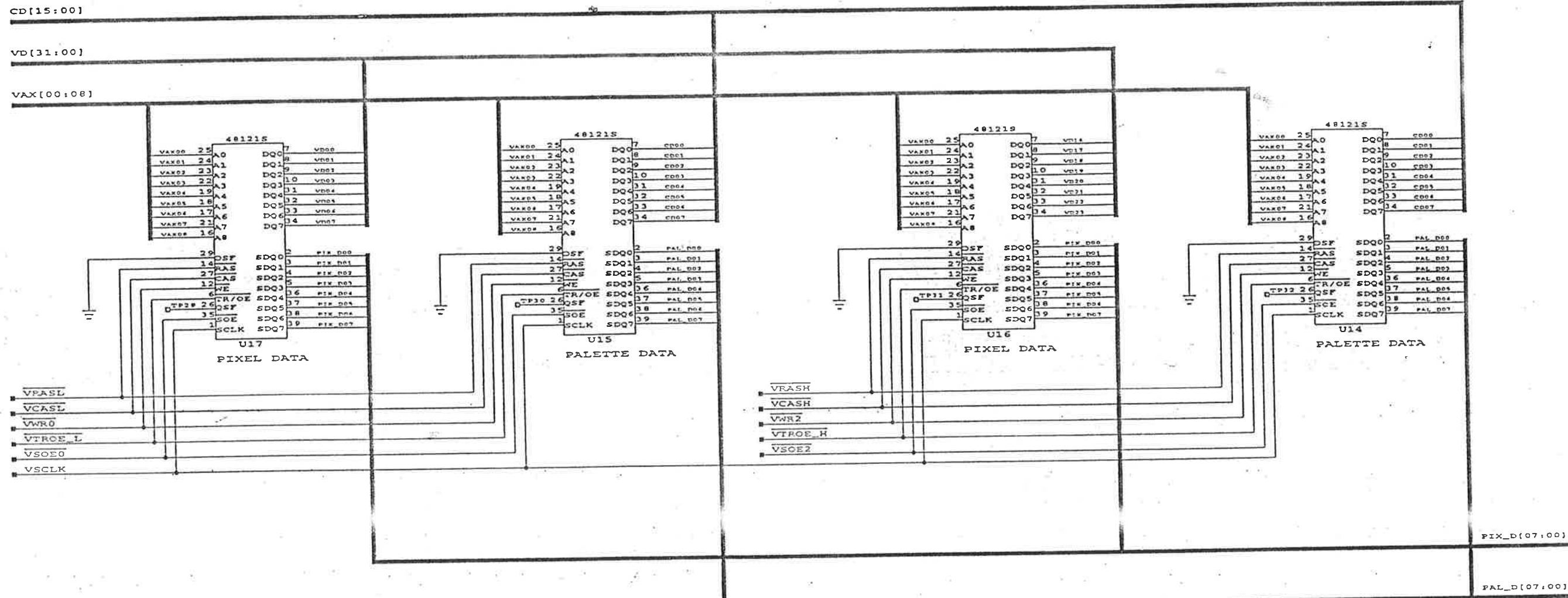


ECN	CHANGE	DATE
INFORMATION CONTAINED HEREIN IS CONFIDENTIAL PROPERTY AND MAY NOT BE USED OR DISCLOSED WITHOUT EXPRESS WRITTEN CONSENT FROM THE COMPANY.		
PROJECT ENG.	1ST PROJ. NO.	DATE
RSC/JML/JK	40030	
DWN. BY	DATE	1ST USAGE
JML	4-7-1995_0.39	
CHECKED	DATE	CURRENT PROJ.
APPROVED	DATE	SHEET OF
		8 26
TITLE		PART NO.
V-LOCK ASIC AND PIC CONTROLLER		
REV.		

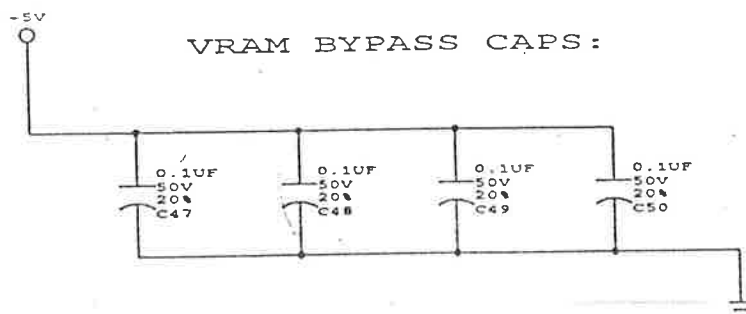
BAD RAM CHECK PIN 20 VCC +5V

VIDEO RAM - BANK 0

VIDEO RAM - BANK 2



VRAM BYPASS CAPS:

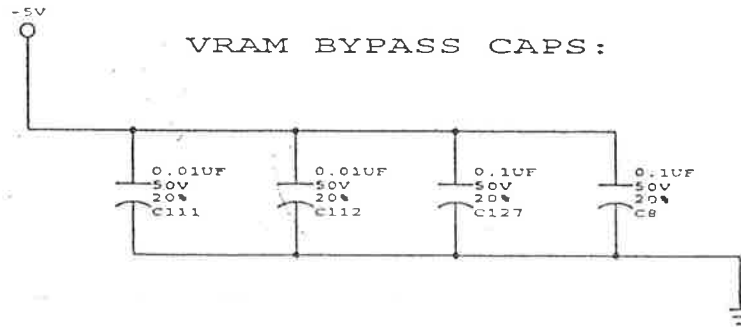
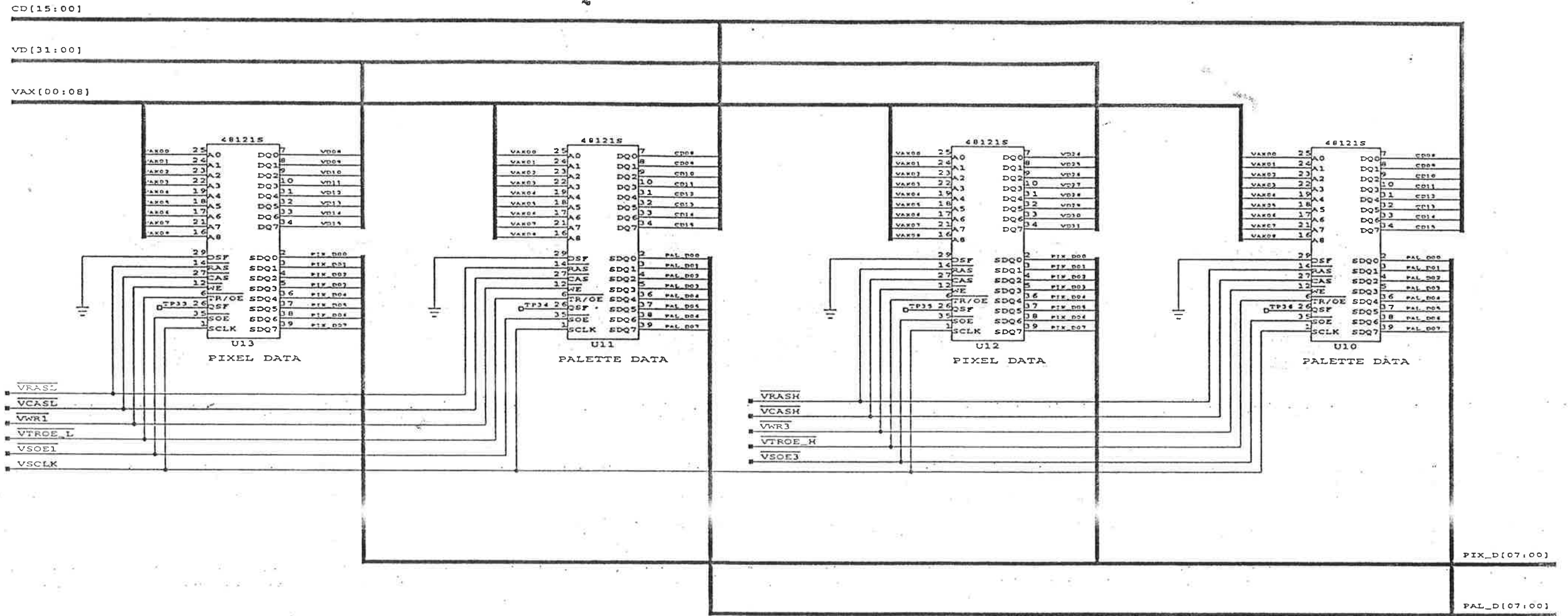


ECN	CHANGE	DATE
INFORMATION CONTAINED HEREIN IS CONFIDENTIAL PROPERTY AND MAY NOT BE USED OR DISCLOSED WITHOUT EXPRESS WRITTEN CONSENT FROM THE COMPANY.		
PROJECT ENG.	1ST PROJ. NO.	DATE
RSC/JML/JK	40030	
DWN. BY	DATE	1ST USAGE DATE
JML	4-7-1995_0.38	
CHECKED	DATE	CURRENT PROJ. DATE
APPROVED	DATE	SHEET OF
		9 26
PART NO.		REV.

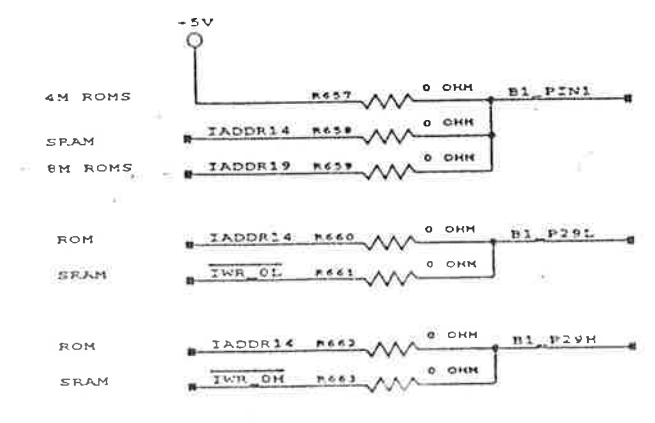
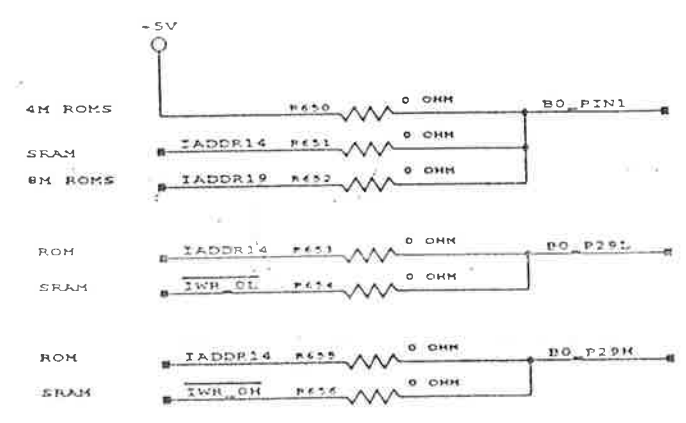
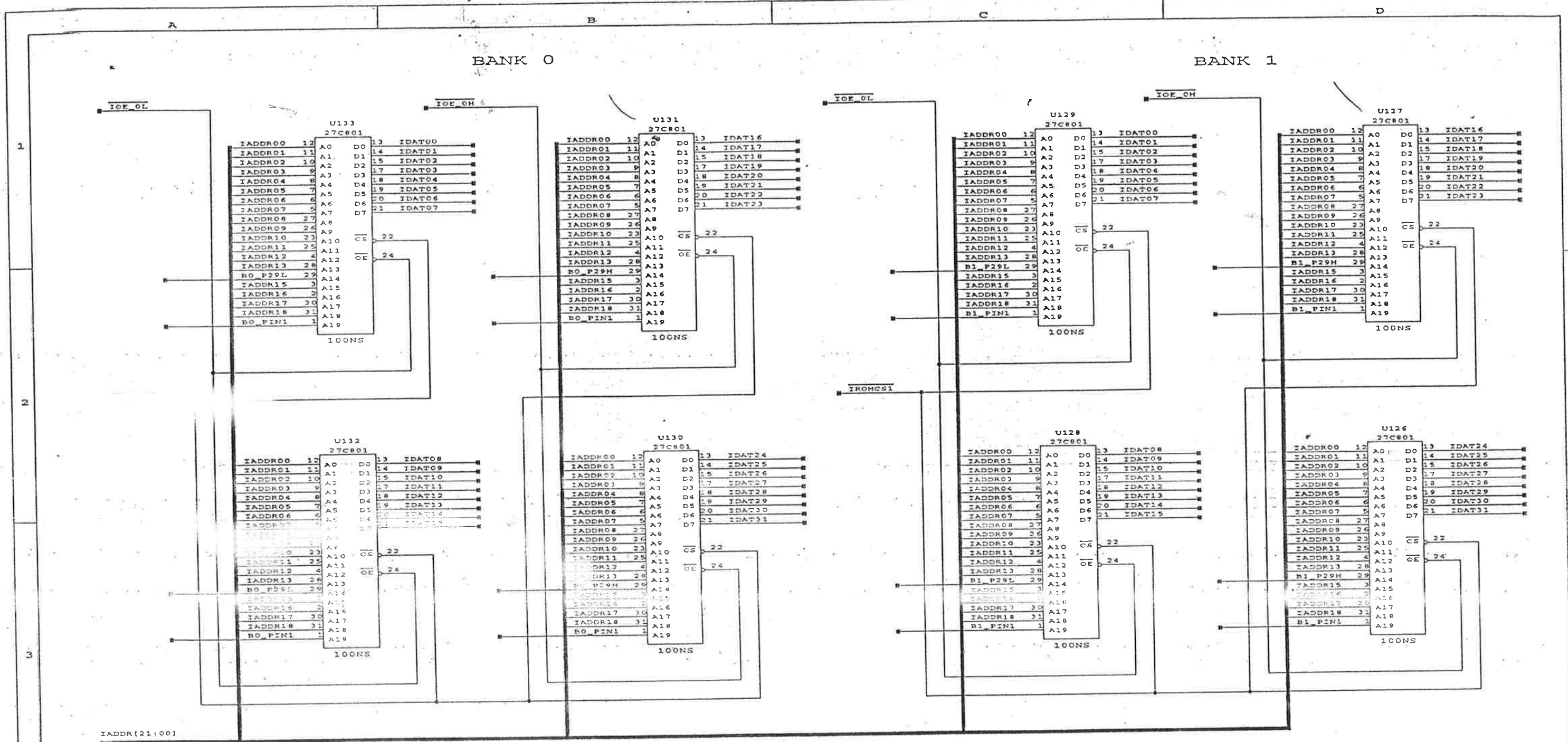
WILLIAMS ELECTRONICS GAMES
MIDWAY MANUFACTURING CO.
3401 N. CALIFORNIA AVENUE
CHICAGO ILLINOIS USA
TITLE WWF-UNIT
VIDEO RAM
BANKS 0/2

VIDEO RAM - BANK 1

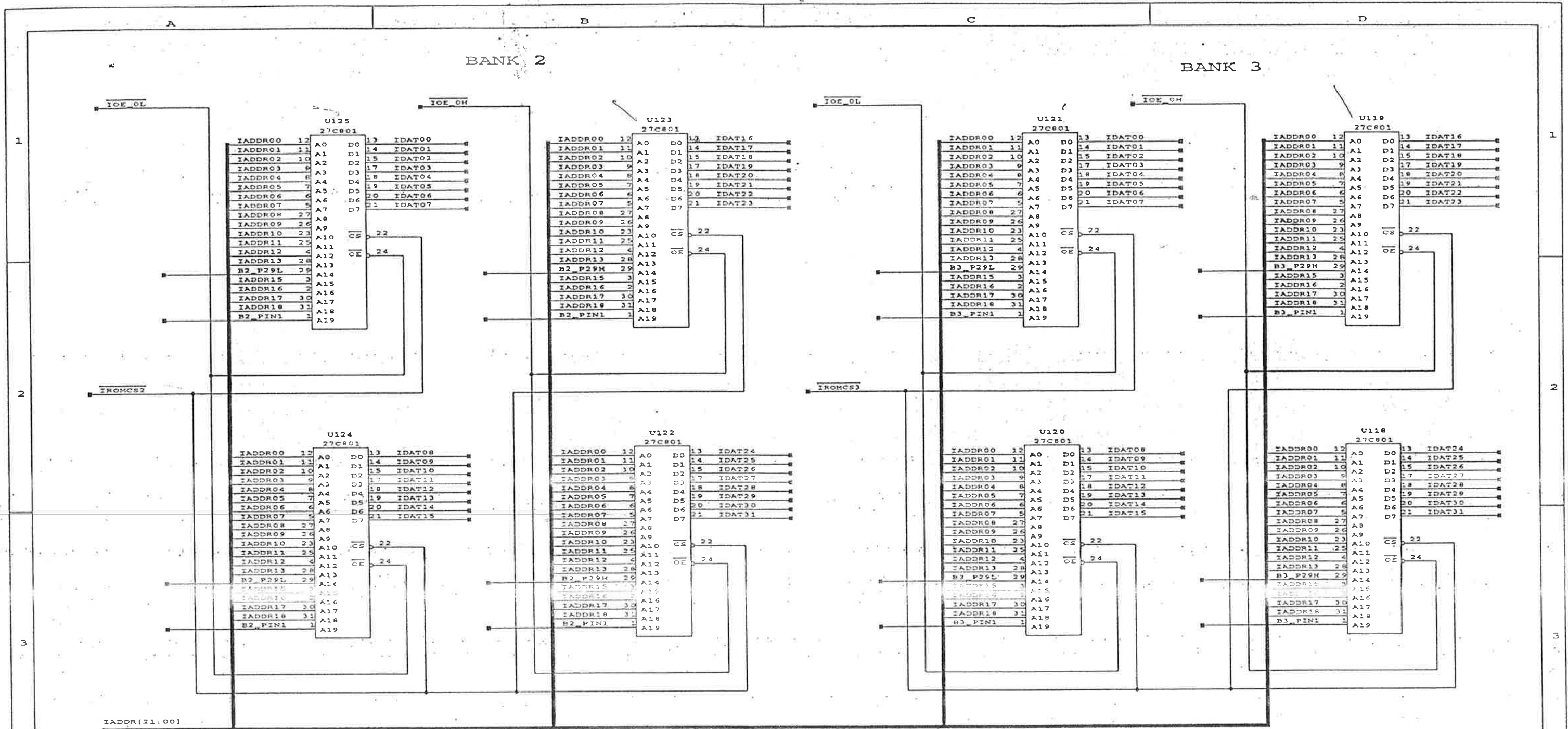
VIDEO RAM - BANK 3



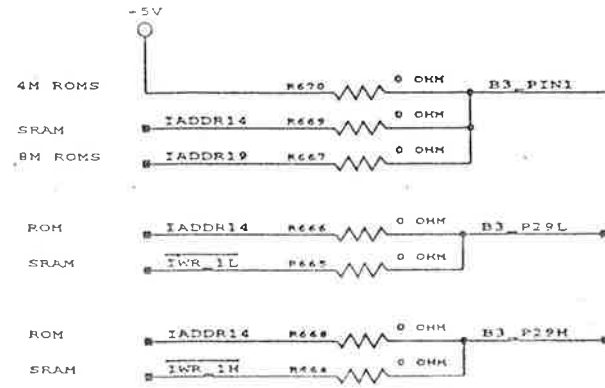
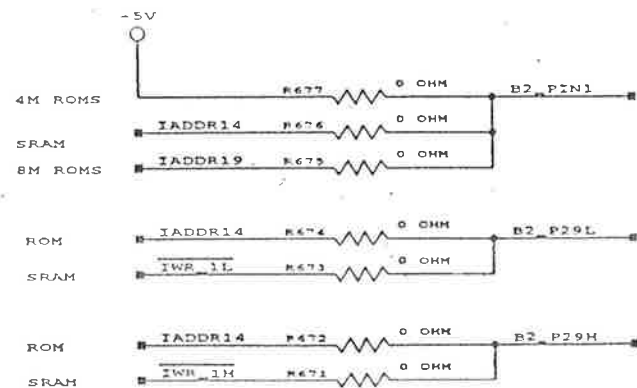
ECN	CHANGE	DATE
INFORMATION CONTAINED HEREIN IS CONFIDENTIAL PROPERTY AND MAY NOT BE USED OR DISCLOSED WITHOUT EXPRESS WRITTEN CONSENT FROM THE COMPANY.		
PROJECT ENG.	1ST PROJ. NO.	DATE
RSC/JML/JK	40030	
DWN. BY	DATE	1ST USAGE
JML	4-7-1995_0.38	
CHECKED	DATE	CURRENT PROJ. DATE
APPROVED	DATE	SHEET OF
		10 26
TITLE		REV.
WWF-UNIT		
VIDEO RAM		
BANKS 1/3		
PART NO.		



ECN		CHANGE		DATE
INFORMATION CONTAINED HEREIN IS CONFIDENTIAL PROPERTY AND MAY NOT BE USED OR DISCLOSED WITHOUT EXPRESS WRITTEN CONSENT FROM THE COMPANY.				
PROJECT ENG.	1ST PROJ. NO.	DATE	WILLIAMS ELECTRONICS GAMES MIDWAY MANUFACTURING CO. 3401 N. CALIFORNIA AVENUE CHICAGO ILLINOIS USA	
RSC/JML/JK	40030		TITLE WWF-UNIT	
DWN. BY	DATE	1ST USAGE	DATE	IMAGE ROMS BANKS 0/1
JML	4-7-1995_0138			
CHECKED	DATE	CURRENT PROJ.	DATE	
APPROVED	DATE	SHEET	OF	PART NO. REV.
		11	26	



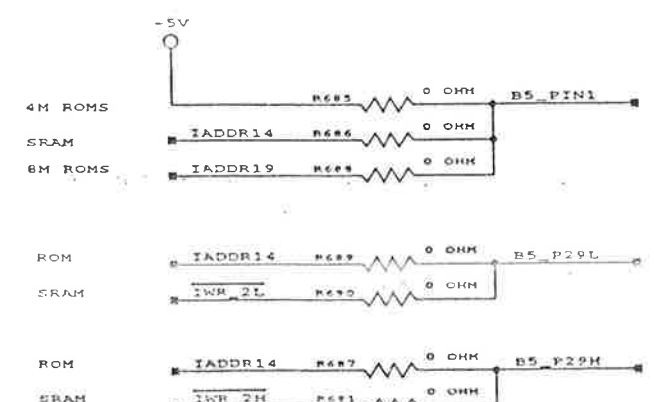
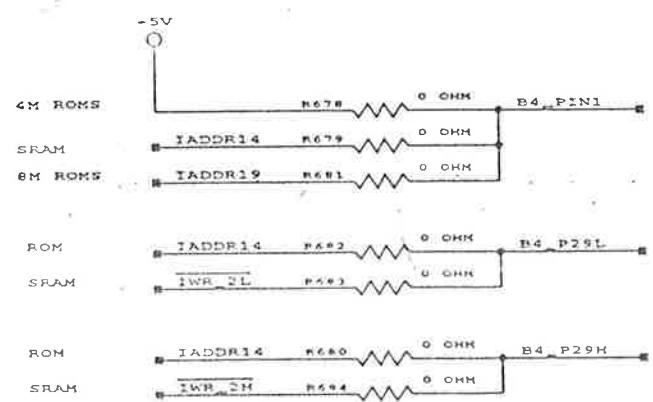
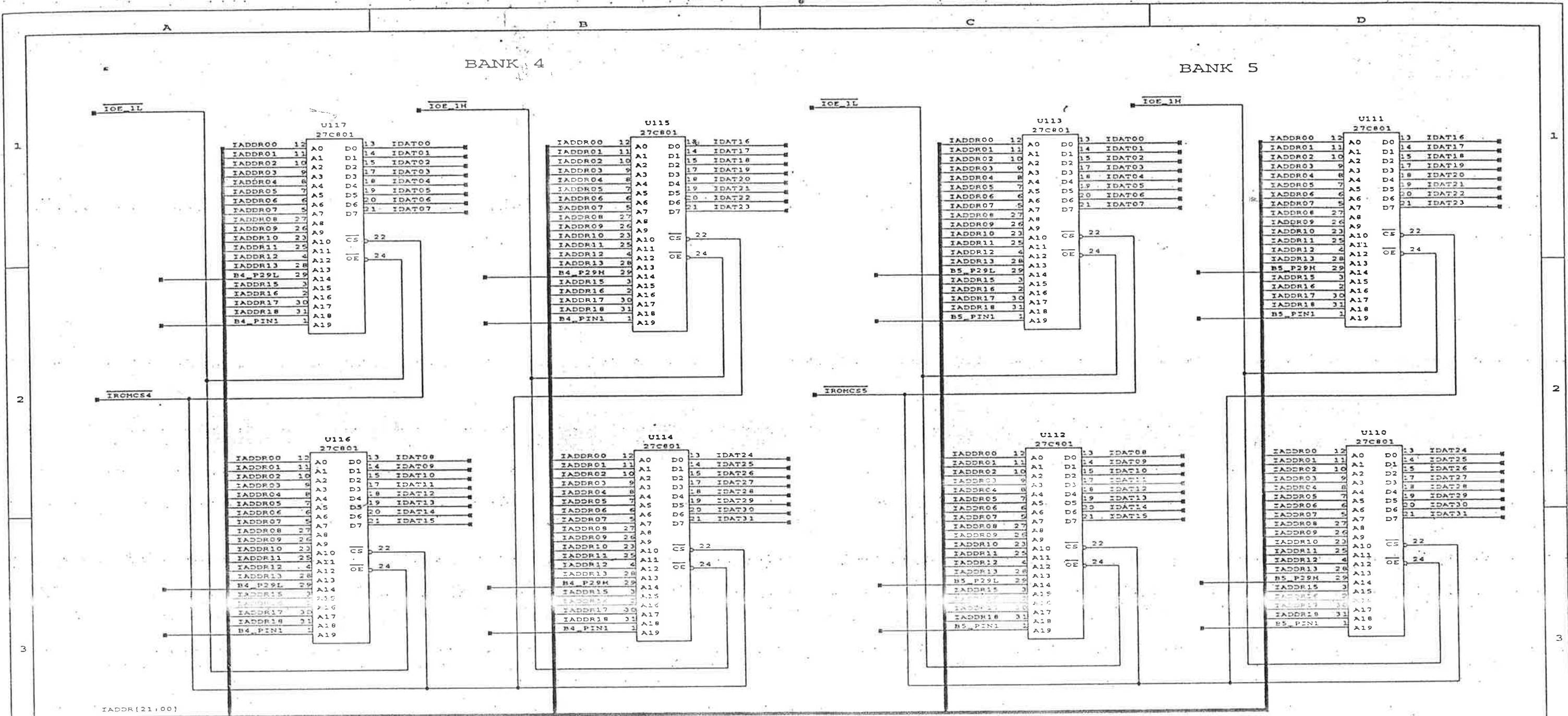
IADDR[21:00]



ECN		CHANGE		DATE
INFORMATION CONTAINED HEREIN IS CONFIDENTIAL PROPERTY AND MAY NOT BE USED OR DISCLOSED WITHOUT EXPRESS WRITTEN CONSENT FROM THE COMPANY.				
PROJECT ENG.	RSC/JML/JK	1ST PROJ. NO.	40030	DATE
DWN. BY	JML	DATE	4-7-1995_0.138	1ST USAGE DATE
CHECKED		DATE		CURRENT PROJ. DATE
APPROVED		DATE		SHEET OF
			12	26
PART NO.				REV.
WILLIAMS ELECTRONICS GAMES MIDWAY MANUFACTURING CO. 3401 N. CALIFORNIA AVENUE CHICAGO ILLINOIS USA				WWF-UNIT IMAGE ROMS BANKS 2 / 3

BANK 4

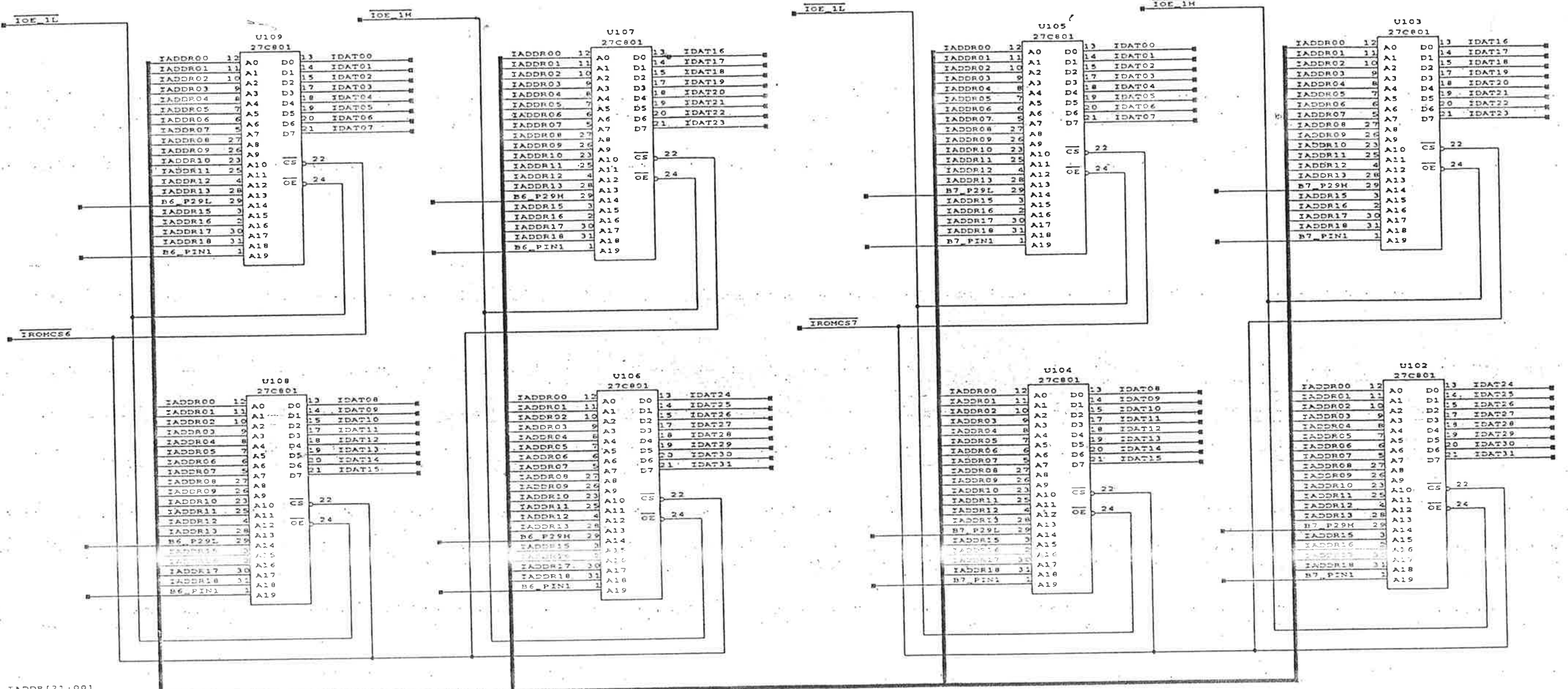
BANK 5



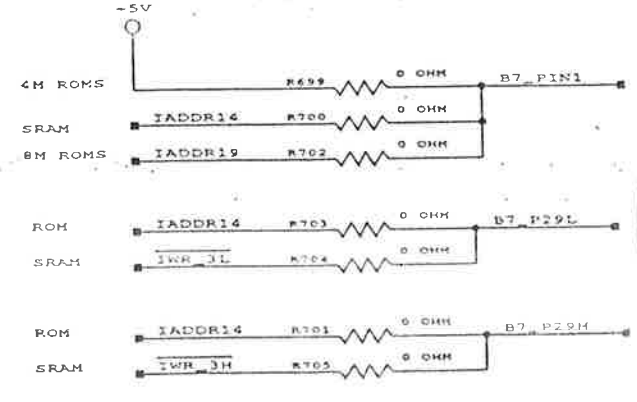
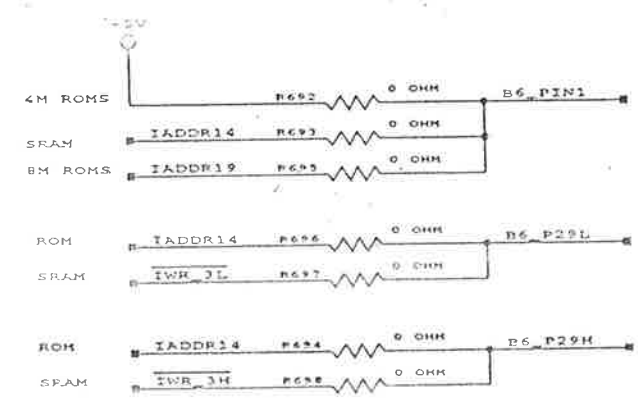
ECN		CHANGE		DATE
INFORMATION CONTAINED HEREIN IS CONFIDENTIAL PROPERTY AND MAY NOT BE USED OR DISCLOSED WITHOUT EXPRESS WRITTEN CONSENT FROM THE COMPANY.				
PROJECT ENG.	RSC/JML/JK	1ST PROJ. NO.	40030	DATE
DWN. BY	JML	DATE	4-7-1995_0.38	1ST USAGE DATE
CHECKED		DATE		CURRENT PROJ. DATE
APPROVED		DATE		SHEET 13 OF 26
TITLE				REV.
WVF-UNIT				
IMAGE ROMS				
BANKS 4/5				
PART NO.				

BANK 6

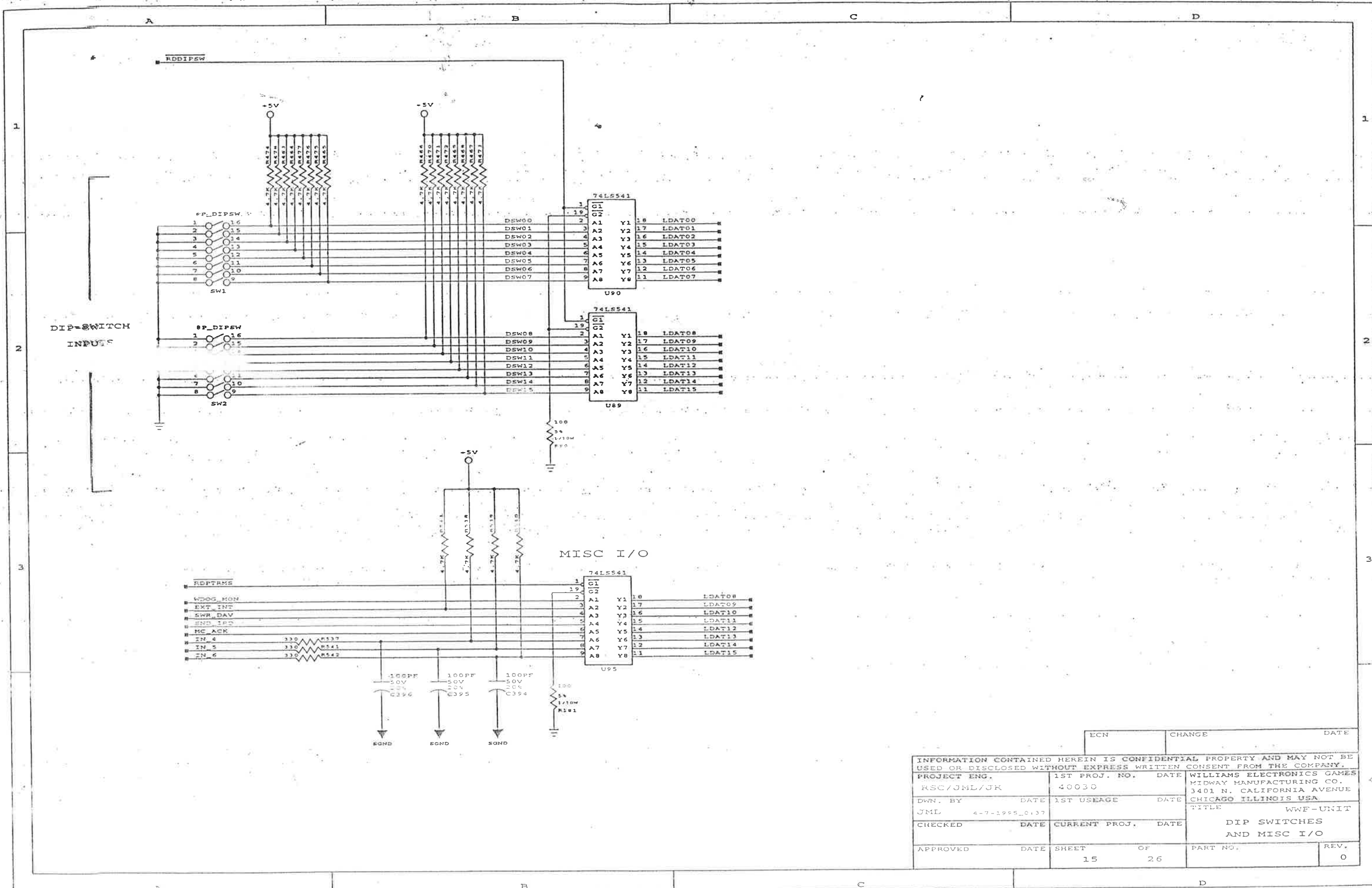
BANK 7



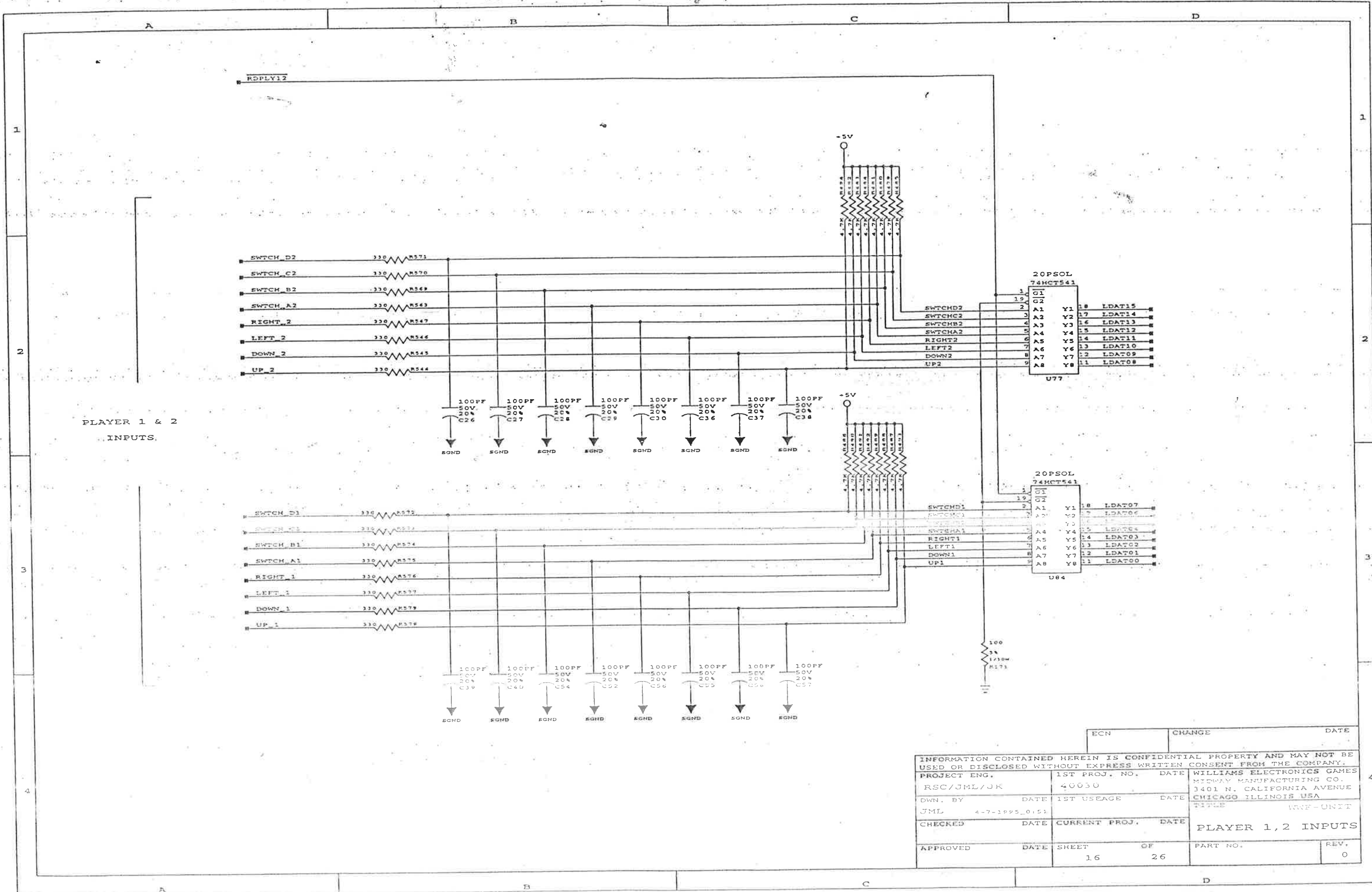
IADDR(21:00)



ECN		CHANGE		DATE
INFORMATION CONTAINED HEREIN IS CONFIDENTIAL PROPERTY AND MAY NOT BE USED OR DISCLOSED WITHOUT EXPRESS WRITTEN CONSENT FROM THE COMPANY.				
PROJECT ENG.	RSC/JML/JK	1ST PROJ. NO.	40030	DATE
DWN. BY	JML	1ST USAGE	DATE	DATE
CHECKED	DATE	CURRENT PROJ.	DATE	DATE
APPROVED	DATE	SHEET	14	OF 26
TITLE				REV.
WILLIAMS ELECTRONICS GAMES MIDWAY MANUFACTURING CO. 3401 N. CALIFORNIA AVENUE CHICAGO ILLINOIS USA				WWF-UNIT
IMAGE ROMS BANKS 6/7				PART NO.

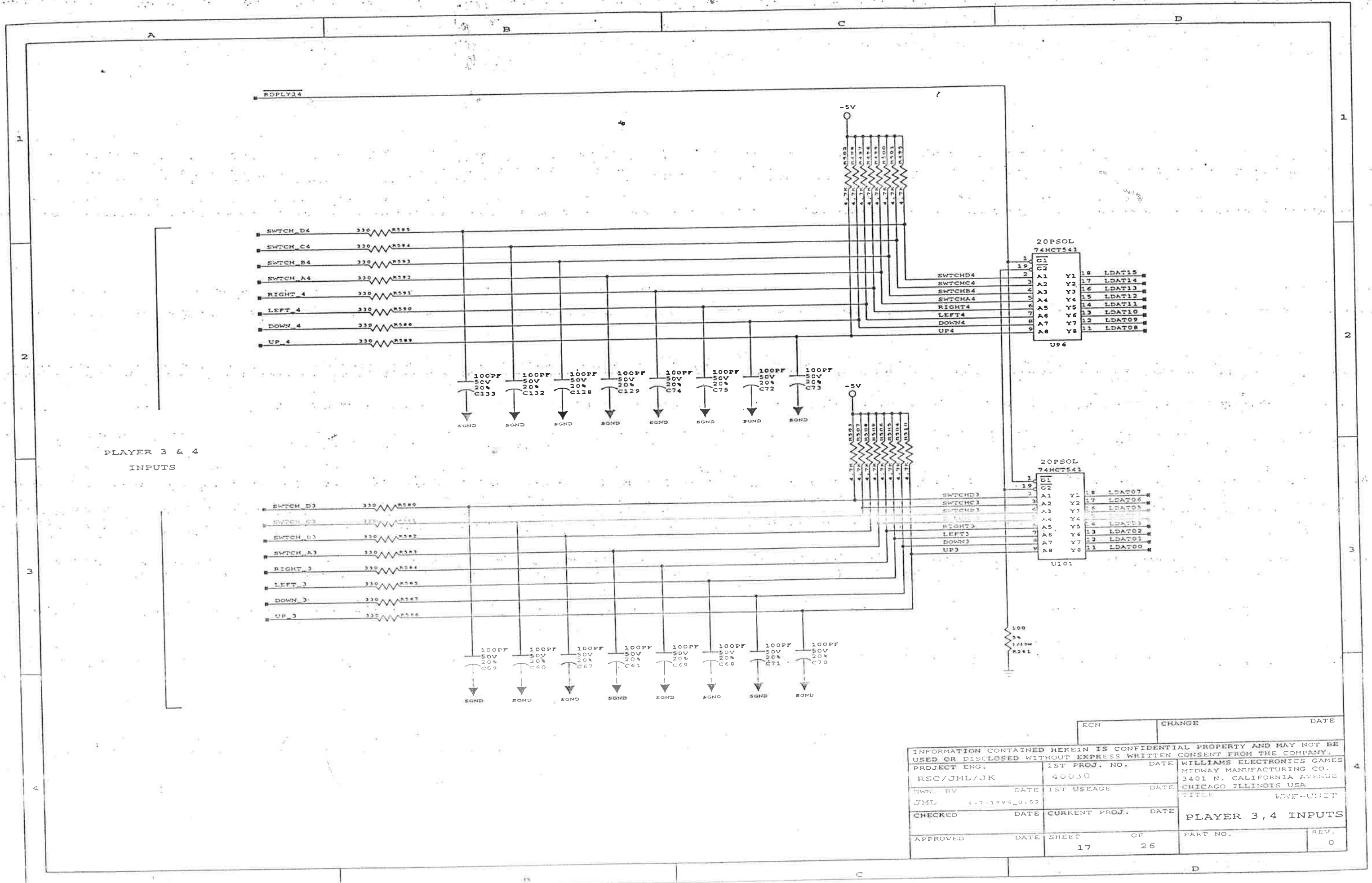


ECN		CHANGE		DATE
INFORMATION CONTAINED HEREIN IS CONFIDENTIAL PROPERTY AND MAY NOT BE USED OR DISCLOSED WITHOUT EXPRESS WRITTEN CONSENT FROM THE COMPANY.				
PROJECT ENG.	1ST PROJ. NO.	DATE	WILLIAMS ELECTRONICS GAMES	
RSC/JML/JK	40030		MIDWAY MANUFACTURING CO.	
DWN. BY	DATE	1ST USAGE	3401 N. CALIFORNIA AVENUE	
JML	4-7-1995_0.137		CHICAGO ILLINOIS USA	
CHECKED	DATE	CURRENT PROJ.	DATE	TITLE
				DIP SWITCHES AND MISC I/O
APPROVED	DATE	SHEET	OF	PART NO.
		15	26	REV. 0



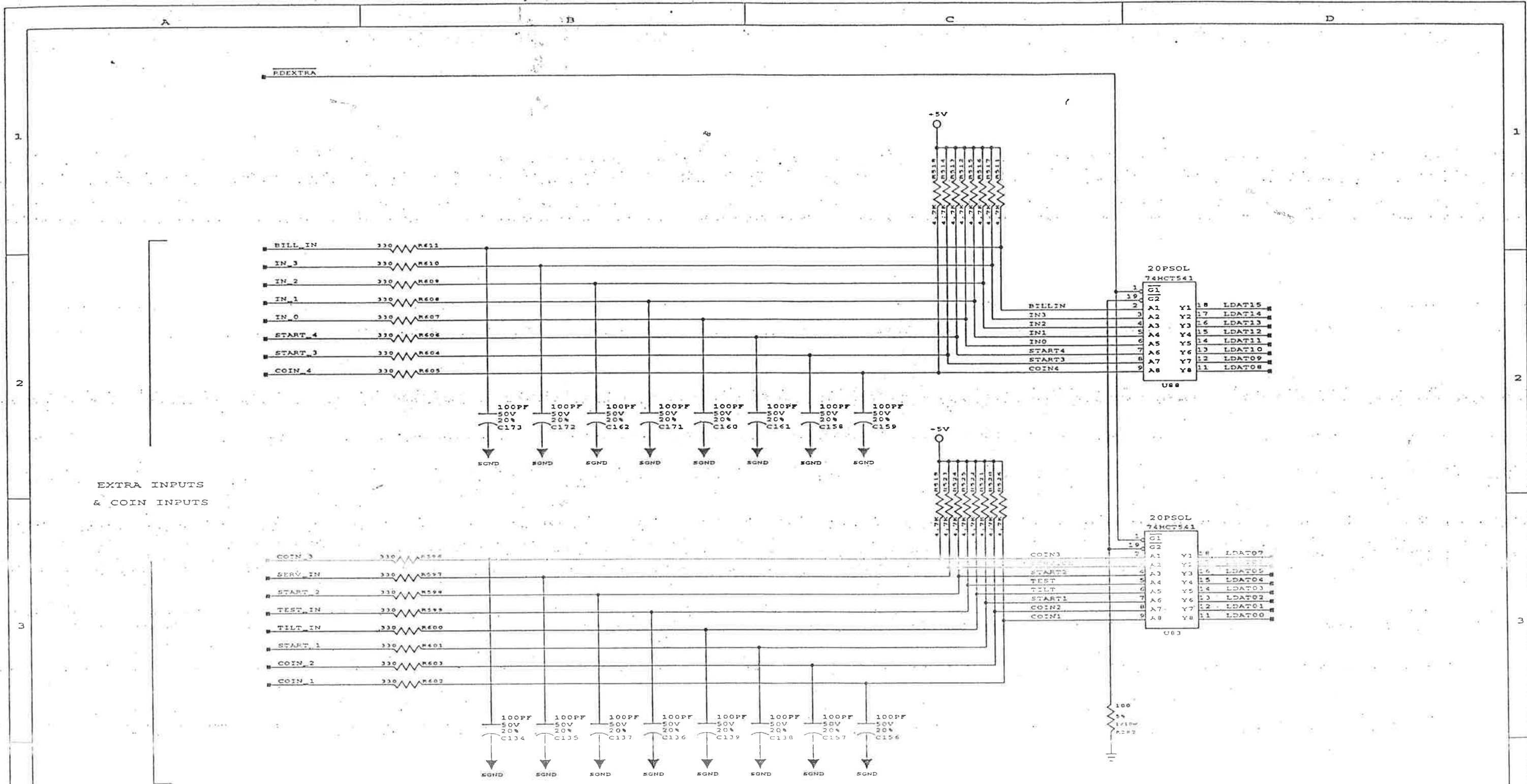
ECN	CHANGE	DATE
INFORMATION CONTAINED HEREIN IS CONFIDENTIAL PROPERTY AND MAY NOT BE USED OR DISCLOSED WITHOUT EXPRESS WRITTEN CONSENT FROM THE COMPANY.		
RSC/ENG.	1ST PROJ. NO.	DATE
RSC/JML/JK	40030	
DWN. BY	DATE	1ST USAGE DATE
JML	4-7-1995_0:51	
CHECKED	DATE	CURRENT PROJ. DATE
APPROVED	DATE	SHEET OF
		16 26
PART NO.		REV.
		0

TITLE WWF-UNIT
 CHICAGO ILLINOIS USA



PLAYER 3 & 4
INPUTS

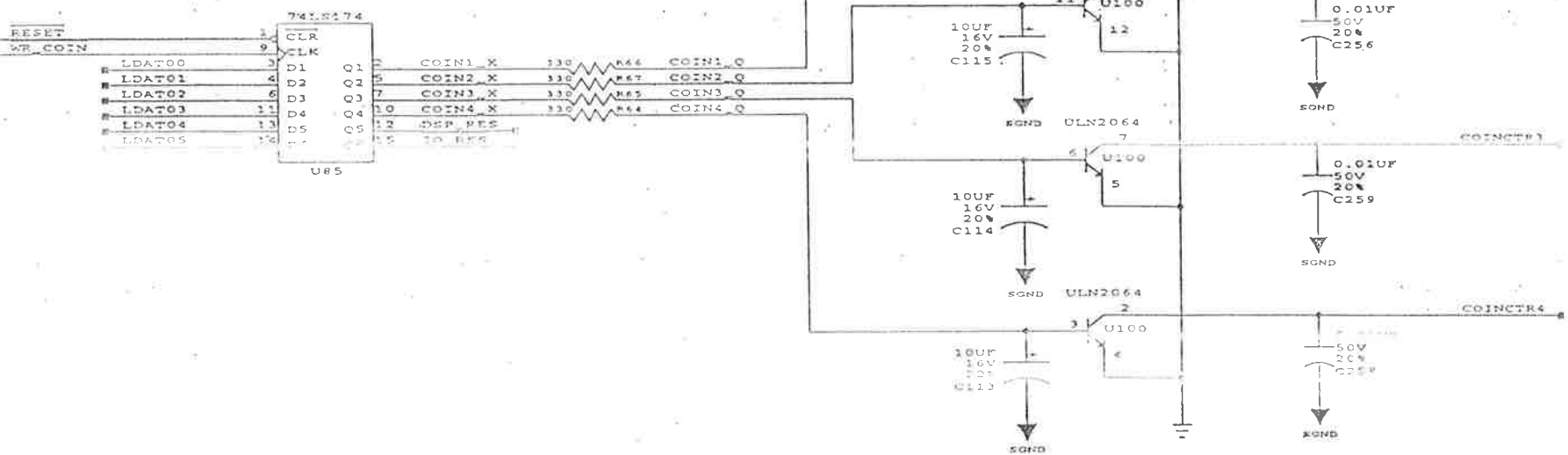
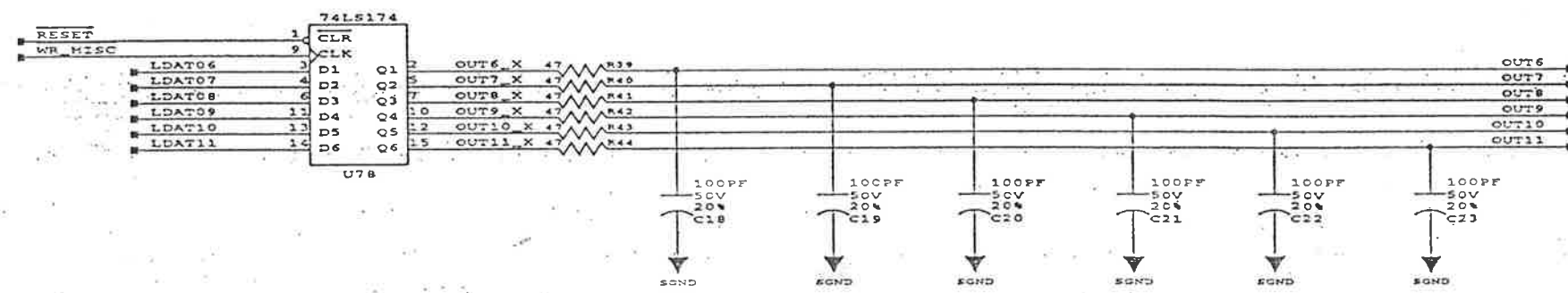
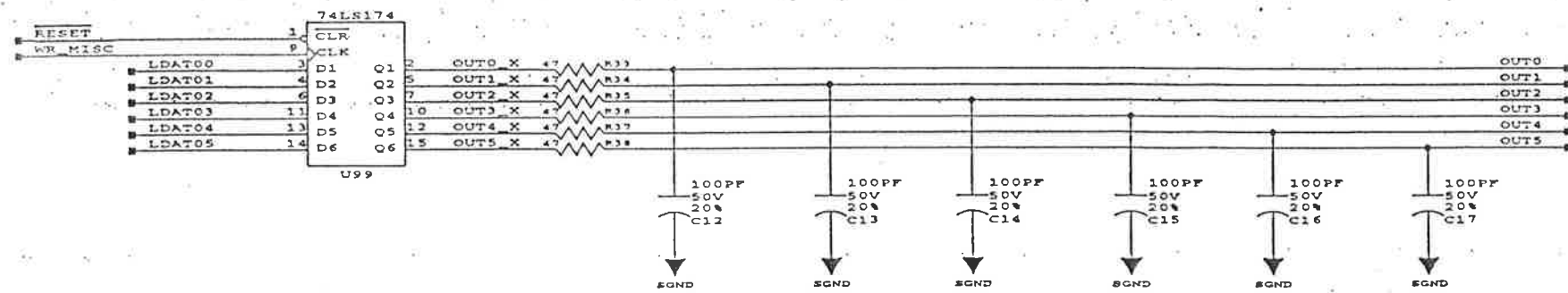
ECN		CHANGE		DATE
INFORMATION CONTAINED HEREIN IS CONFIDENTIAL PROPERTY AND MAY NOT BE USED OR DISCLOSED WITHOUT EXPRESS WRITTEN CONSENT FROM THE COMPANY.				
PROJECT ENG.	1ST PROJ. NO.	DATE	WILLIAMS ELECTRONICS GAMES	
RSC/JML/JK	40030		MIDWAY MANUFACTURING CO.	
OWN. BY	DATE	1ST USAGE	DATE	3401 N. CALIFORNIA AVENUE
JML	4-7-1995_0:52			CHICAGO ILLINOIS USA
CHECKED	DATE	CURRENT PROJ.	DATE	TITLE
				WWE-UNIT
APPROVED	DATE	SHEET	OF	PART NO.
		17	26	REV.
				0



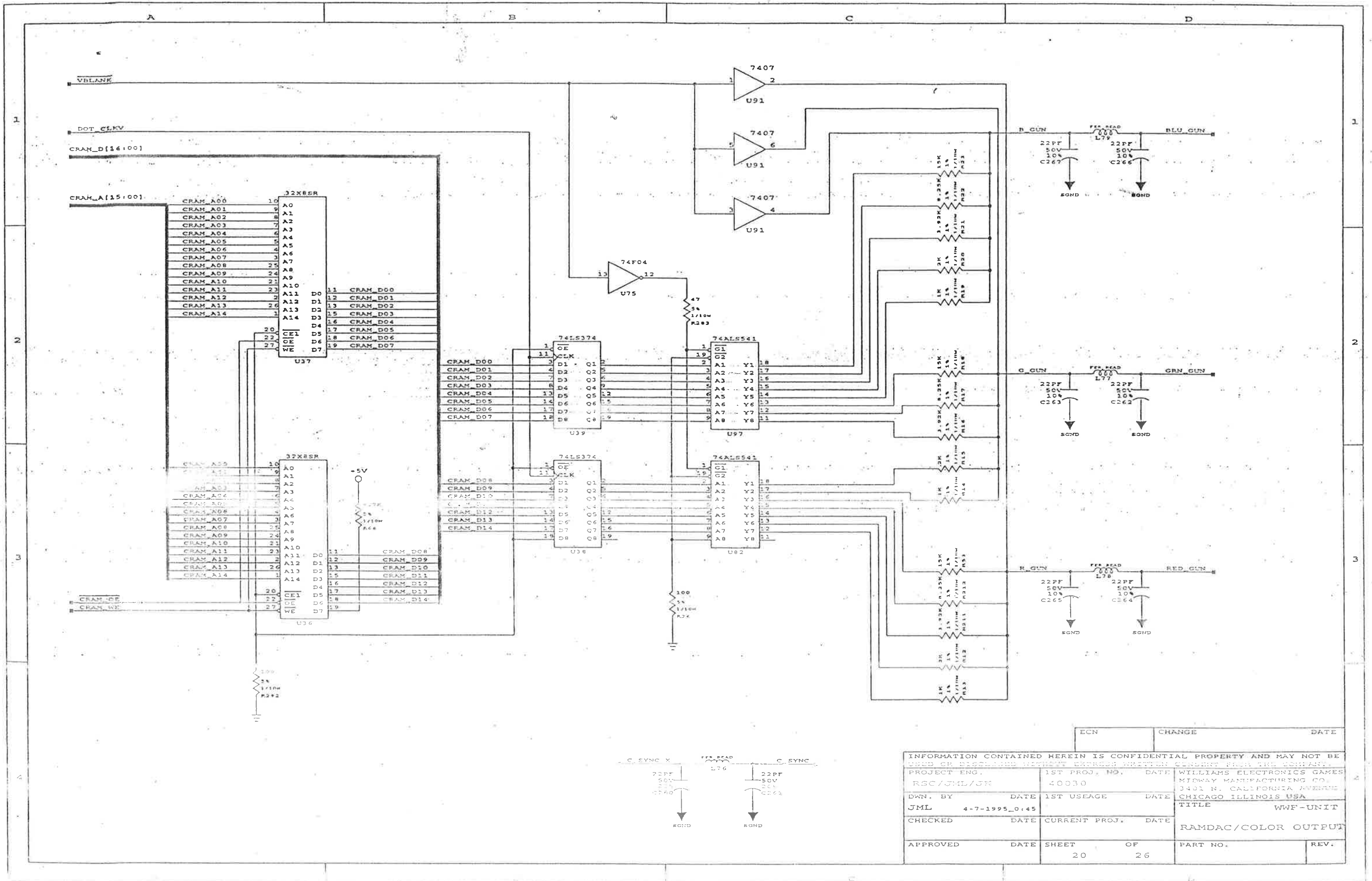
EXTRA INPUTS
& COIN INPUTS

ECN	CHANGE	DATE
-----	--------	------

INFORMATION CONTAINED HEREIN IS CONFIDENTIAL PROPERTY AND MAY NOT BE REPRODUCED WITHOUT EXPRESS WRITTEN CONSENT FROM THE COMPANY.			
PROJECT ENG. RSC/JML/JM	1ST PROJ. NO. 40030	DATE	WILLIAMS ELECTRONICS GAMES MIDWAY MANUFACTURING CO. 3431 N. CALIFORNIA AVENUE CHICAGO ILLINOIS USA
DWN. BY JML	DATE 4-7-1995_0.52	1ST USAGE DATE	TITLE WWF-UNIT
CHECKED	DATE	CURRENT PROJ. DATE	EXTRA INPUTS COIN/START
APPROVED	DATE	SHEET 26	OF 26
PART NO.		REV. 0	

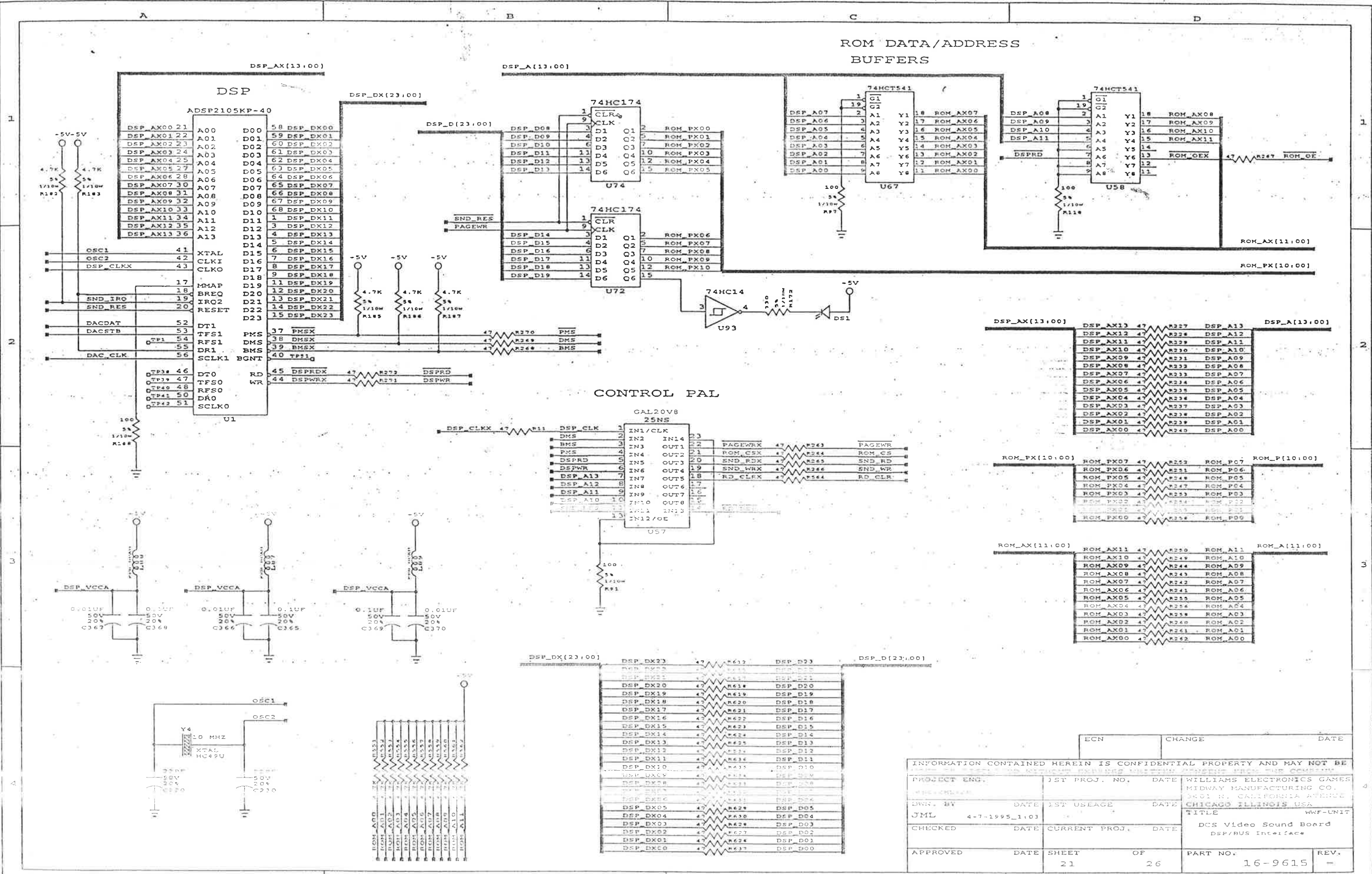


ECN	CHANGE	DATE
INFORMATION CONTAINED HEREIN IS CONFIDENTIAL PROPERTY AND MAY NOT BE USED OR DISCLOSED WITHOUT EXPRESS WRITTEN CONSENT FROM THE COMPANY.		
PROJECT ENG.	1ST PROJ. NO.	DATE
RSC/JML/JK	40030	
DWN. BY	DATE	1ST USAGE
JML	4-7-1995_0144	
CHECKED	DATE	CURRENT PROJ.
APPROVED	DATE	SHEET
		19
		OF
		26
PART NO.		REV.
OUTPUTS		0



ECN	CHANGE	DATE
-----	--------	------

INFORMATION CONTAINED HEREIN IS CONFIDENTIAL PROPERTY AND MAY NOT BE USED OR DISCLOSED WITHOUT EXPRESS WRITTEN CONSENT FROM THE COMPANY.			
PROJECT ENG.	1ST PROJ. NO.	DATE	WILLIAMS ELECTRONICS GAMES
RSC/JML/JK	40030		MIDWAY MANUFACTURING CO.
DWN. BY	DATE	1ST USAGE	DATE
JML	4-7-1995_0:45		
CHECKED	DATE	CURRENT PROJ.	DATE
APPROVED	DATE	SHEET	OF
		20	26
PART NO.		REV.	



ROM DATA/ADDRESS BUFFERS

CONTROL PAL

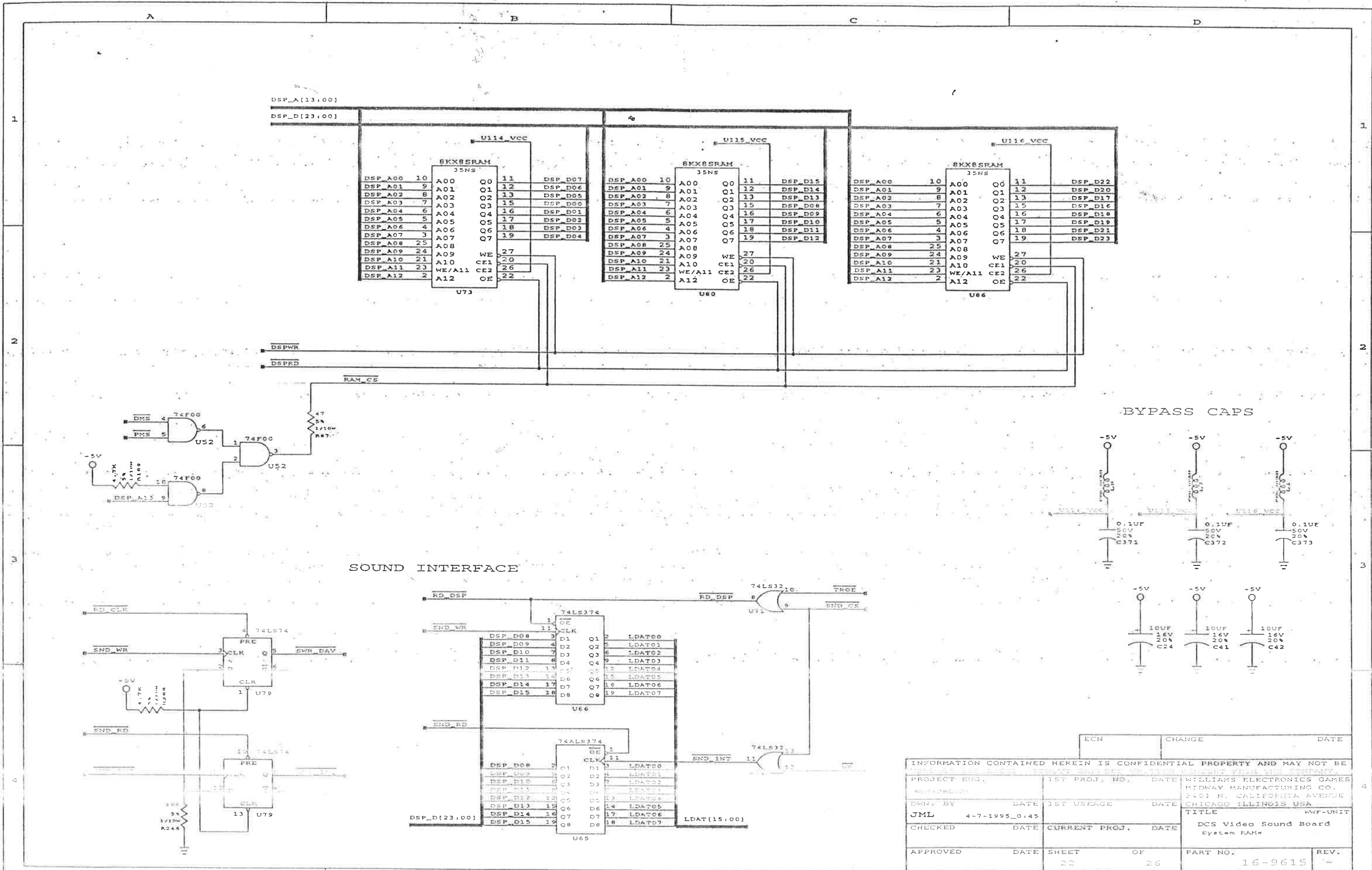
DSP_AX[13:00]	DSP_AX13 47	R227	DSP_A13	DSP_A[13:00]
	DSP_AX12 47	R228	DSP_A12	
	DSP_AX11 47	R229	DSP_A11	
	DSP_AX10 47	R230	DSP_A10	
	DSP_AX09 47	R231	DSP_A09	
	DSP_AX08 47	R232	DSP_A08	
	DSP_AX07 47	R233	DSP_A07	
	DSP_AX06 47	R234	DSP_A06	
	DSP_AX05 47	R235	DSP_A05	
	DSP_AX04 47	R236	DSP_A04	
	DSP_AX03 47	R237	DSP_A03	
	DSP_AX02 47	R238	DSP_A02	
	DSP_AX01 47	R239	DSP_A01	
	DSP_AX00 47	R240	DSP_A00	

ROM_PX[10:00]	ROM_PX07 47	R252	ROM_PC7	ROM_P[10:00]
	ROM_PX06 47	R251	ROM_PC6	
	ROM_PX05 47	R248	ROM_PC5	
	ROM_PX04 47	R247	ROM_PC4	
	ROM_PX03 47	R253	ROM_PC3	
	ROM_PX02 47	R254	ROM_PC2	
	ROM_PX01 47	R255	ROM_PC1	
	ROM_PX00 47	R256	ROM_PC0	

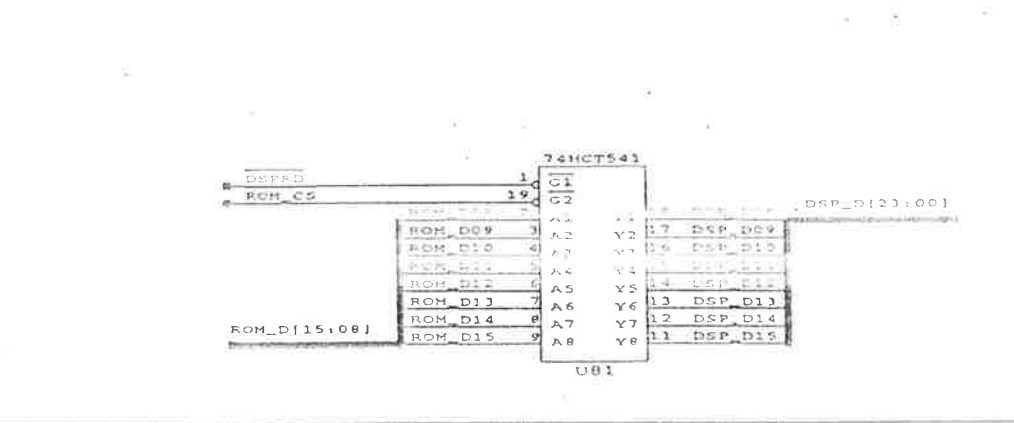
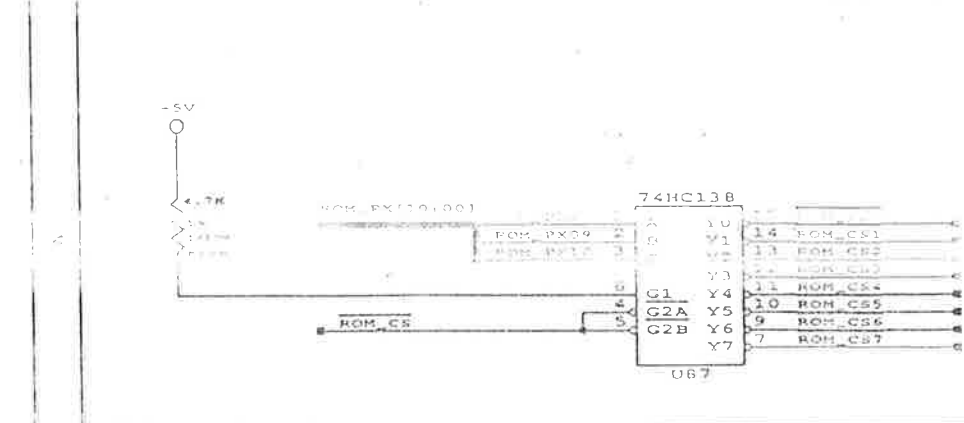
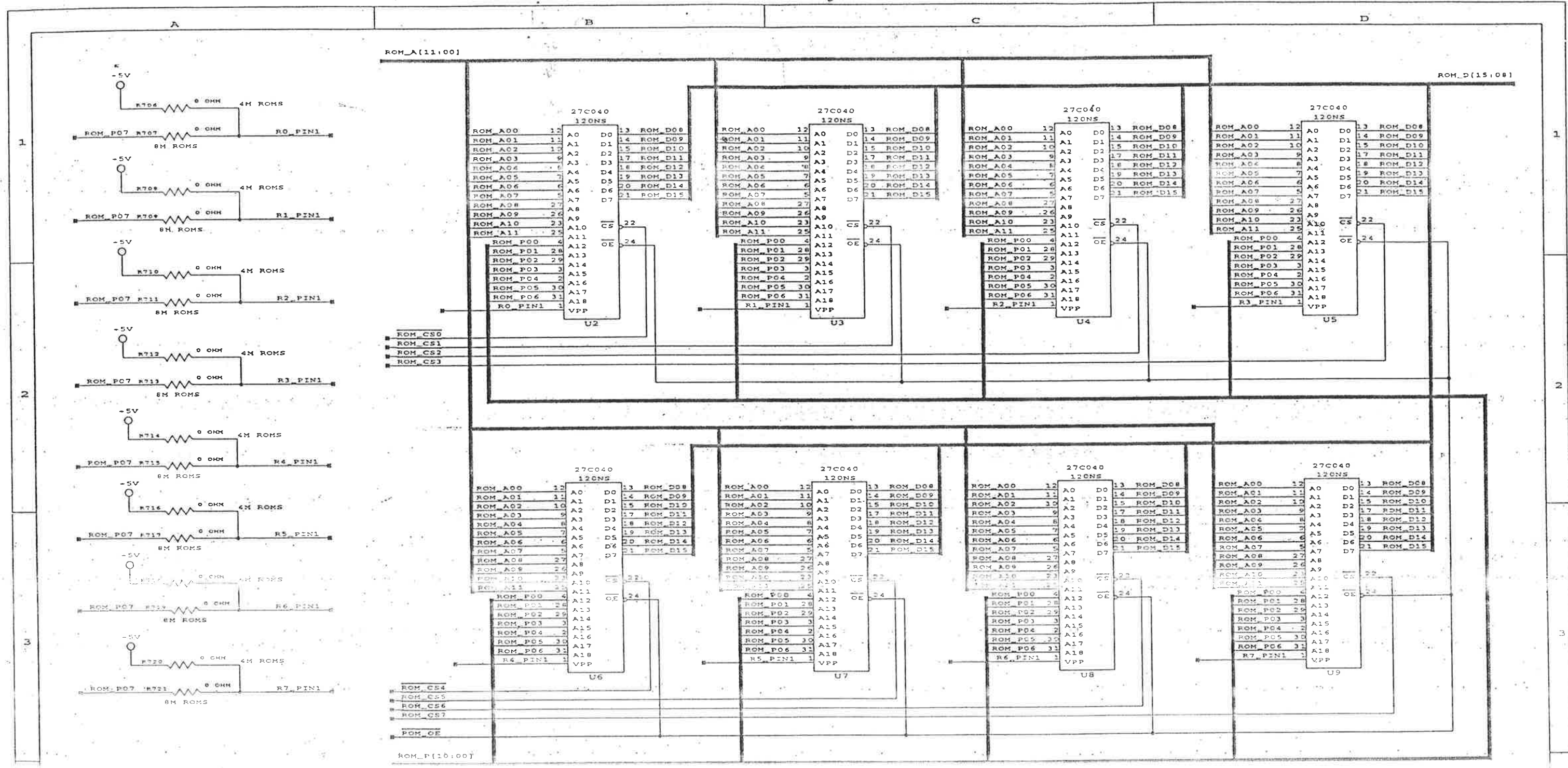
ROM_AX[11:00]	ROM_AX11 47	R250	ROM_A11	ROM_A[11:00]
	ROM_AX10 47	R249	ROM_A10	
	ROM_AX09 47	R244	ROM_A09	
	ROM_AX08 47	R243	ROM_A08	
	ROM_AX07 47	R242	ROM_A07	
	ROM_AX06 47	R241	ROM_A06	
	ROM_AX05 47	R255	ROM_A05	
	ROM_AX04 47	R256	ROM_A04	
	ROM_AX03 47	R258	ROM_A03	
	ROM_AX02 47	R260	ROM_A02	
	ROM_AX01 47	R261	ROM_A01	
	ROM_AX00 47	R262	ROM_A00	

DSP_DX[23:00]	DSP_DX23 47	R612	DSP_D23	DSP_D[23:00]
	DSP_DX22 47	R613	DSP_D22	
	DSP_DX21 47	R617	DSP_D21	
	DSP_DX20 47	R618	DSP_D20	
	DSP_DX19 47	R619	DSP_D19	
	DSP_DX18 47	R620	DSP_D18	
	DSP_DX17 47	R621	DSP_D17	
	DSP_DX16 47	R622	DSP_D16	
	DSP_DX15 47	R623	DSP_D15	
	DSP_DX14 47	R624	DSP_D14	
	DSP_DX13 47	R625	DSP_D13	
	DSP_DX12 47	R626	DSP_D12	
	DSP_DX11 47	R636	DSP_D11	
	DSP_DX10 47	R635	DSP_D10	
	DSP_DX09 47	R634	DSP_D09	
	DSP_DX08 47	R633	DSP_D08	
	DSP_DX07 47	R632	DSP_D07	
	DSP_DX06 47	R631	DSP_D06	
	DSP_DX05 47	R629	DSP_D05	
	DSP_DX04 47	R630	DSP_D04	
	DSP_DX03 47	R628	DSP_D03	
	DSP_DX02 47	R627	DSP_D02	
	DSP_DX01 47	R624	DSP_D01	
	DSP_DX00 47	R637	DSP_D00	

ECN	CHANGE	DATE	
INFORMATION CONTAINED HEREIN IS CONFIDENTIAL PROPERTY AND MAY NOT BE DISCLOSED TO ANY OTHER PERSON OR ENTITY WITHOUT THE WRITTEN APPROVAL OF THE COMPANY			
PROJECT ENG.	JST PROJ. NO.	DATE	WILLIAMS ELECTRONICS GAMES MIDWAY MANUFACTURING CO. 3601 N. CALIFORNIA AVENUE CHICAGO ILLINOIS USA
DWN. BY	DATE	1ST USAGE	TITLE
JML	4-7-1995_1103		DCS Video Sound Board DSP/BUS Interface
CHECKED	DATE	CURRENT PROJ.	DATE
APPROVED	DATE	SHEET	OF
		21	26
	PART NO.	REV.	
	16-9615		



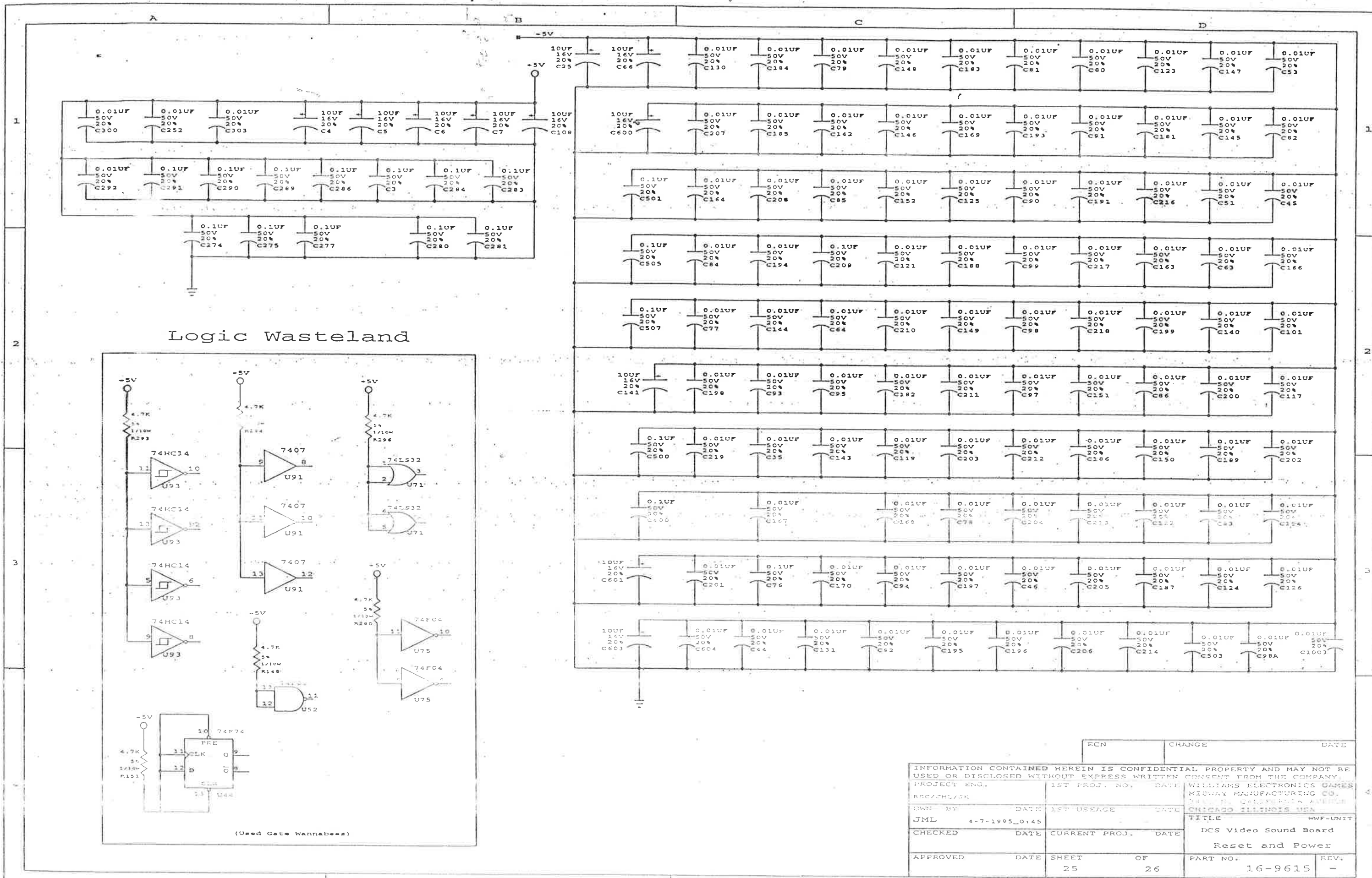
ECN	CHANGE	DATE	
INFORMATION CONTAINED HEREIN IS CONFIDENTIAL PROPERTY AND MAY NOT BE			
PROJECT ENG.	1ST PROJ. NO.	DATE	WILLIAMS ELECTRONICS GAMES
			MIDWAY MANUFACTURING CO.
			2401 N. CALIFORNIA AVENUE
			CHICAGO ILLINOIS USA
DWN. BY	DATE	1ST USAGE	DATE
JML	4-7-1995_0.45		
CHECKED	DATE	CURRENT PROJ.	DATE
APPROVED	DATE	SHEET	OF
		22	26
PART NO.		REV.	
16-9615		-	



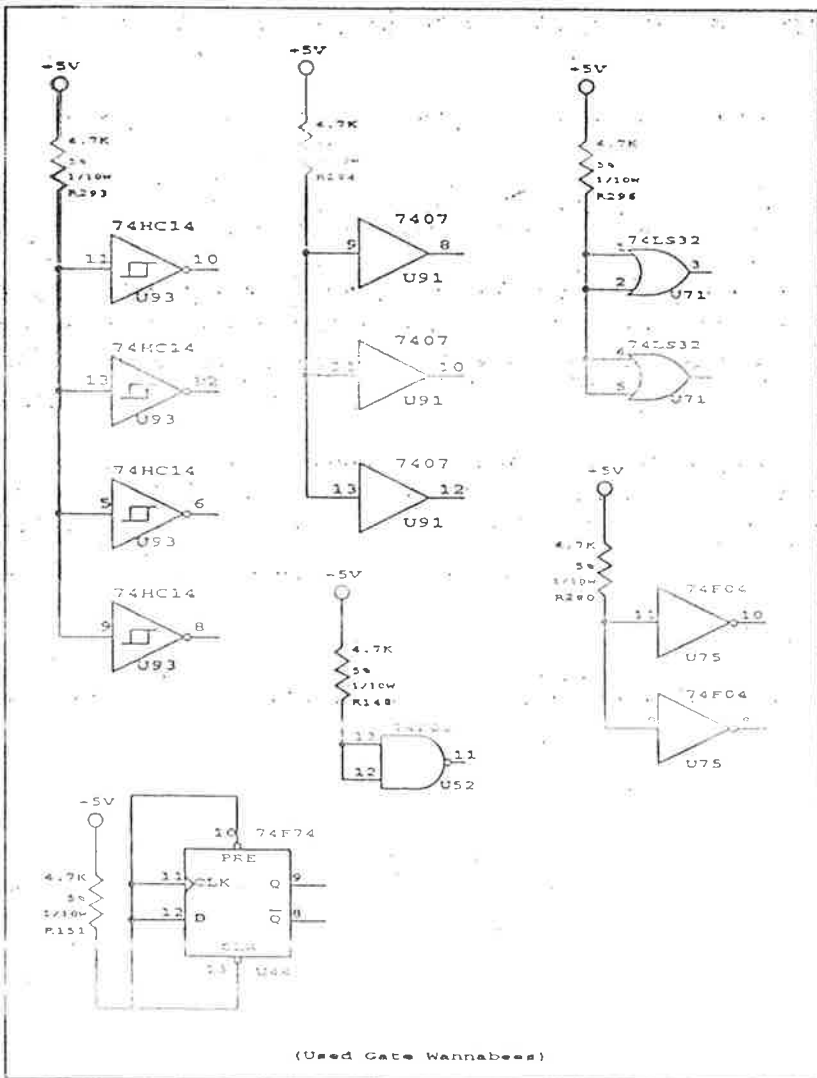
ECN	CHANGE	DATE
INFORMATION CONTAINED HEREIN IS CONFIDENTIAL PROPERTY AND MAY NOT BE USED OR DISCLOSED WITHOUT EXPRESS WRITTEN CONSENT FROM THE COMPANY.		
REQ'D BY	DATE	DATE
JML	4-7-1995_1.04	
CHECKED	DATE	CURRENT PROJ. DATE
APPROVED	DATE	SHEET OF
		23 26
PART NO.		REV.
16-9615		-

MIDWAY MANUFACTURING CO.
3401 N. CALIFORNIA AVENUE
CHICAGO, ILLINOIS 60642

TITLE
DCS Video Sound Board
Program/Data Rom



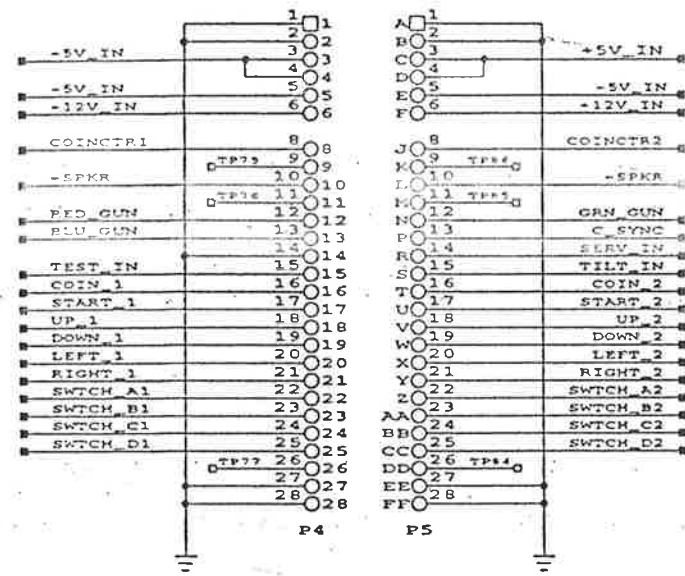
Logic Wasteland



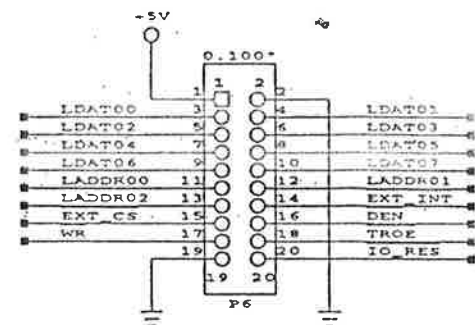
(Used Gate Wannabees)

ECN		CHANGE		DATE	
INFORMATION CONTAINED HEREIN IS CONFIDENTIAL PROPERTY AND MAY NOT BE USED OR DISCLOSED WITHOUT EXPRESS WRITTEN CONSENT FROM THE COMPANY.					
PROJECT ENG.		1ST PROJ. NO.		DATE	
RRC/JML/SK		1ST USAGE		DATE	
DWN. BY		CURRENT PROJ.		DATE	
JML		4-7-1995_0145		TITLE	
CHECKED		DATE		DCS Video Sound Board	
APPROVED		DATE		Reset and Power	
SHEET		OF		PART NO.	
25		26		16-9615	
REV.		-		-	

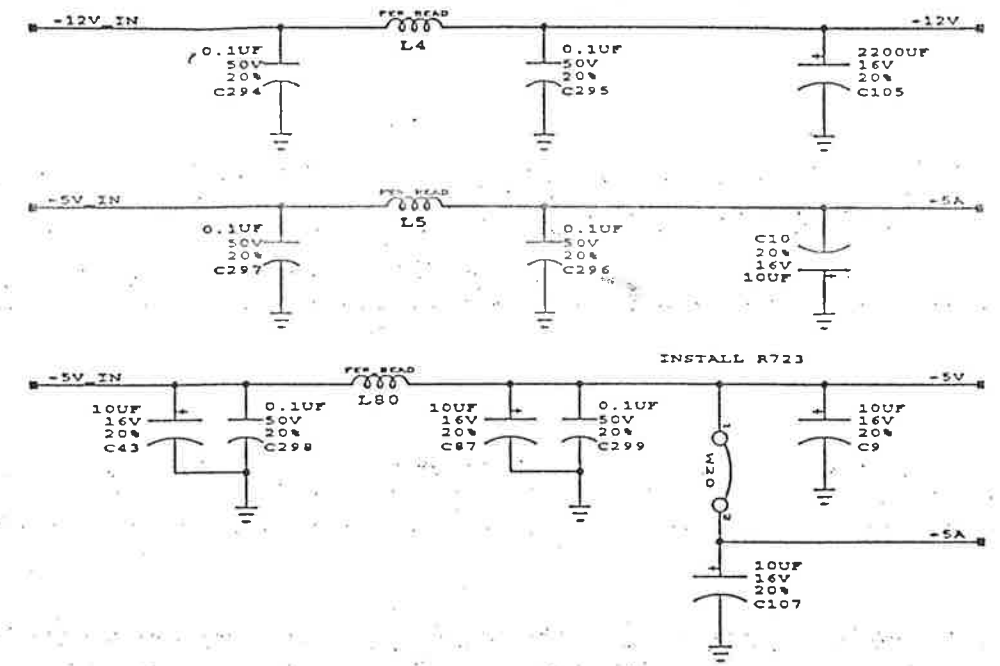
**JAMMA INTERFACE
EDGE CONNECTOR**



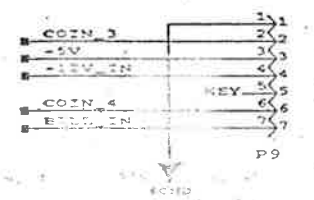
**EXTERNAL INTERFACE
CONNECTOR**



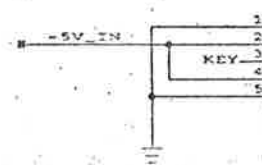
**Analog/Digital
Power**



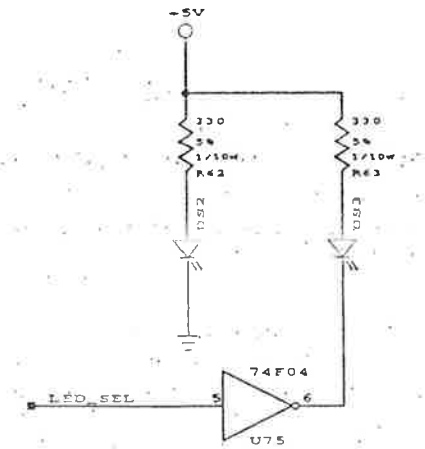
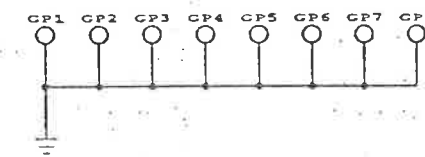
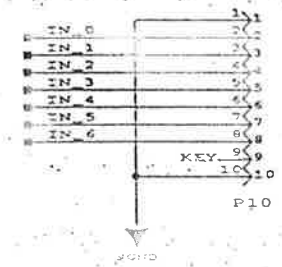
COIN 3 & 4 INPUTS



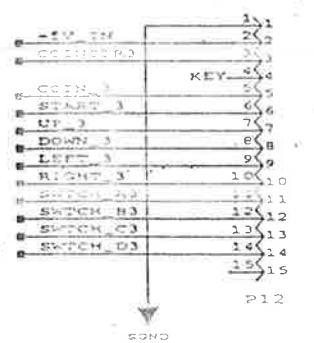
AUX. POWER OUT



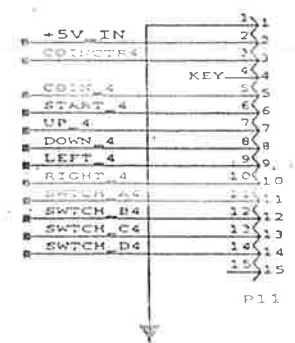
EXTRA INPUTS



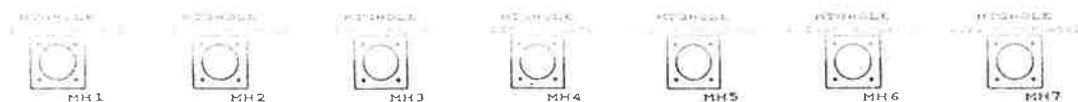
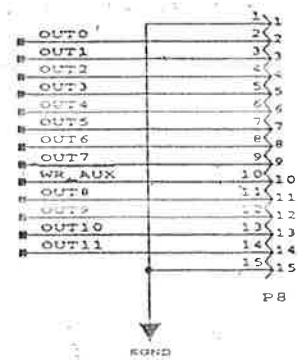
**PLAYER 3
I/O CONNECTOR**



**PLAYER 4
I/O CONNECTOR**



**MISC LATCHED
OUTPUTS**



ECN	CHANGE	DATE
INFORMATION CONTAINED HEREIN IS CONFIDENTIAL PROPERTY AND MAY NOT BE USED OR DISCLOSED WITHOUT EXPRESS WRITTEN CONSENT FROM THE COMPANY.		
PROJECT ENG.	1ST PROJ. NO.	DATE
RSC/JHL/JK	4C030	
DESIGNED BY	DATE	DATE
JME	4/17/95	
CHECKED	DATE	CURRENT PROJ. DATE
APPROVED	DATE	SHEET OF
		26 26
PART NO.		REV.

WILLIAMS ELECTRONICS GAMES
1401 N. CALIFORNIA AVENUE
CHICAGO, ILLINOIS USA

CONNECTORS AND POWER