

ARRANGED

DESIGNER: K. Nishizawa

CHECKER: E. Maeda

APPROVED: [Signature]

TAITO CORPORATION

MAIN PCB SCHEMATIC DIAGRAM

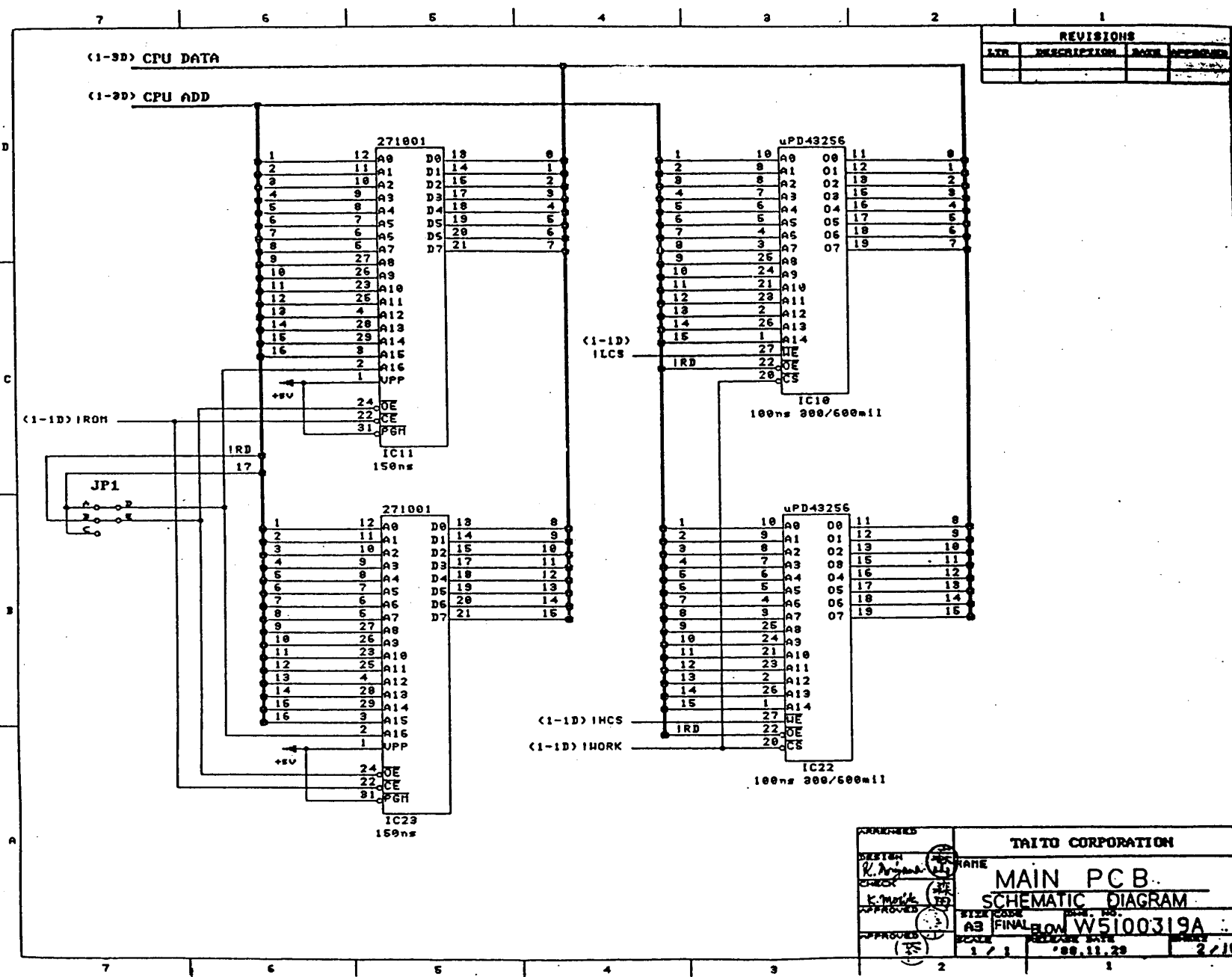
SIZE CODE: A3 FINAL

SCALE: 1/1

RELEASE DATE: '88.11.29

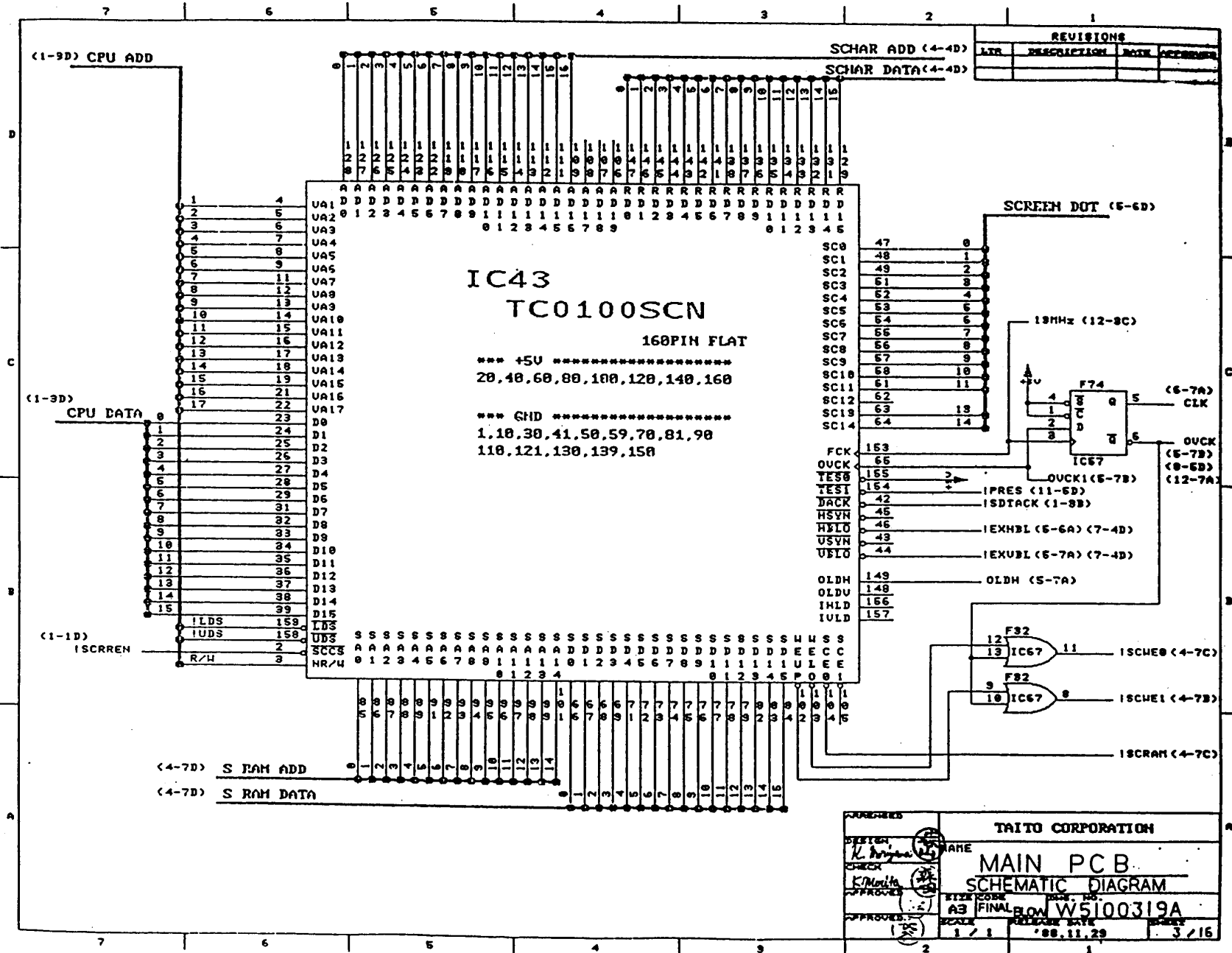
NO. W5100319A

1/16

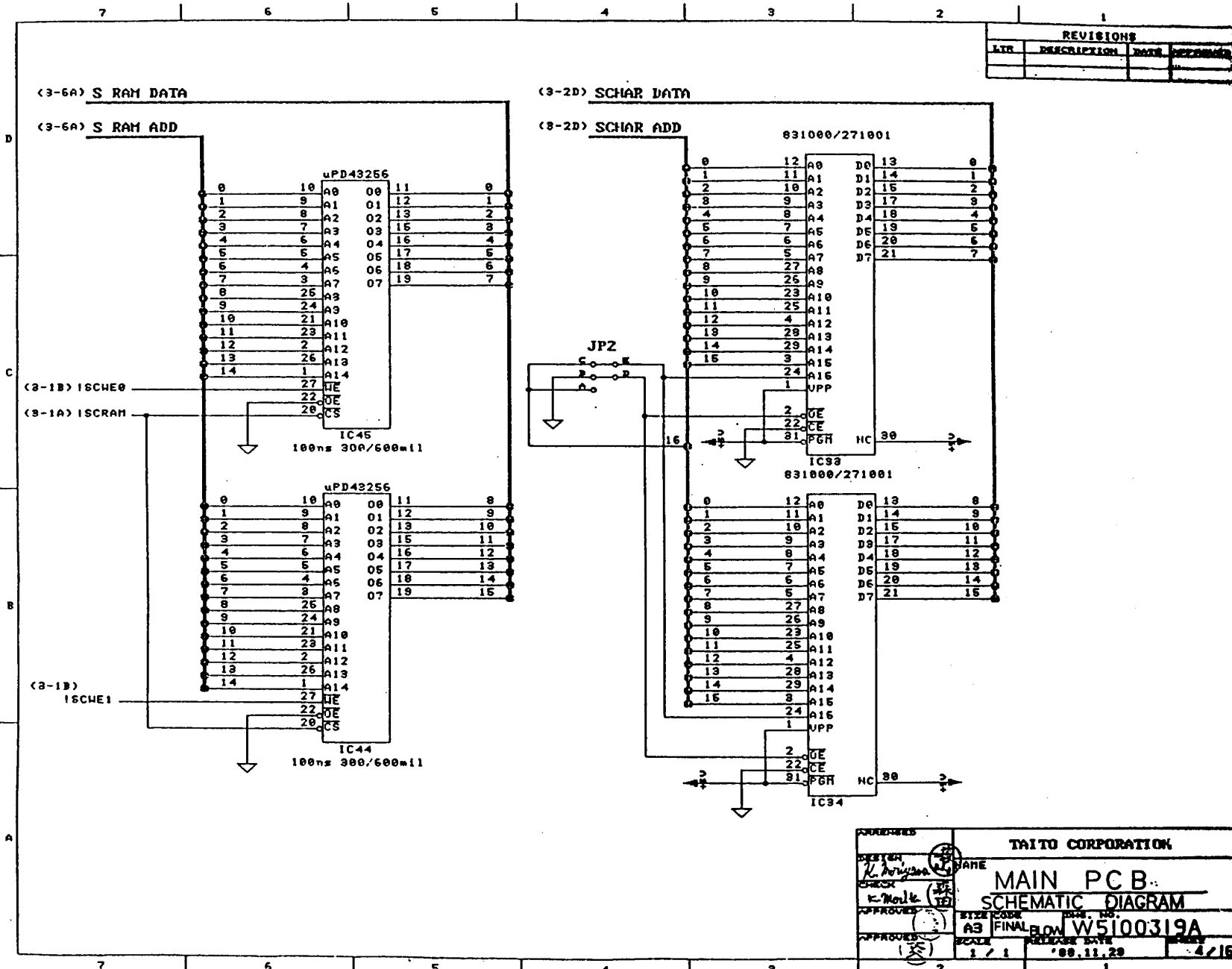


REVISIONS			
LTN	DESCRIPTION	DATE	APPROVED

DESIGNED		TRAITO CORPORATION	
DESIGN NAME		MAIN PCB	
CHECK		SCHEMATIC DIAGRAM	
APPROVED		SIZE CODE	
		A3	FINAL
		FLOW W5100319A	
		SCALE	
		1 / 1	
		DATE	08.11.29
			2 / 15

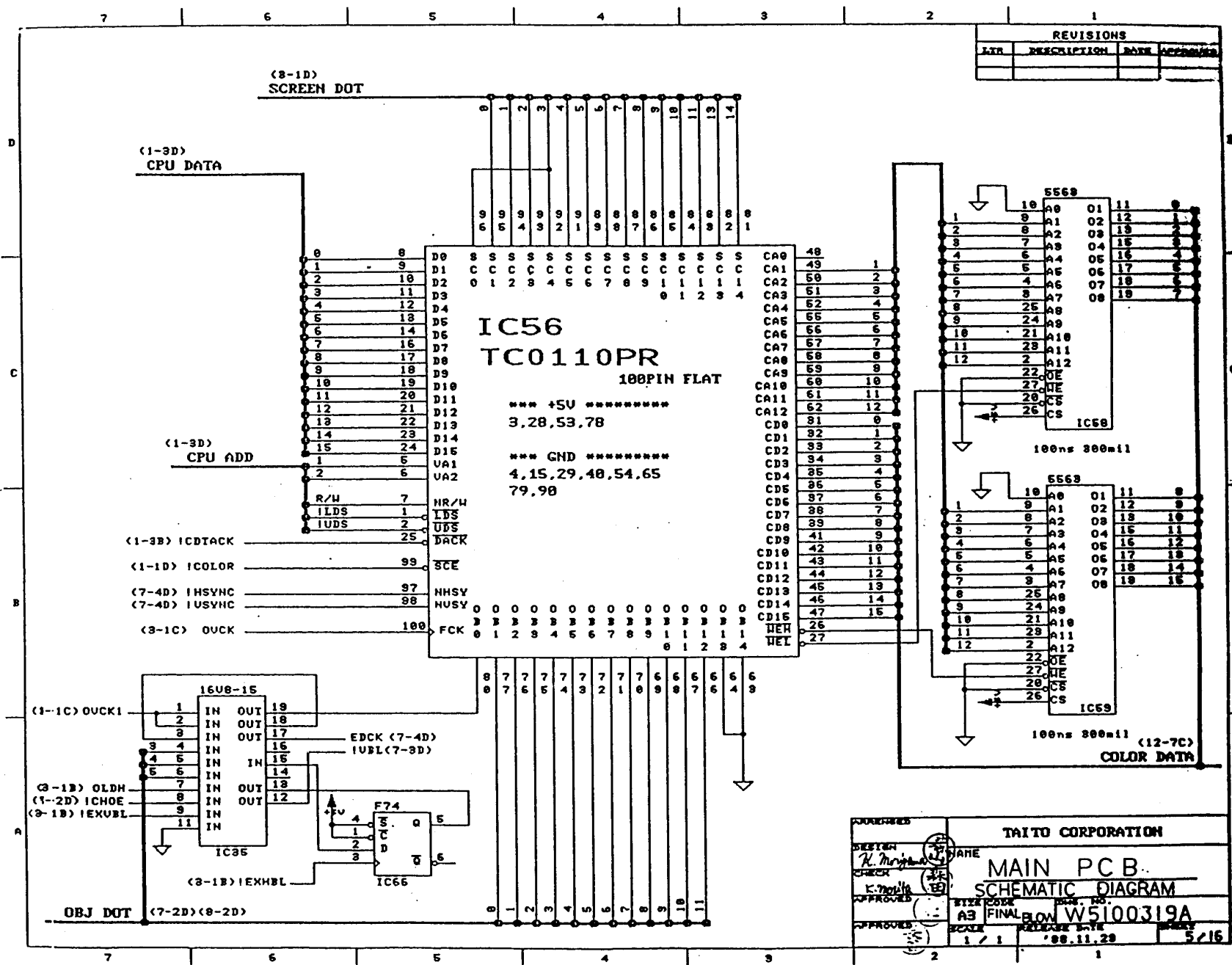


TAITO CORPORATION			
DESIGN <i>K. Nishida</i>	NAME MAIN PCB	DATE 	
CHECK <i>K. Maeda</i>	SCHEMATIC DIAGRAM		
APPROVED <i>(Signature)</i>	SIZE CODE A3	PLN. NO. FINAL FLOW W5100319A	SCALE 1/1
APPROVED <i>(Signature)</i>	SCALE 1/1	RELEASE DATE '88.11.29	SHRINK 3/16



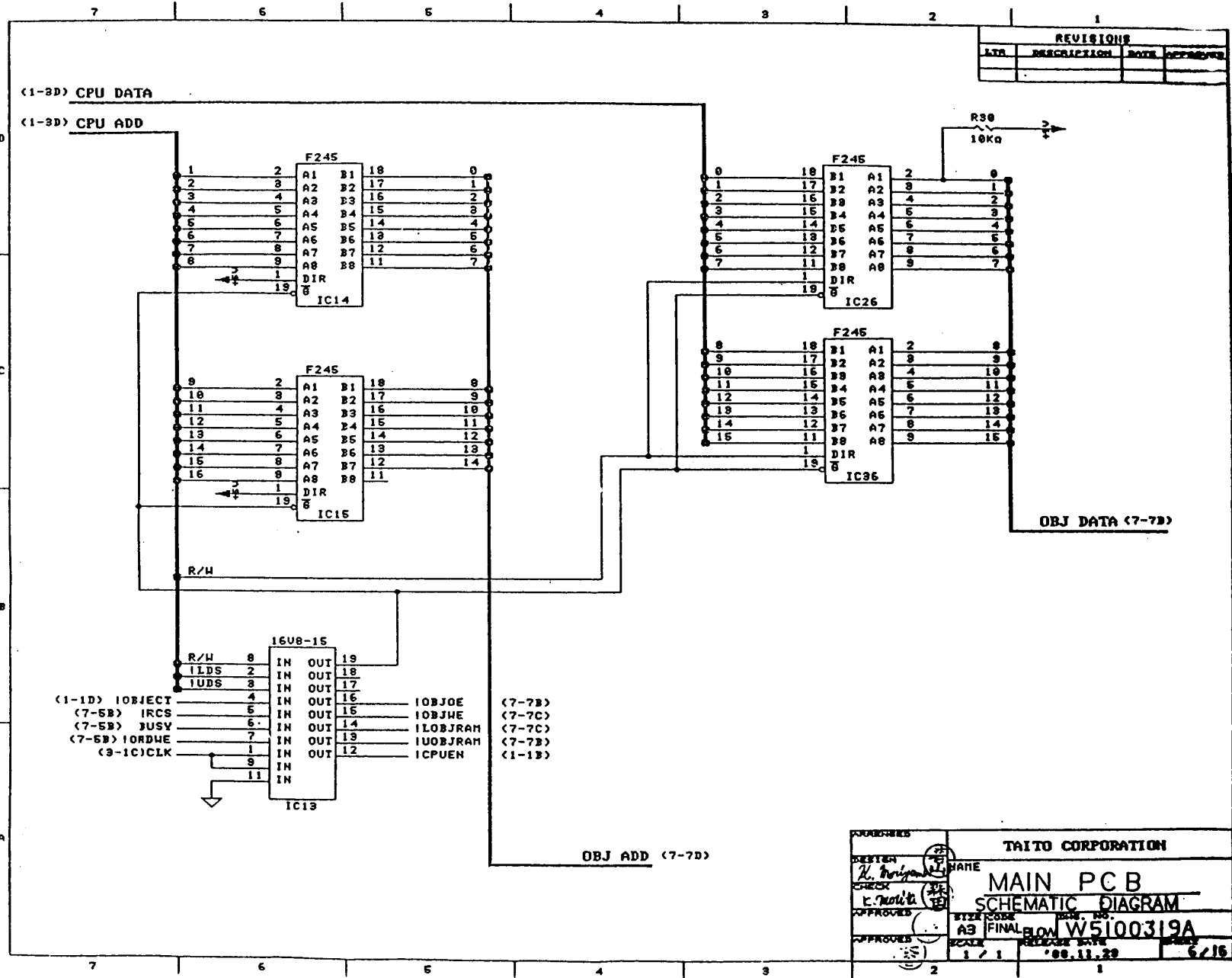
REVISIONS			
LTR	DESCRIPTION	DATE	APPROVED

TAKESHI		TAITO CORPORATION	
DESIGNER <i>K. Horikawa</i>	NAME	MAIN PCB	
CHECKER <i>K. Morik</i>	DATE	SCHEMATIC DIAGRAM	
APPROVED	SCALE	SIZE CODE A3	FILE NO. W5100319A
APPROVED	SCALE	1 / 1	RELEASE DATE '00.11.20
			4/15



REVISIONS			
LTR	DESCRIPTION	DATE	APPROVED

APPROVED		TAITO CORPORATION	
DESIGN	NAME	MAIN PCB	
CHECK	DATE	SCHEMATIC DIAGRAM	
APPROVED	SCALE	W5100319A	
APPROVED	RELEASE DATE	1/1 '98.11.29	
		5216	



REVISIONS			
LT#	DESCRIPTION	DATE	APPROVED

<1-3D> CPU DATA

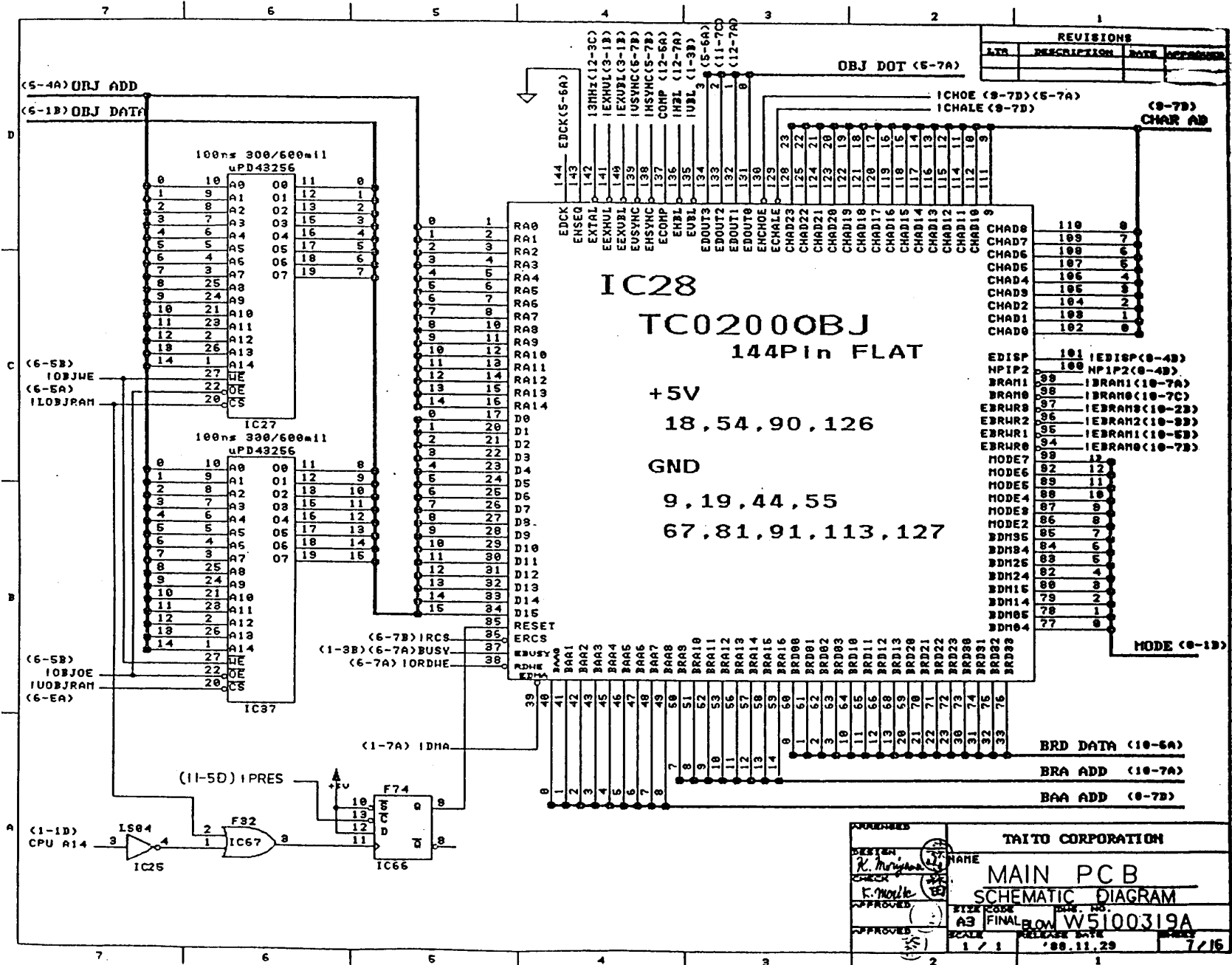
<1-3D> CPU ADD

OBJ DATA <7-7B>

OBJ ADD <7-7D>

- (1-1D) IOBJCT
- (7-5B) IRCS
- (7-5B) IUSV
- (7-5B) IORDHE
- (9-1C) CLK
- IOBJOE <7-7B>
- IOBJHE <7-7C>
- ILOBJRAM <7-7C>
- IUOBJRAM <7-7B>
- ICPUEN <1-1B>

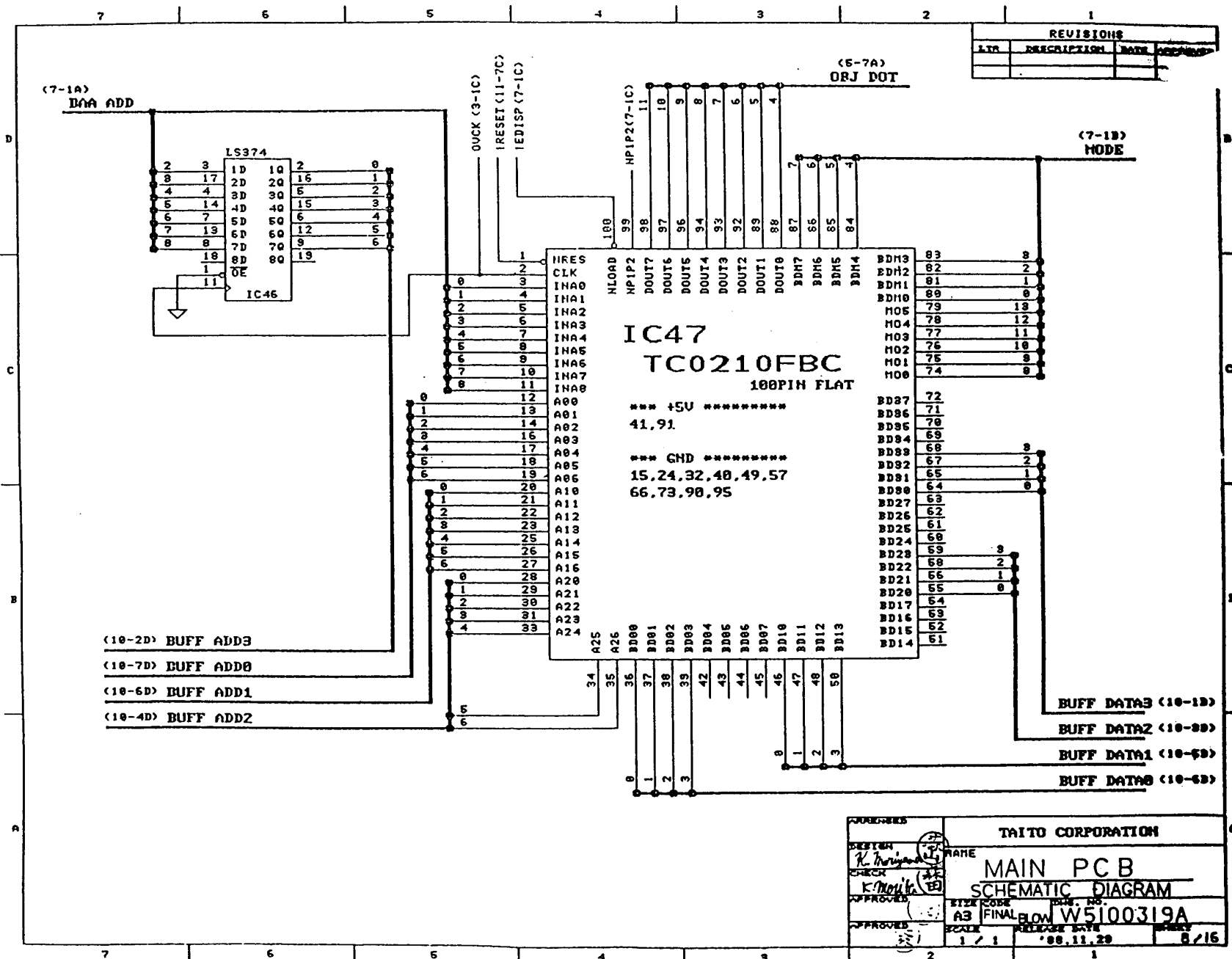
DESIGNED		TAITO CORPORATION	
CHECKED	DATE	MAIN PCB	
APPROVED	SCALE	SCHEMATIC DIAGRAM	
APPROVED	SCALE	SIZE CODE	REV. NO.
APPROVED	SCALE	A3 FINAL	W5100319A
APPROVED	SCALE	1 / 1	08.11.29
APPROVED	SCALE	2	6/16

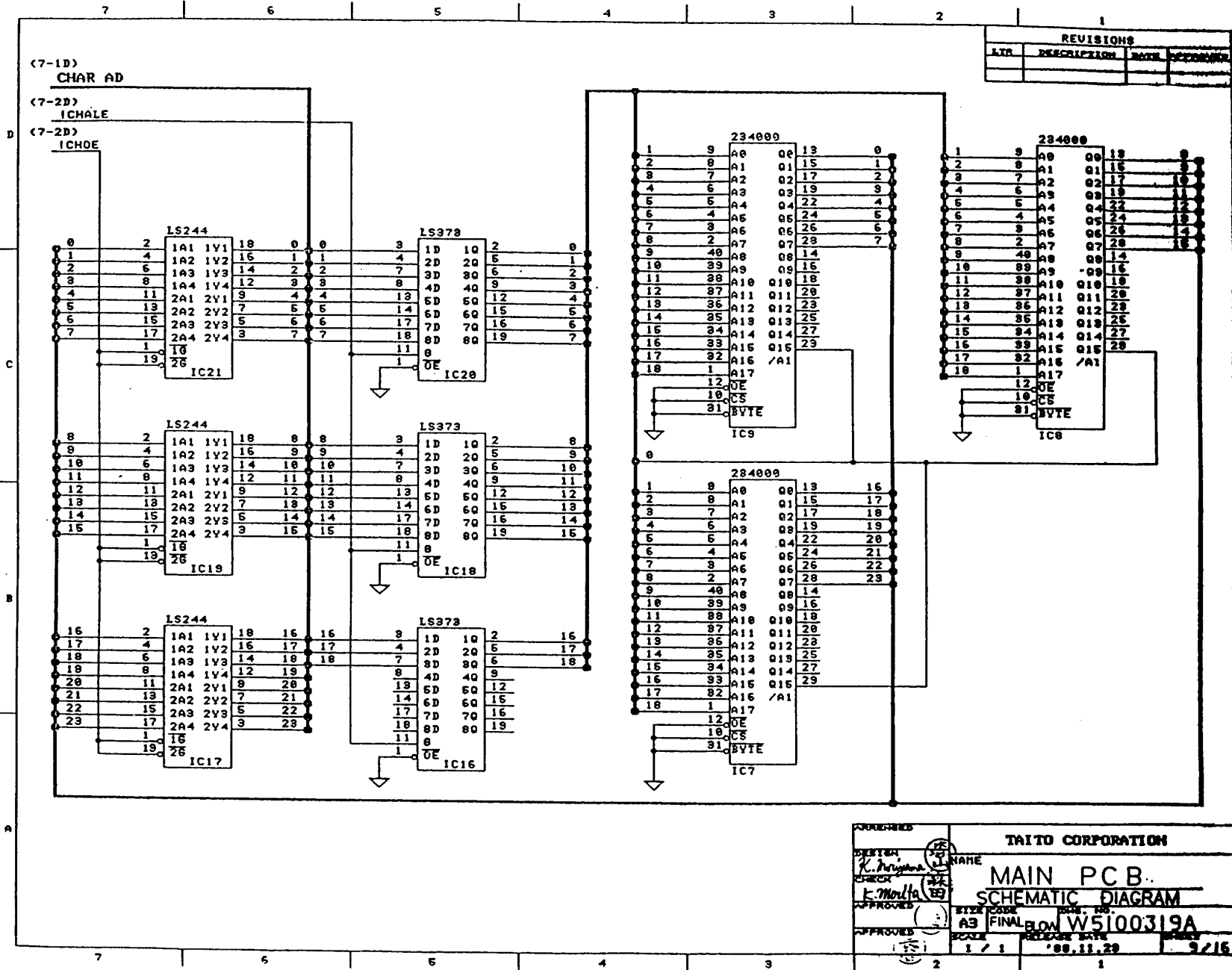


REVISIONS			
LT#	DESCRIPTION	DATE	APPROVED

CHAD8	110	0
CHAD7	109	7
CHAD6	108	6
CHAD5	107	5
CHAD4	106	4
CHAD3	105	3
CHAD2	104	2
CHAD1	103	1
CHAD0	102	0
EDISP	101	IEDISP(0-4B)
NP1P2	100	NP1P2(0-4B)
BRAM1	99	IBRAM1(10-7A)
BRAM0	98	IBRAM0(10-7C)
EBRUR0	97	IEBRAM0(10-2B)
EBRUR2	96	IEBRAM2(10-3B)
EBRUR1	95	IEBRAM1(10-5B)
EBRUR0	94	IEBRAM0(10-7B)
NODE7	93	
NODE6	92	12
NODE5	89	11
NODE4	88	10
NODE3	87	9
NODE2	86	8
BDM95	85	7
BDM84	84	6
BDM75	83	5
BDM64	82	4
BDM55	80	3
BDM46	79	2
BDM37	78	1
BDM28	77	0

ADDRESS		TAITO CORPORATION	
DESIGN <i>R. Moriguchi</i>	NAME MAIN PCB	SIZE CODE A3	SCALE 1/1
CHECK <i>E. Naito</i>	DATE 80.11.29	FLOW W5100319A	REV 7/16
APPROVED <i>(Signature)</i>	DATE	SCALE	REV





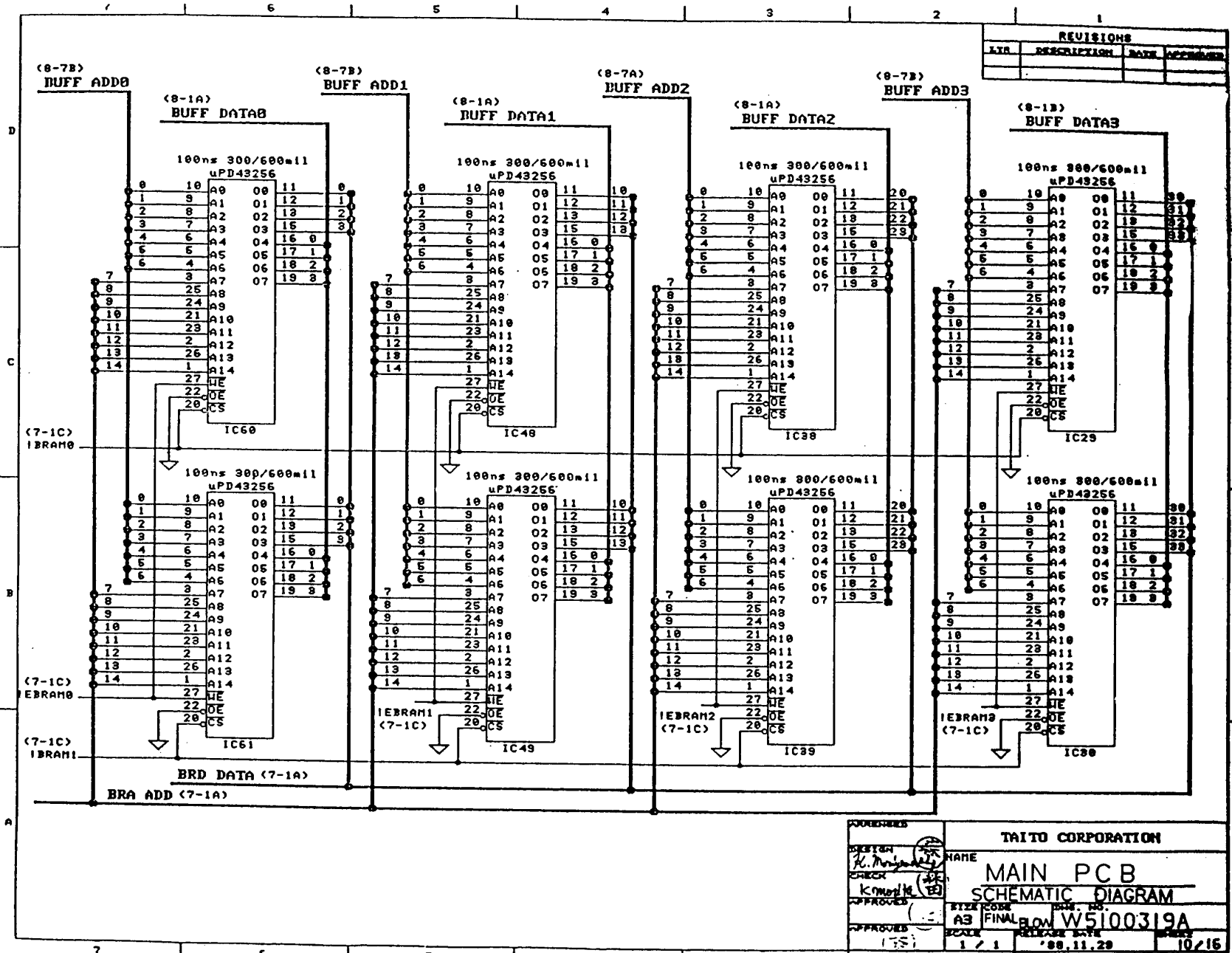
TAITO CORPORATION

DESIGNER: *R. Arizawa* NAME: **MAIN PCB**

CHECKER: *K. Mouta* DATE: **SCHEMATIC DIAGRAM**

APPROVED: *[Signature]* SIZE: **A3 FINAL** REV. NO. **W5100319A**

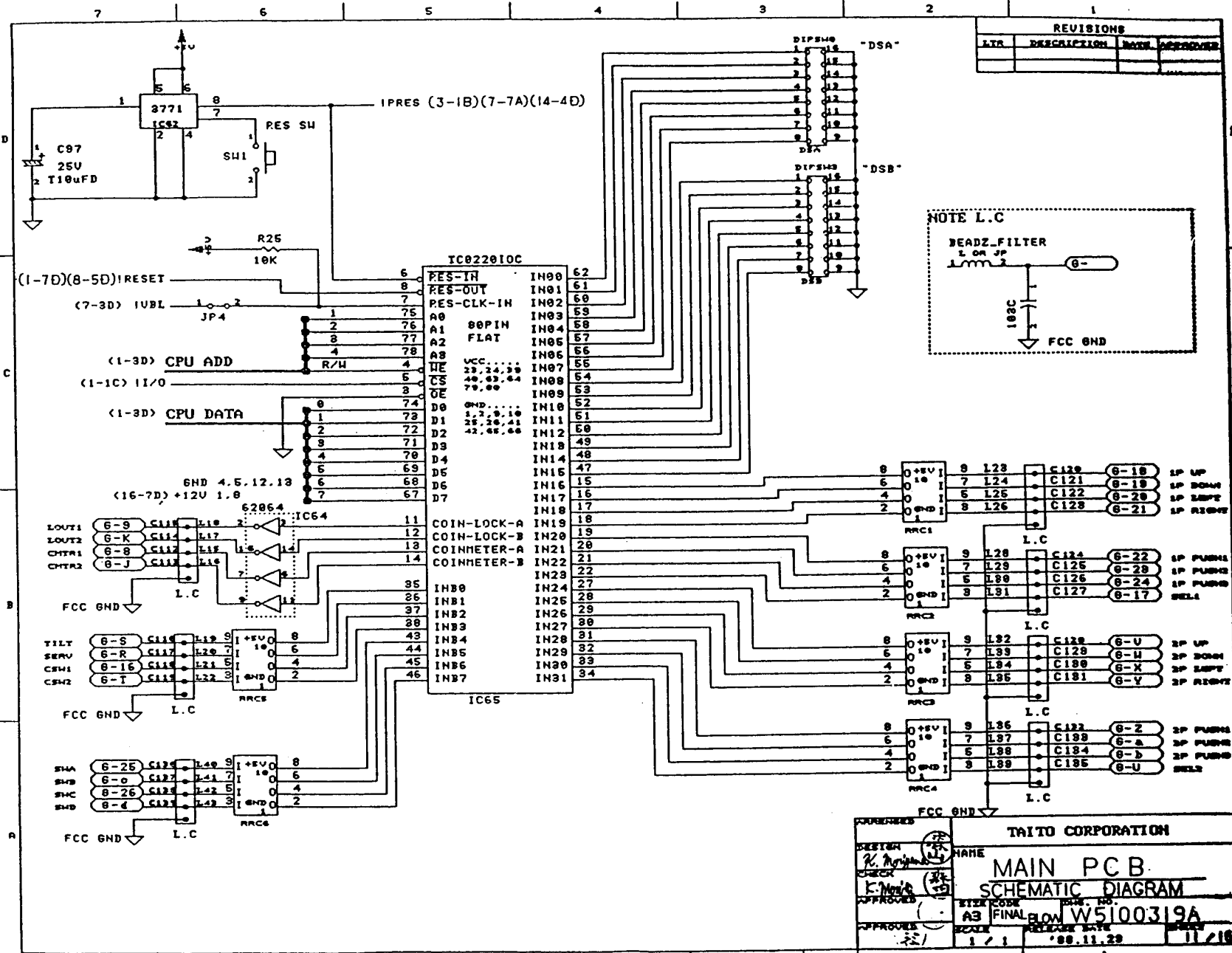
APPROVED: *[Signature]* SCALE: **1/1** RELEASE DATE: **'88.11.29** DRAWN: **9/15**



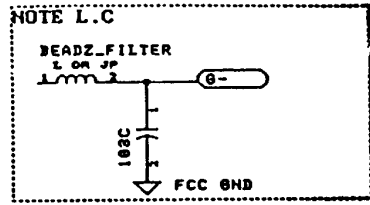
REVISIONS			
NO.	DESCRIPTION	DATE	APPROVED

DESIGNER: *R. M. ...*
 CHECKER: *K. M. ...*
 APPROVED: *(Signature)*
 APPROVES: *(Signature)*

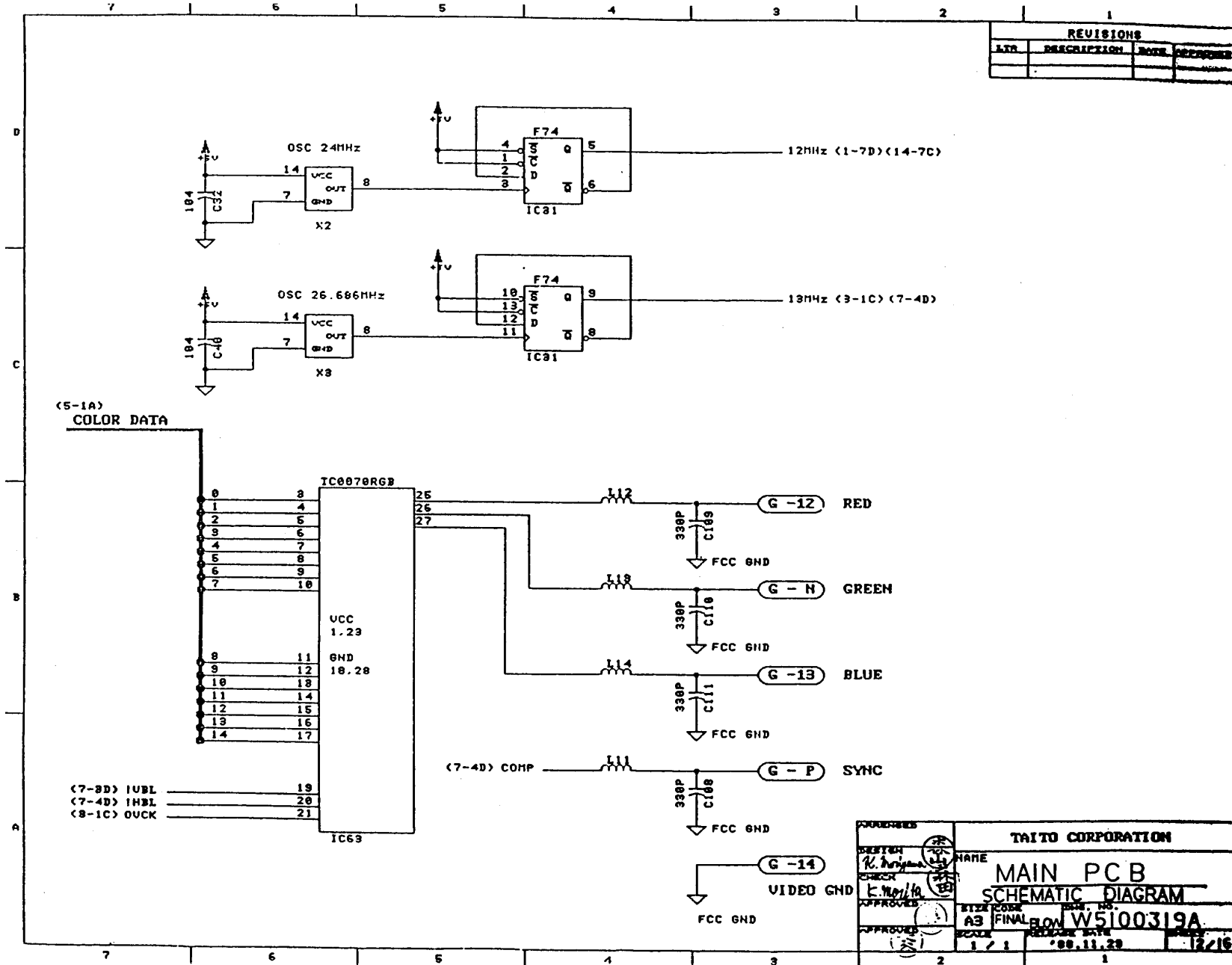
TAITO CORPORATION
 NAME: MAIN PCB
 SCHEMATIC DIAGRAM
 SIZE: A3 FINAL
 DRAW. NO.: W5100319A
 SCALE: 1/1
 RELEASE DATE: '88.11.29
 SHEETS: 10/16



REVISIONS			
LTR	DESCRIPTION	DATE	APPROVER

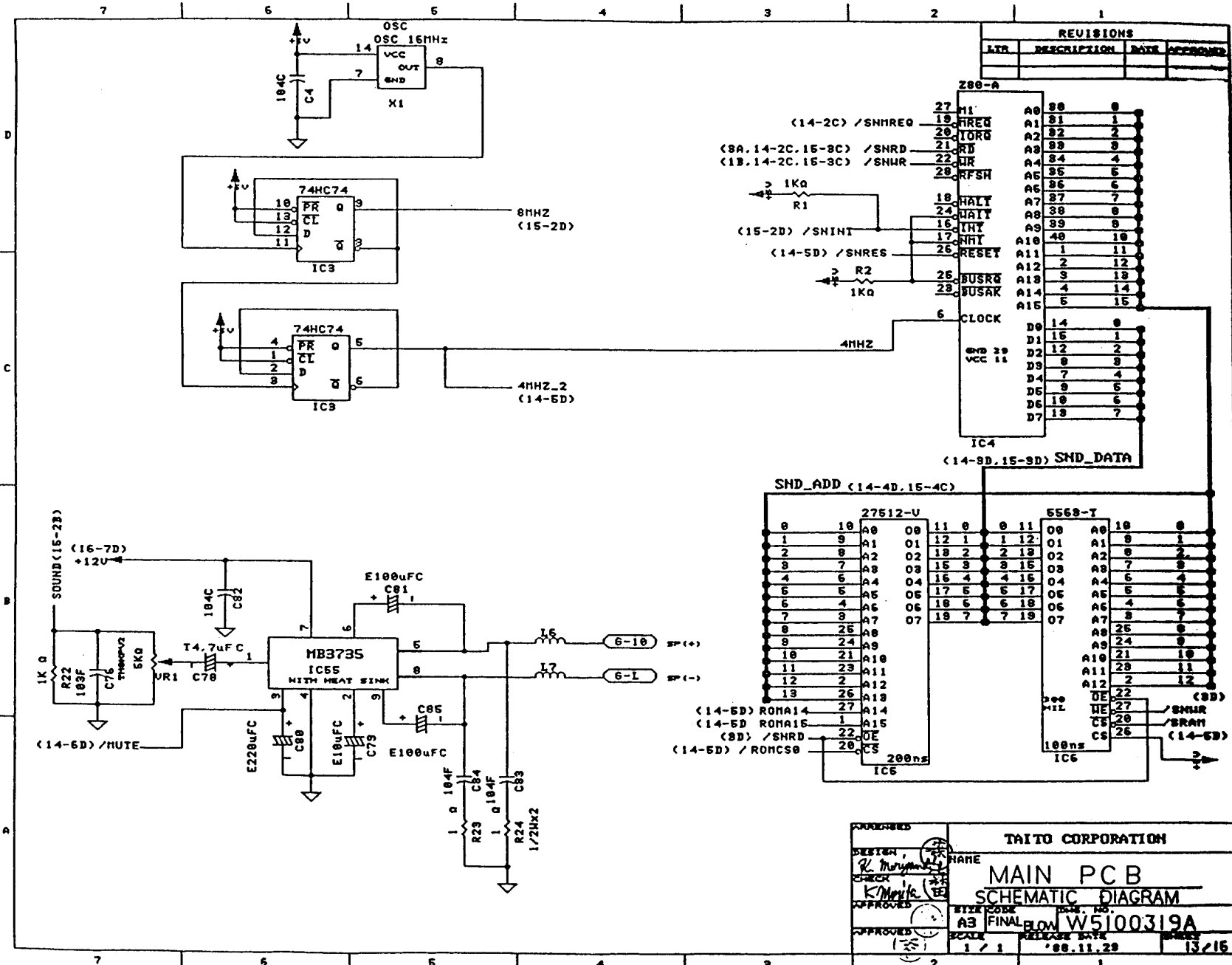


DESIGNED R. Nishida		NAME TAITO CORPORATION	
CHECKED K. Nishida		MAIN PCB	
APPROVED		SCHEMATIC DIAGRAM	
SIZE CODE A3	FINAL	DATE '88.11.29	NO. W5100319A
SCALE 1/1	DATE	DATE	DATE



REVISIONS			
LTR	DESCRIPTION	NOTE	APPROVED

TAKESHI		TAITO CORPORATION	
DESIGN R. Sugiura	CHECK E. Morita	NAME	MAIN PCB
APPROVED	SCALE	SIZE CODE A3	FINAL DRAWING NO. W5100319A
APPROVED	SCALE	RELEASE DATE *88.11.29	DATE 12/16

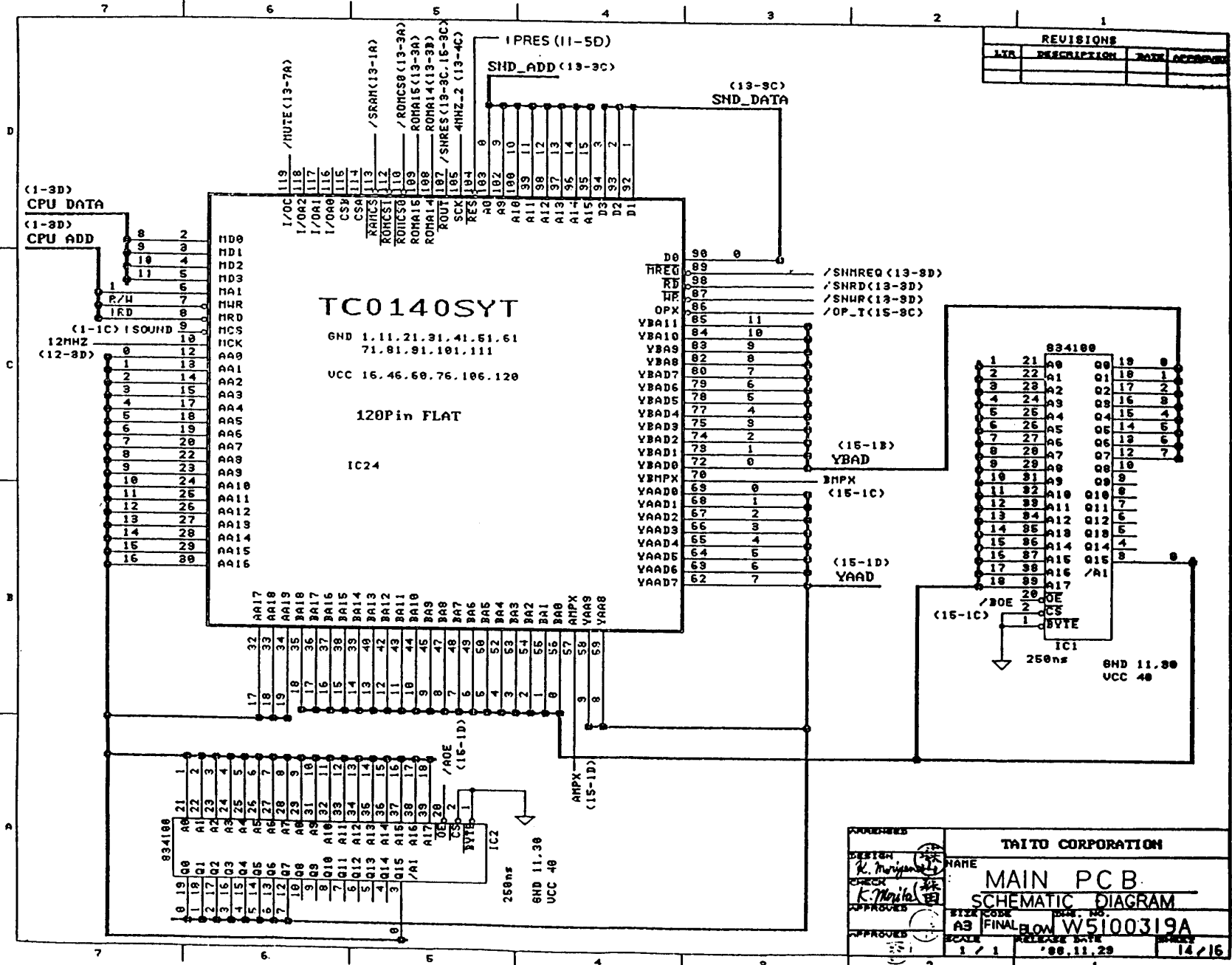


REVISIONS			
LTR	DESCRIPTION	DATE	APPROVED

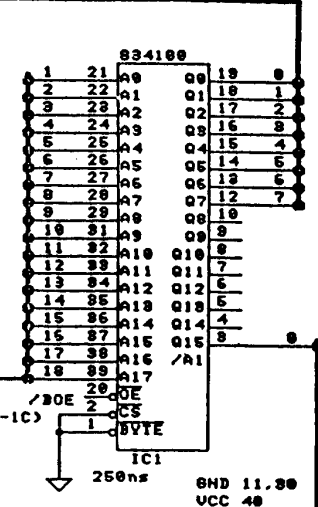
780-A			
27	M1	A0	0
19	FREQ	A1	1
20	TORG	A2	2
21	RD	A3	3
22	WR	A4	4
28	RFSH	A5	5
18	HALT	A6	6
24	WAIT	A7	7
16	INT	A8	8
17	NMI	A9	9
26	RESET	A10	10
1		A11	11
2		A12	12
3		A13	13
4		A14	14
5		A15	15
14		D0	0
15		D1	1
12		D2	2
8		D3	3
7		D4	4
9		D5	5
10		D6	6
13		D7	7

SND_ADD (14-4D, 15-4C)			
0	10	A0	00
1	9	A1	01
2	8	A2	02
3	7	A3	03
4	6	A4	04
5	5	A5	05
6	4	A6	06
7	3	A7	07
8	26	A8	08
9	24	A9	09
10	21	A10	10
11	23	A11	11
12	2	A12	12
13	25	A13	13
14	27	A14	14
1	1	A15	15
22	OE	(8D)	
28	CS	(14-5D) / ROMCS0	

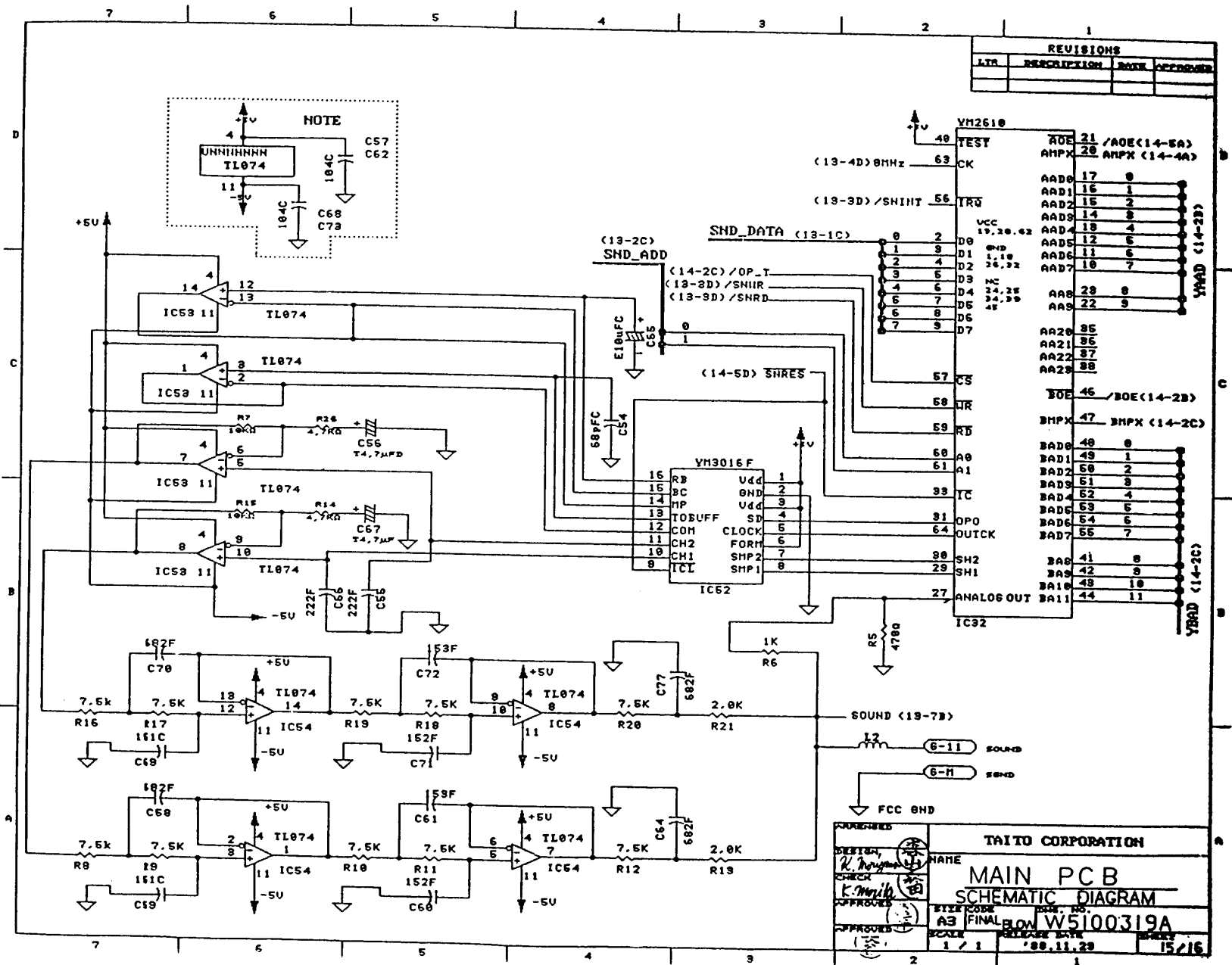
APPROVED	TAITO CORPORATION		
DESIGN <i>R. Miyamoto</i>	NAME	MAIN PCB	
CHECK <i>K. Mitsu</i>		SCHEMATIC DIAGRAM	
APPROVED	SIZE CODE	FORM. NO.	
APPROVED	A3 FINAL	FLOW	W5100319A
	1 / 1	RELEASE DATE	'88.11.29
	2		13/16



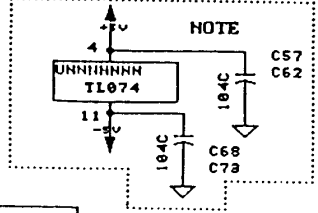
REVISIONS			
LT#	DESCRIPTION	DATE	APPROVED



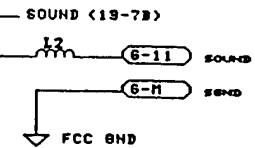
DESIGN <i>R. Morigami</i>		TAIYO CORPORATION	
CHECK <i>K. Morigami</i>		NAME MAIN PCB	
APPROVED <i>[Signature]</i>		SCHEMATIC DIAGRAM	
APPROVED <i>[Signature]</i>		SIZE CODE A3 FINAL	
SCALE 1 / 1		REV. NO. W5100319A	
DATE '00.11.29		PAGE 14 / 16	



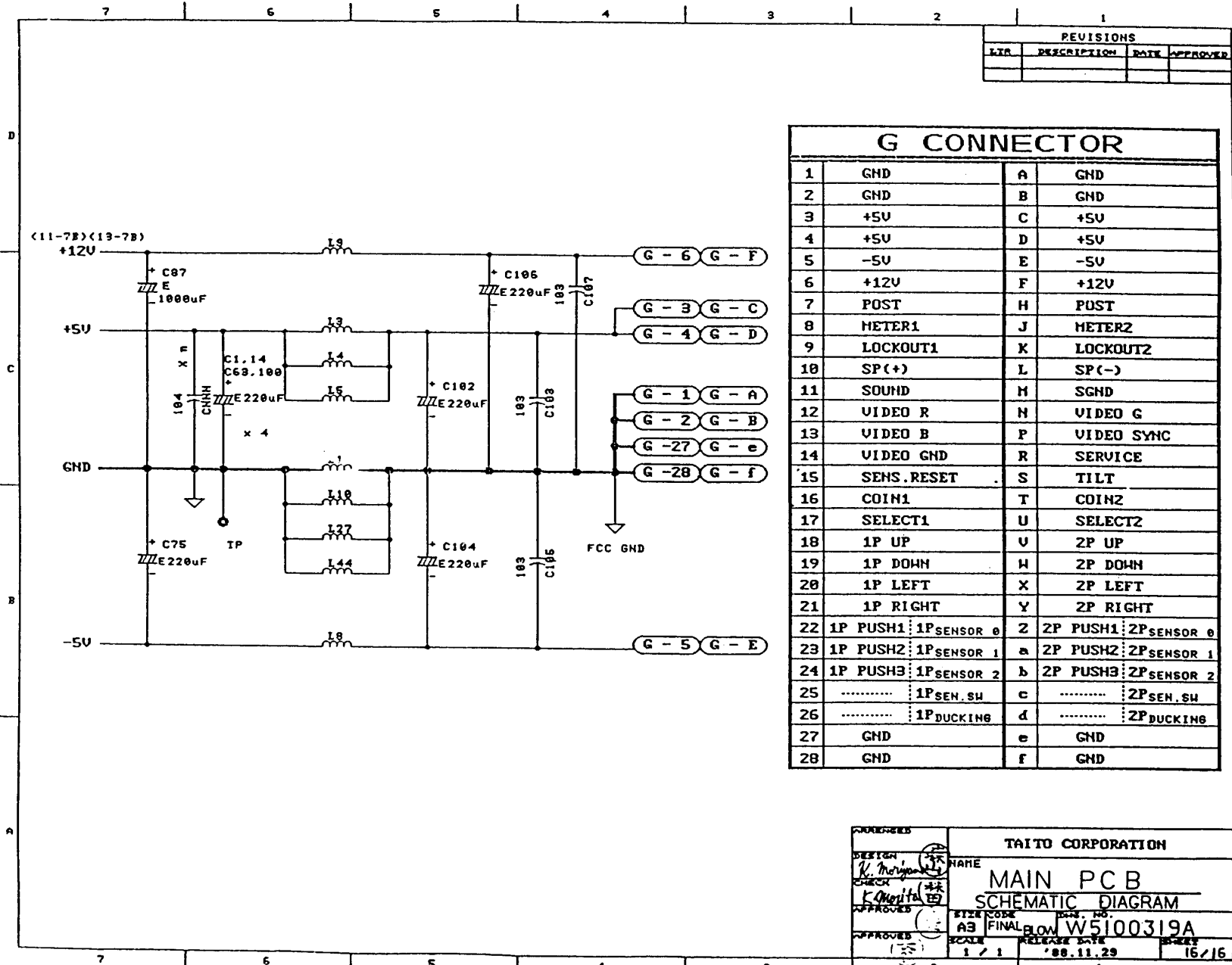
REVISIONS			
LTR	DESCRIPTION	DATE	APPROVED



Pin	Signal	Value / Description
49	TEST	AOE 21 / AOE (14-5A)
63	CK	AMPX 20 AMPX (14-4A)
56	TRV	(13-3D) / SHINT
17	AAD0	0
16	AAD1	1
15	AAD2	2
14	AAD3	3
13	AAD4	4
12	AAD5	5
11	AAD6	6
10	AAD7	7
29	AA8	8
22	AA9	9
35	AA20	0
36	AA21	1
37	AA22	2
38	AA23	3
46	BOE	BOE (14-2B)
47	BMPX	BMPX (14-2C)
48	BAD0	0
49	BAD1	1
50	BAD2	2
51	BAD3	3
52	BAD4	4
53	BAD5	5
54	BAD6	6
55	BAD7	7
41	BAD8	8
42	BAD9	9
43	BA10	10
44	BA11	11



DESIGNED		TAITO CORPORATION	
DESIGNER	NAME	MAIN PCB	
CHECKER	DATE	SCHEMATIC DIAGRAM	
APPROVED	SCALE	SIZE CODE	REV. NO.
APPROVED	SCALE	A3 FINAL FLOW	W5100319A
		1 / 1	RELEASE DATE '88.11.29
			15216

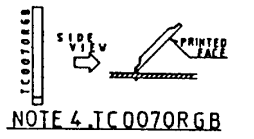
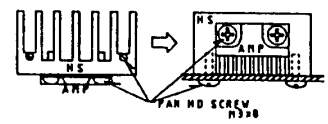
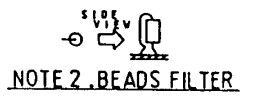
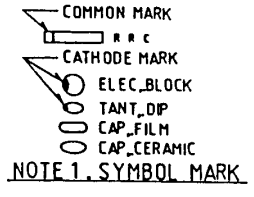
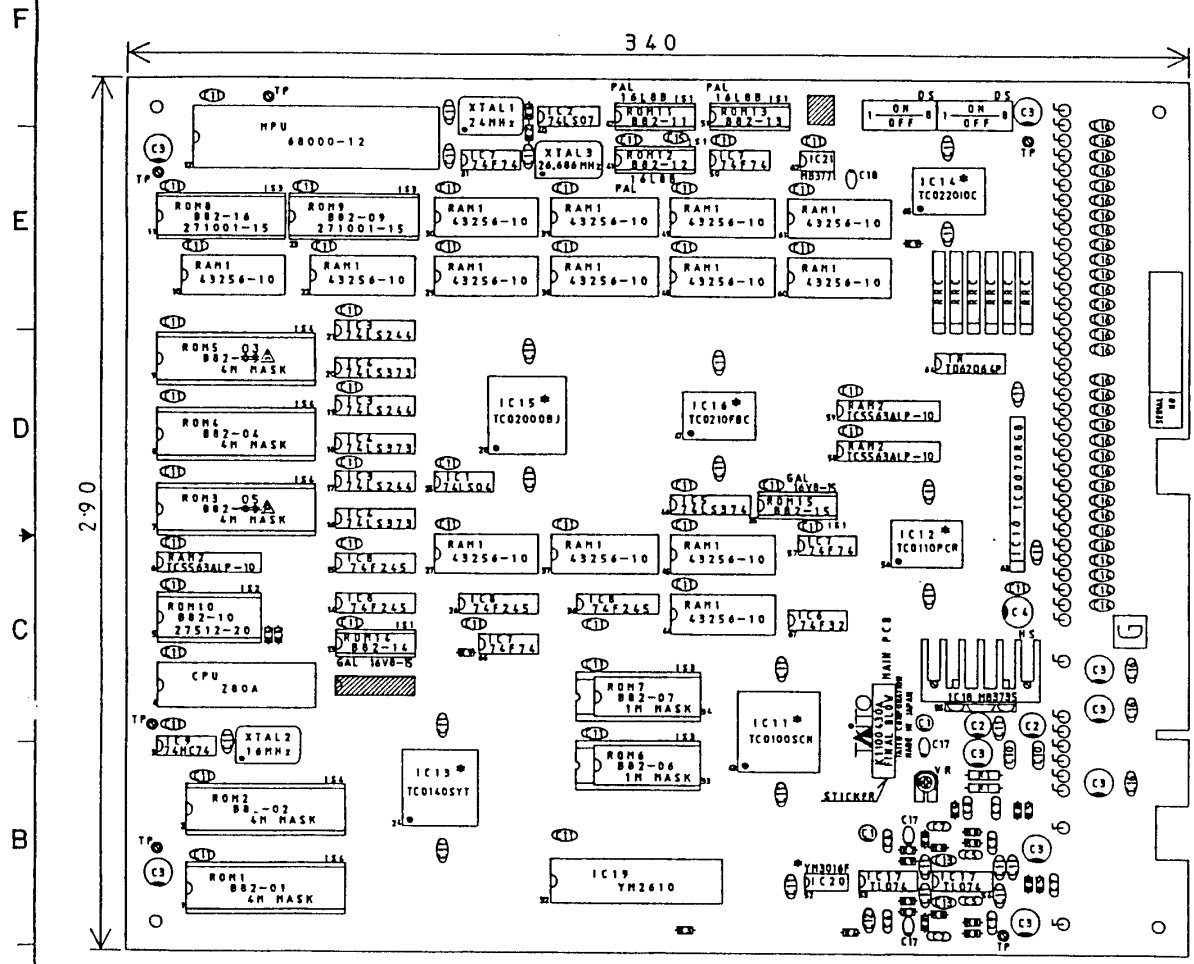


REVISIONS			
LT#	DESCRIPTION	DATE	APPROVER

G CONNECTOR				
1	GND	A	GND	
2	GND	B	GND	
3	+5V	C	+5V	
4	+5V	D	+5V	
5	-5V	E	-5V	
6	+12V	F	+12V	
7	POST	H	POST	
8	METER1	J	METER2	
9	LOCKOUT1	K	LOCKOUT2	
10	SP(+)	L	SP(-)	
11	SOUND	M	SGND	
12	VIDEO R	N	VIDEO G	
13	VIDEO B	P	VIDEO SYNC	
14	VIDEO GND	R	SERVICE	
15	SENS.RESET	S	TILT	
16	COIN1	T	COIN2	
17	SELECT1	U	SELECT2	
18	1P UP	U	2P UP	
19	1P DOWN	W	2P DOWN	
20	1P LEFT	X	2P LEFT	
21	1P RIGHT	Y	2P RIGHT	
22	1P PUSH1	1PSENSOR 0	2P PUSH1	2PSENSOR 0
23	1P PUSH2	1PSENSOR 1	2P PUSH2	2PSENSOR 1
24	1P PUSH3	1PSENSOR 2	2P PUSH3	2PSENSOR 2
25	1PSEN. SW	2PSEN. SW
26	1P DUCKING	2P DUCKING
27	GND	e	GND	
28	GND	f	GND	

DESIGN	TAITO CORPORATION		
CHECK	NAME	MAIN PCB	
APPROVED	SCHEMATIC DIAGRAM		
APPROVED	SIZE CODE	ISS. NO.	
	A3	FINAL	W5100319A
	SCALE	RELEASE DATE	88.11.29
	1/1		16/16

REVISIONS		
NO	DESCRIPTION	DATE
△ FA-2	4 POINTS	6.13.88



★ ⇒ FLAT PACKAGE
▩ ⇒ NO MOUNT



FORM 348E PROTECTON	PLAN	DATE	TAITO CORPORATION
<small>PRELIS EYE FIRST INSPECTED OPERATIONAL USE IN PRODUCTION THIS BOARD</small>	3.30.89		
<small>REVISED WORK BY REVISED DATE</small>	<i>R. Nishimura</i> C1001		MAIN PCE ASSY - TAMCO -
<small>DESIGN</small>	<i>K. Nishimura</i>		
<small>FUN</small>			
DO NOT SCALE DRAWING		REV A2	<small>TYPE OR BLOW</small> K1100430B <small>SCALE OR DRAWING</small> 1/2