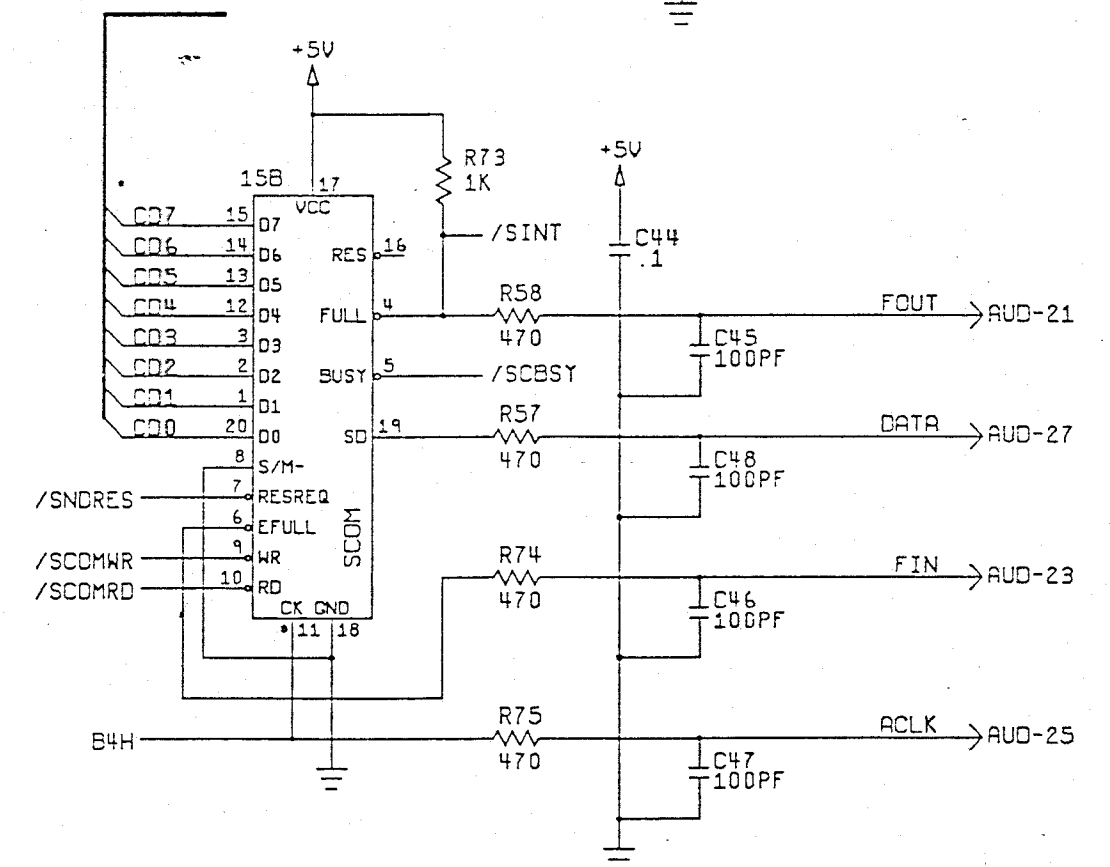
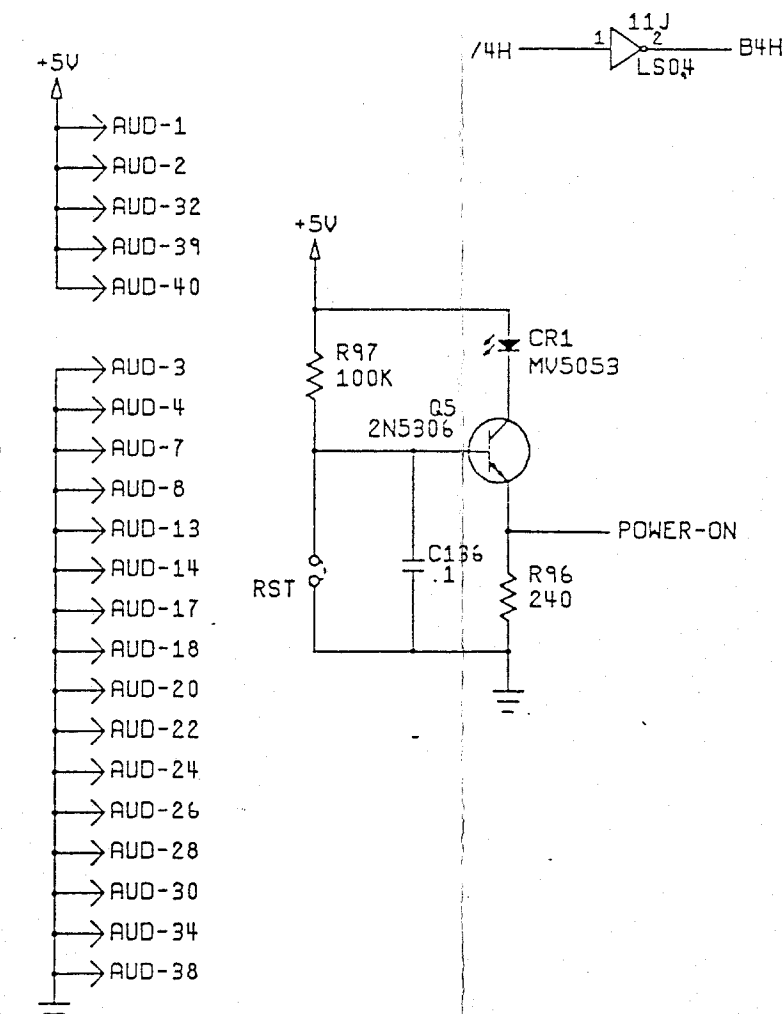
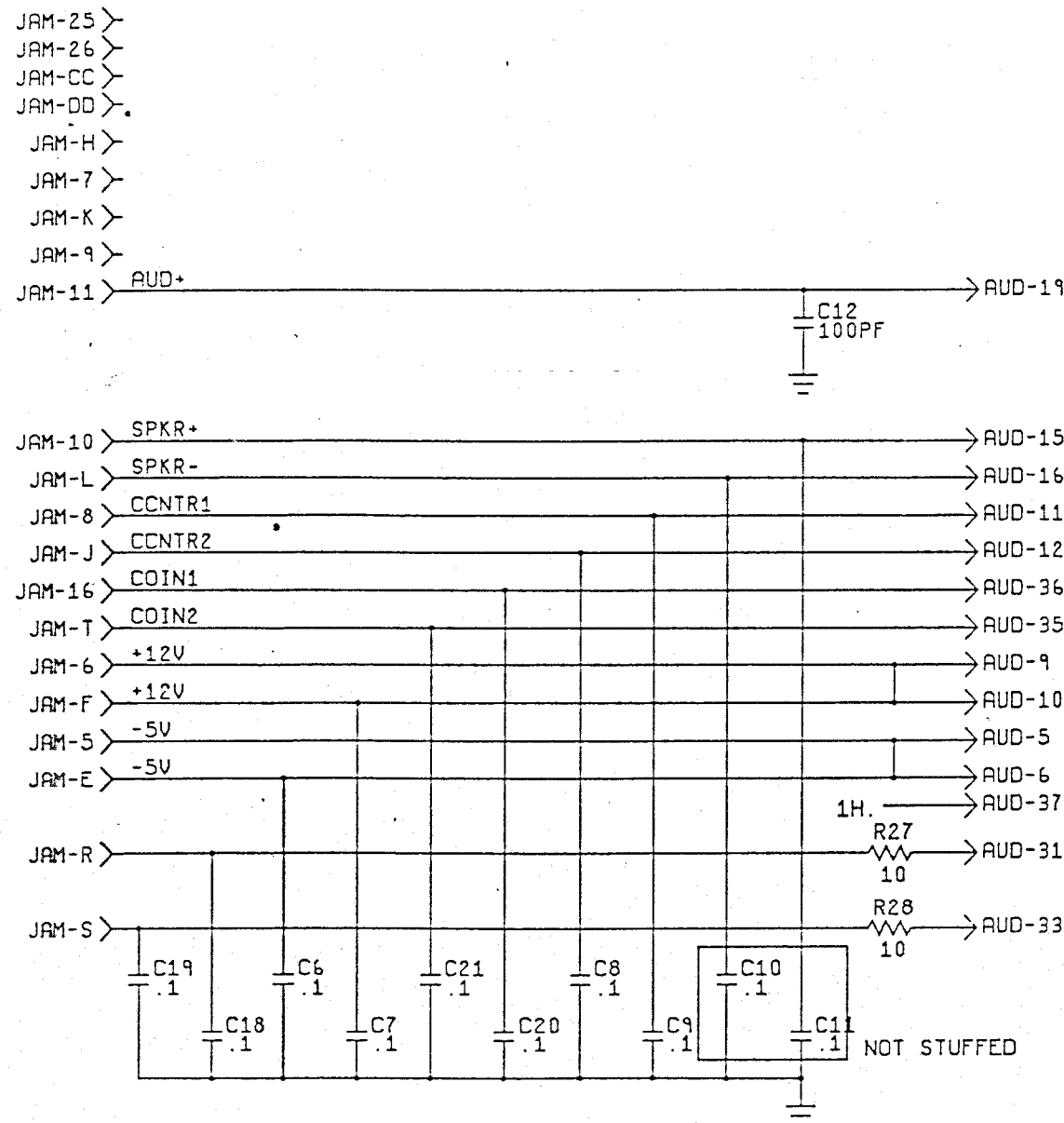
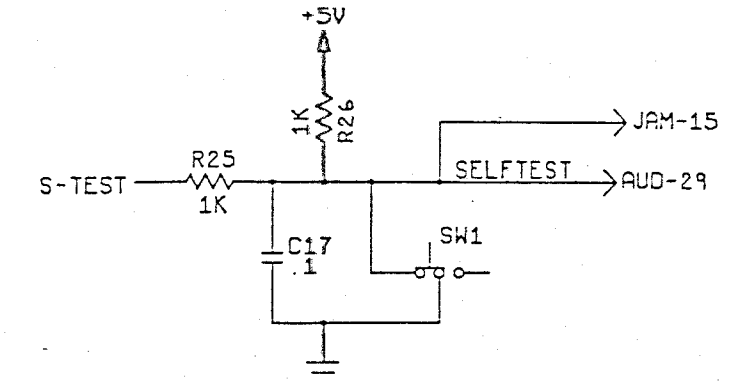
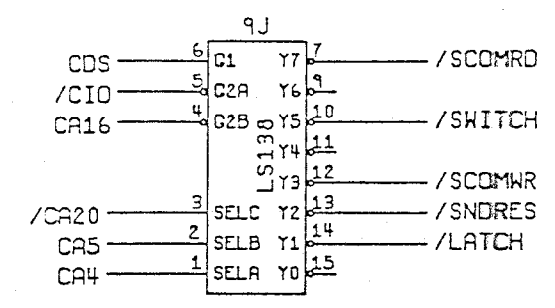
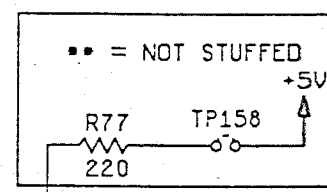
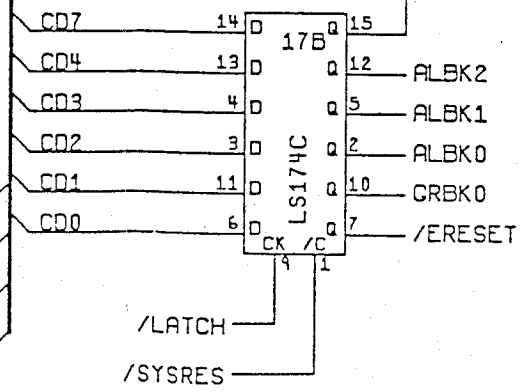
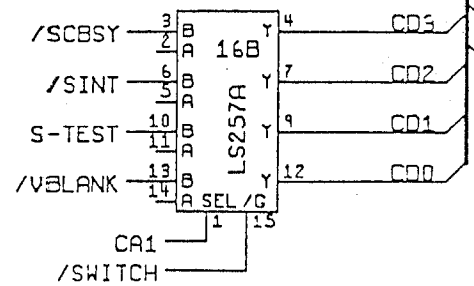
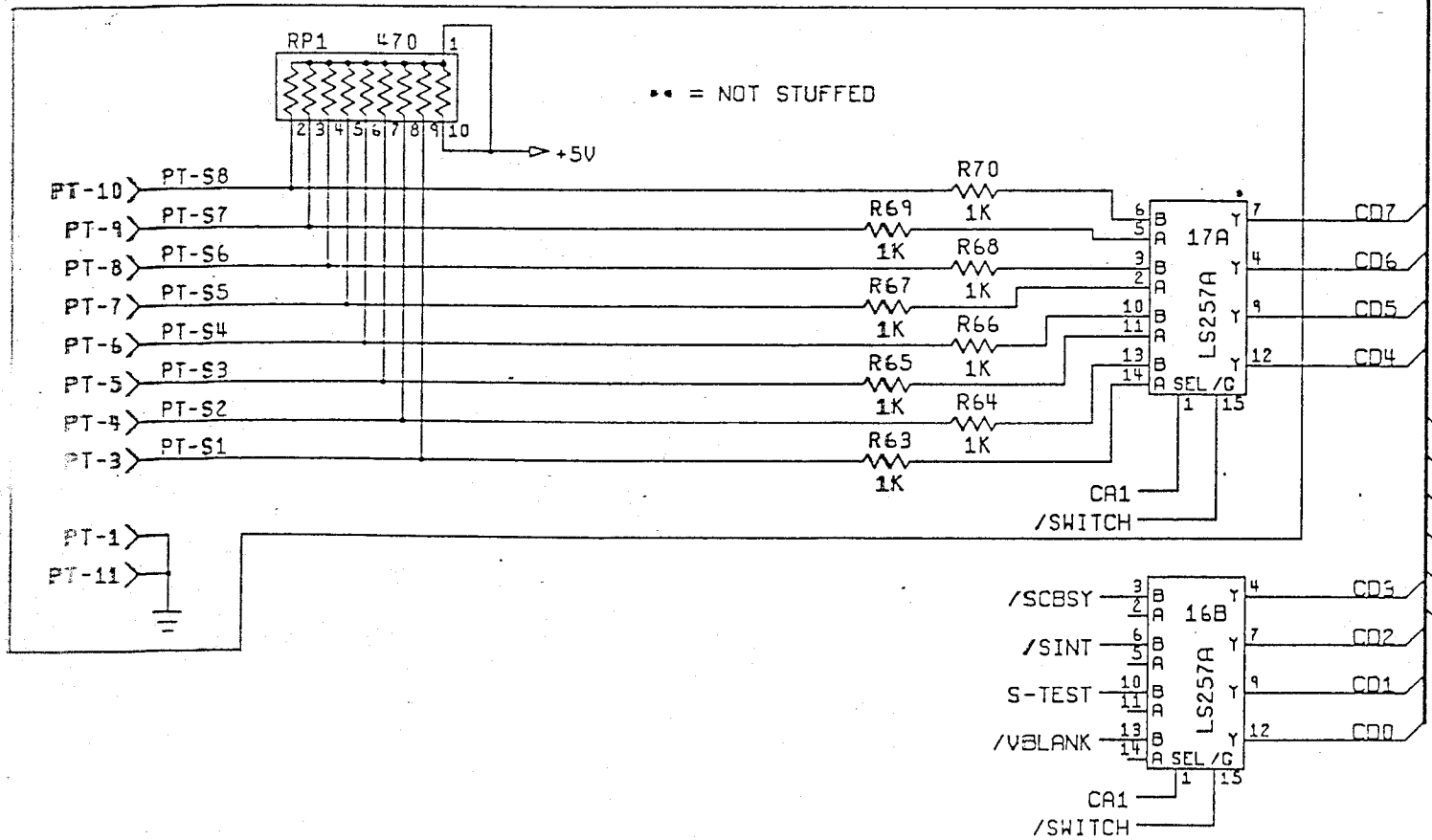
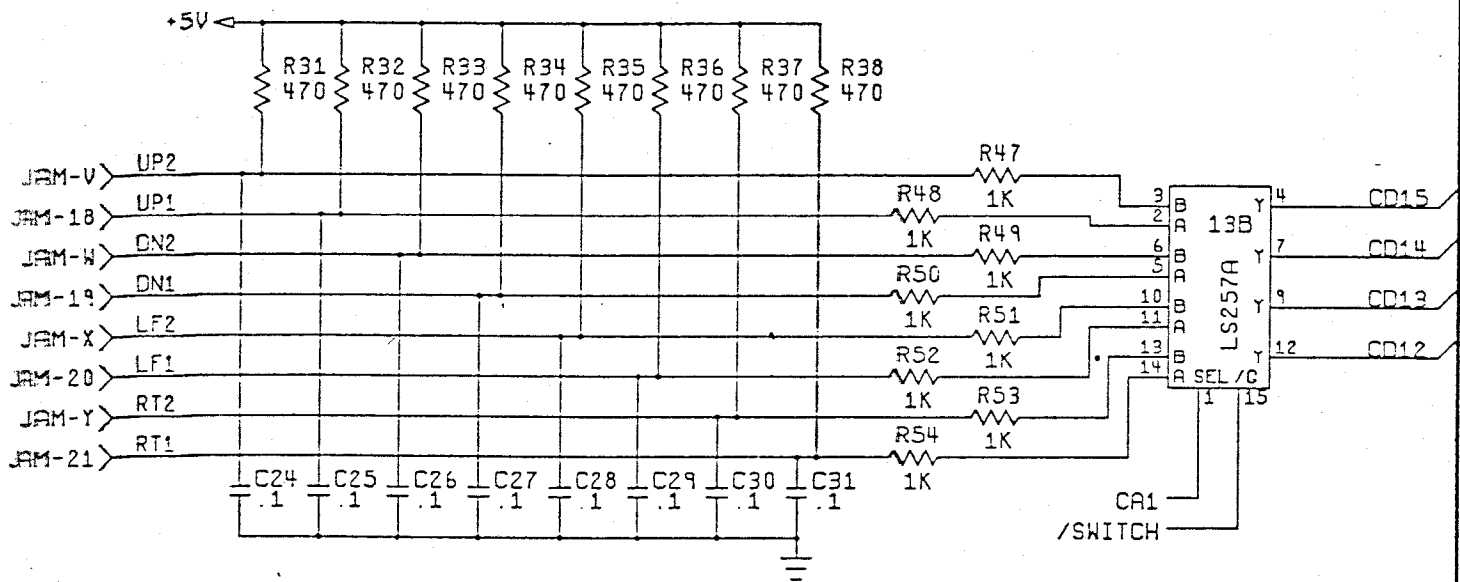
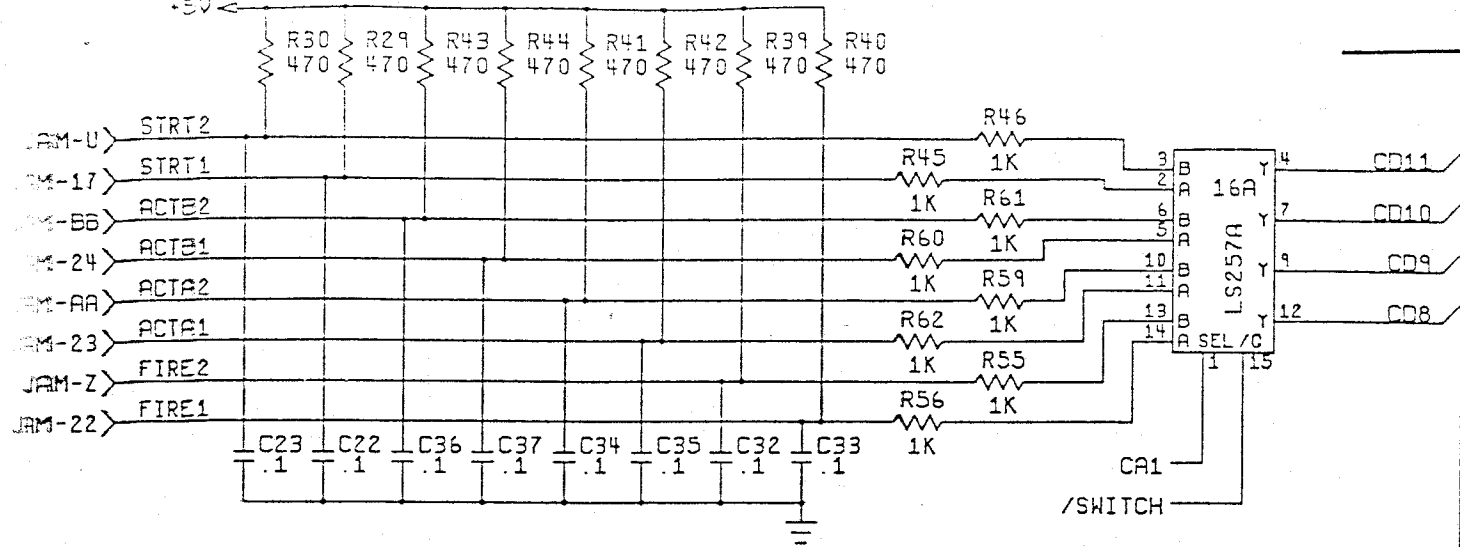


SYM	DESCRIPTION	DATE	INCRP	CHECK	APPROV
A	PRODUCTION RELEASE	4-17 1990	STAFF		PMCC
B	ECN 13888	5-23 1990	STAFF		PMCC
C	ECN 13960	7-31 90	LSF		PMCC



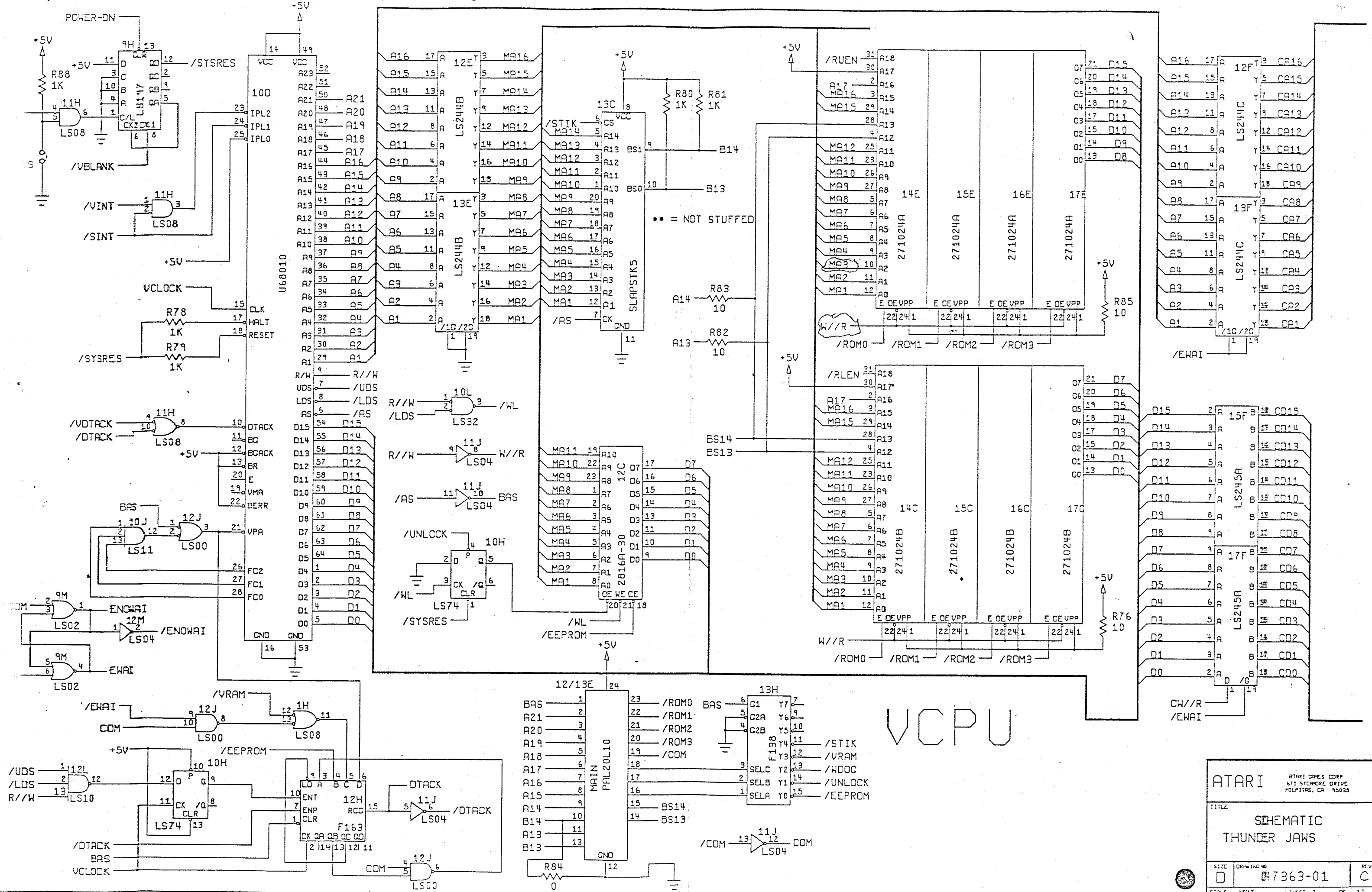
S I / O

DO NOT SCALE DRAWING		DRAWN BY STAFF	DATE 2-20-90	ATARI ATARI GAMES CORP. 675 STOWERS DRIVE MILPITAS, CA 95035
UNLESS OTHERWISE SPECIFIED DIMENSIONS ARE IN INCHES TOLERANCES ON: ANGLES ± 1° XX ± .1 XXX ± .05		CHECKED BY	DATE	
XXXXXX	T-JAWS	ENGR, ELEC	DATE	TITLE
NEXT ASSY	FIRST USED ON	PROJ ENGR P MCCARTHY	DATE 5-7-90	SCHEMATIC THUNDER JAWS
MATERIAL: SEE PL A000000-01 A000000-21		MFG ENGR D WRIGHTHOPE	DATE 5-8-90	
FINISH:				SIZE D
NOTICE TO ALL PERSONS RECEIVING THIS DRAWING: THIS DRAWING IS THE PROPERTY OF ATARI GAMES CORPORATION. IT IS TO BE USED ONLY FOR THE PROJECT AND NOT TO BE REPRODUCED OR TRANSMITTED IN ANY FORM OR BY ANY MEANS, ELECTRONIC OR MECHANICAL, INCLUDING PHOTOCOPYING, RECORDING, OR BY ANY INFORMATION STORAGE AND RETRIEVAL SYSTEM. WITHOUT THE WRITTEN PERMISSION OF ATARI GAMES CORPORATION, NO PART OF THIS DRAWING IS TO BE REPRODUCED OR TRANSMITTED IN ANY FORM OR BY ANY MEANS, ELECTRONIC OR MECHANICAL, INCLUDING PHOTOCOPYING, RECORDING, OR BY ANY INFORMATION STORAGE AND RETRIEVAL SYSTEM. WITHOUT THE WRITTEN PERMISSION OF ATARI GAMES CORPORATION.				DRAWING NO 047363-01
				REV C
				SCALE NONE
				SHEET 1 OF 10



I/O

ATARI		ATARI GAMES CORP. 675 STEVENS DRIVE MILPITAS, CA. 95035
TITLE SCHEMATIC THUNDER JAWS		
SIZE D	DRAWING NO. 047363-01	REV C
SCALE NONE	SHEET 2	OF 10



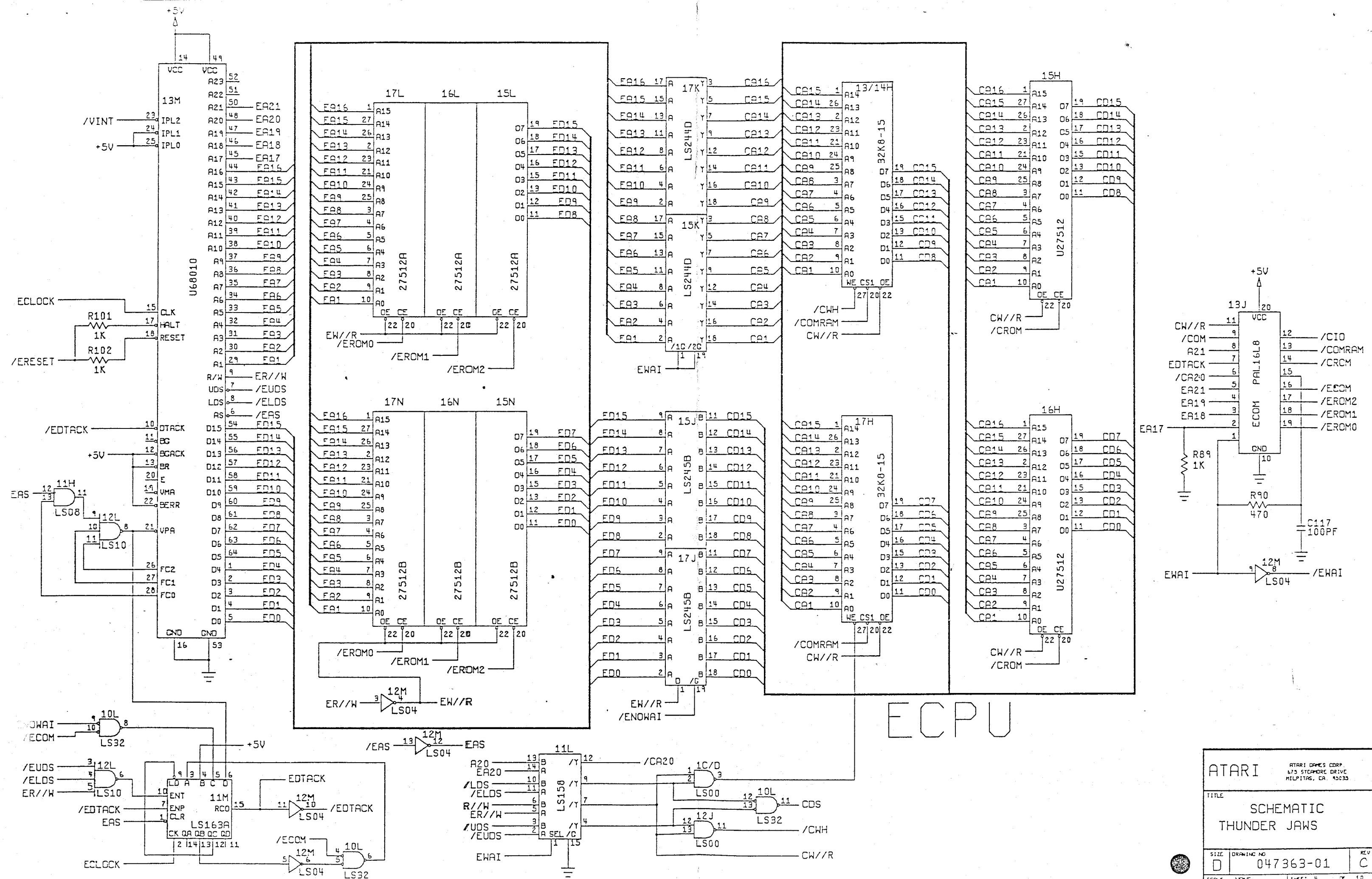
VCPU

ATARI
 ATARI GAMES CORP
 675 STEVENS DRIVE
 MILPITAS, CA 95035

TITLE
 SCHEMATIC
 THUNDER JAWS

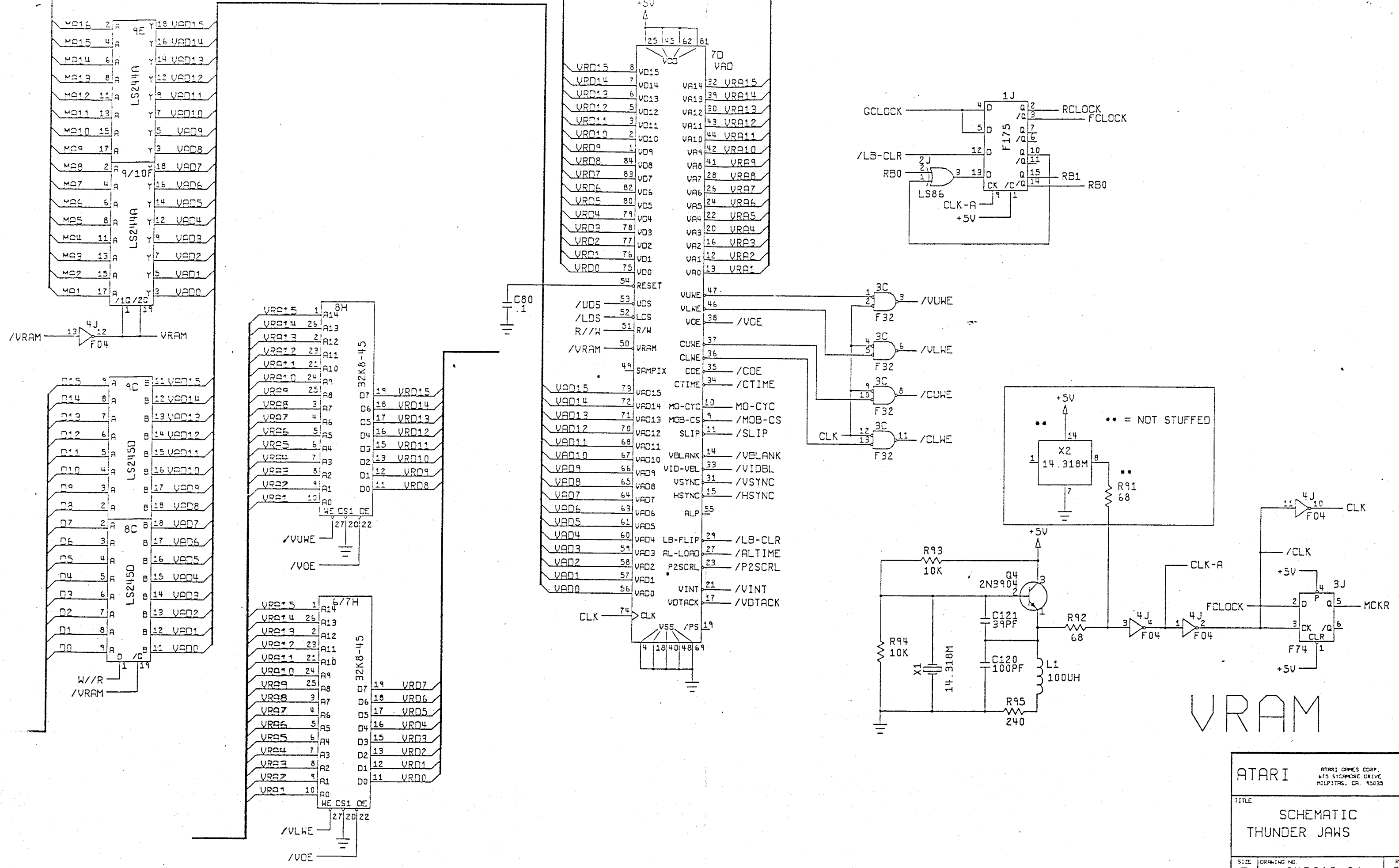
SIZE DRAWING REV
 D 47363-01 C

SCALE NONE SHEET 3 OF 10



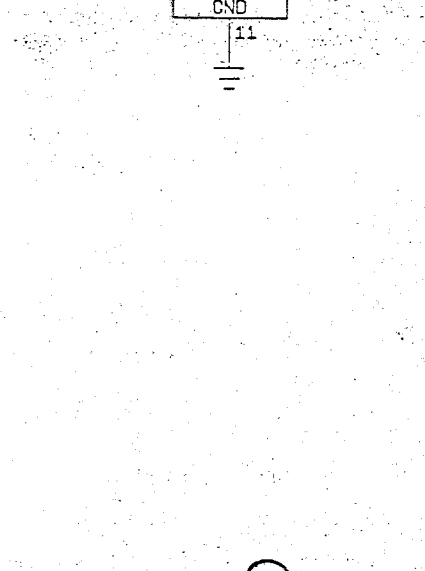
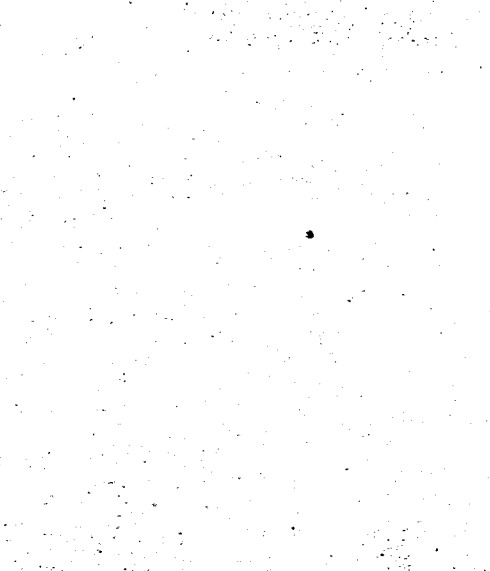
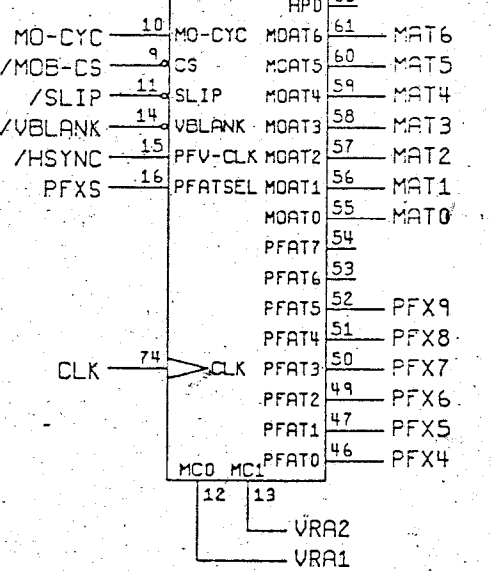
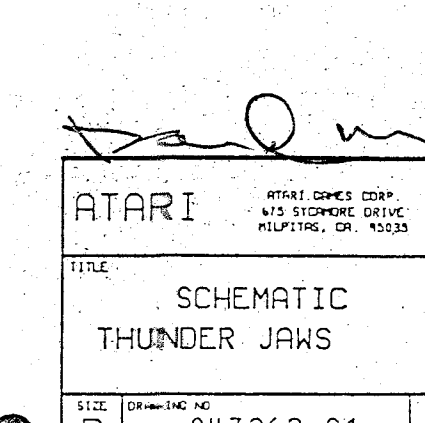
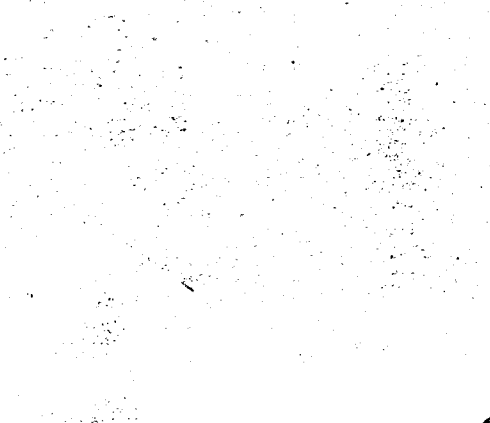
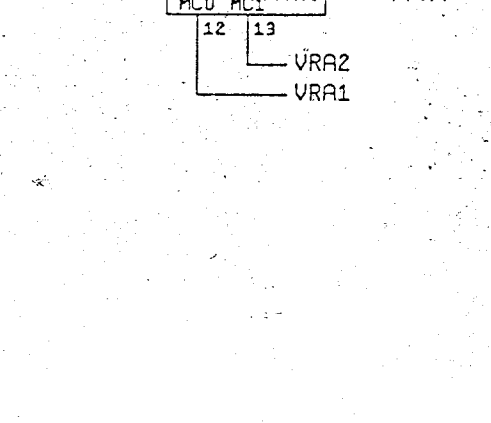
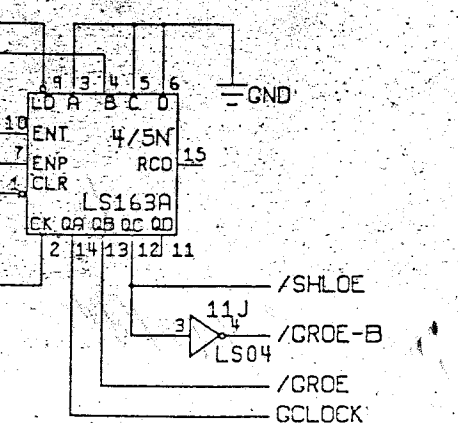
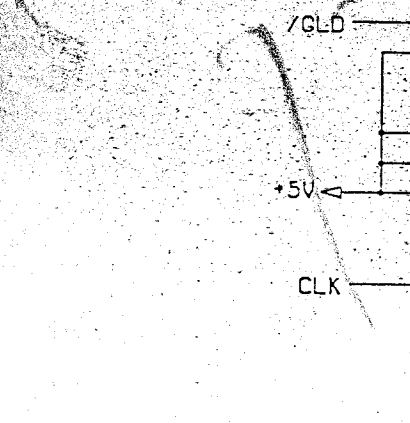
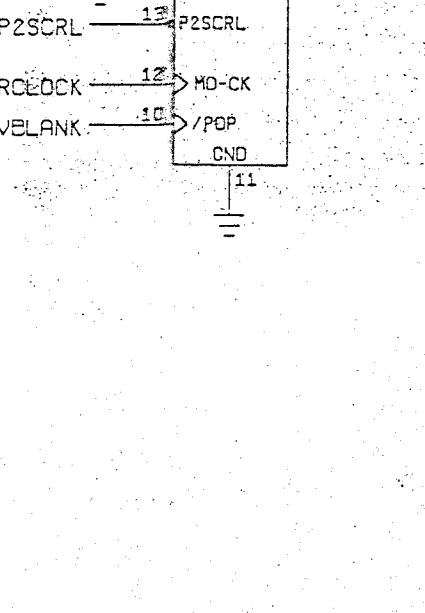
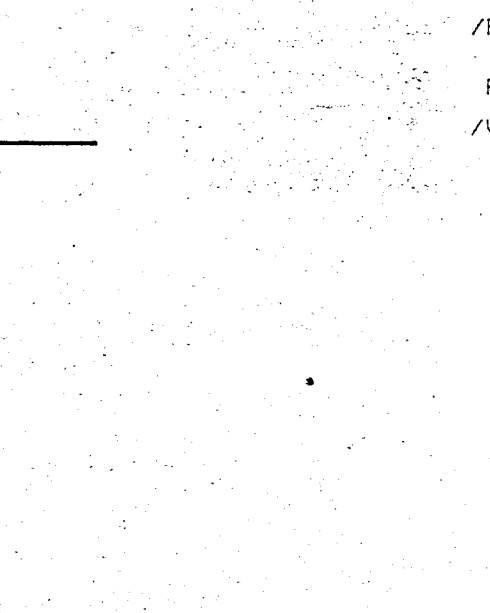
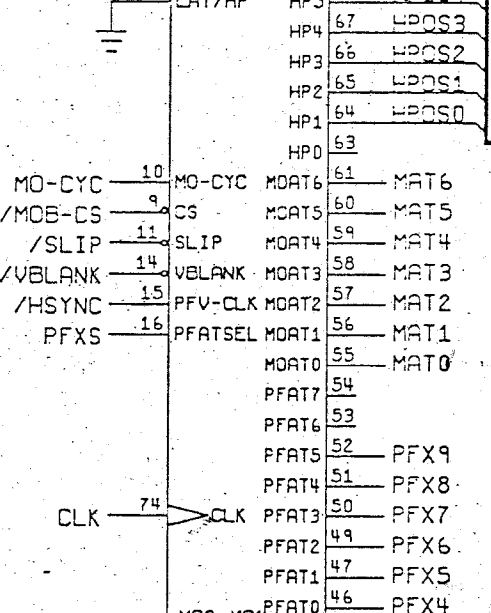
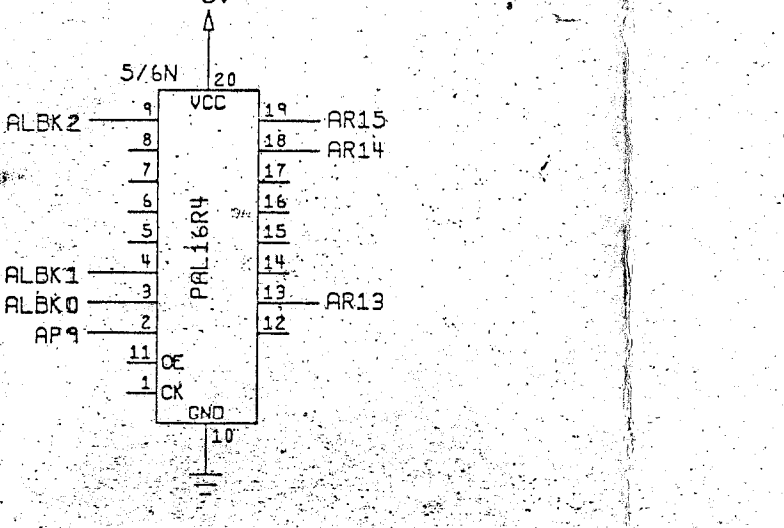
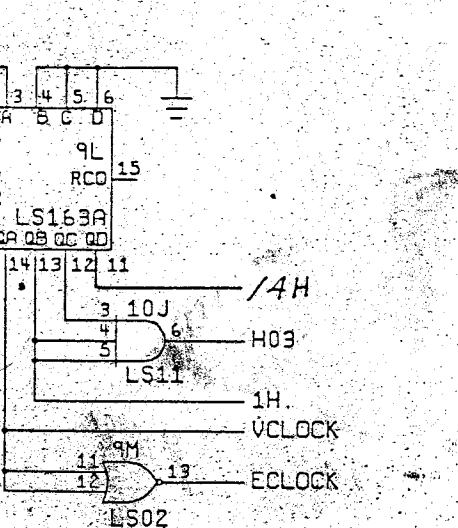
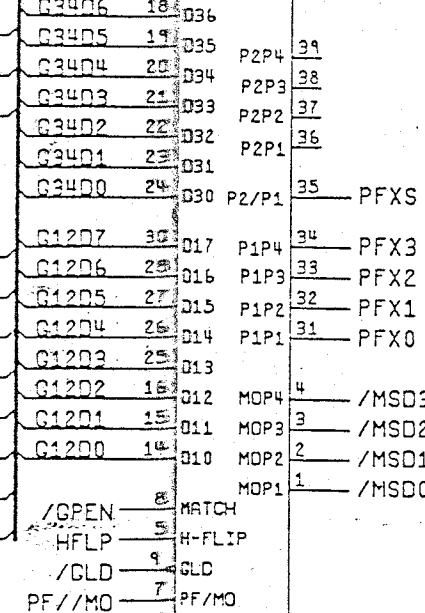
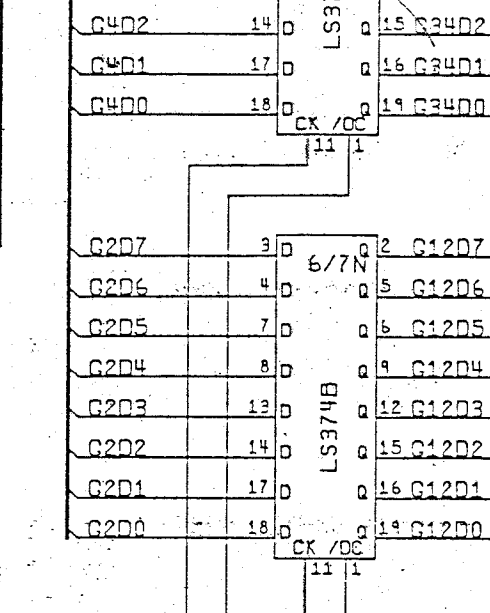
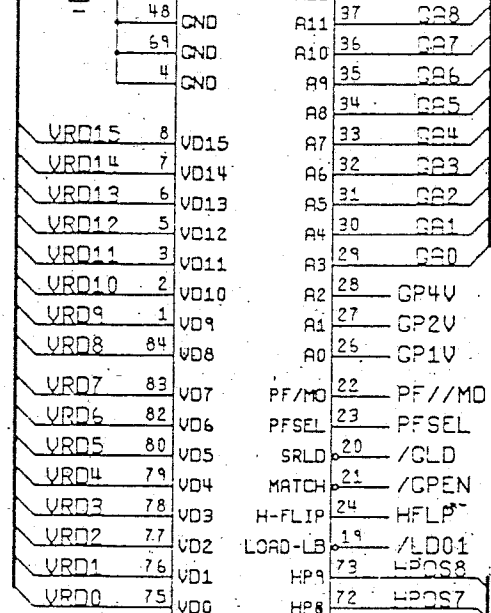
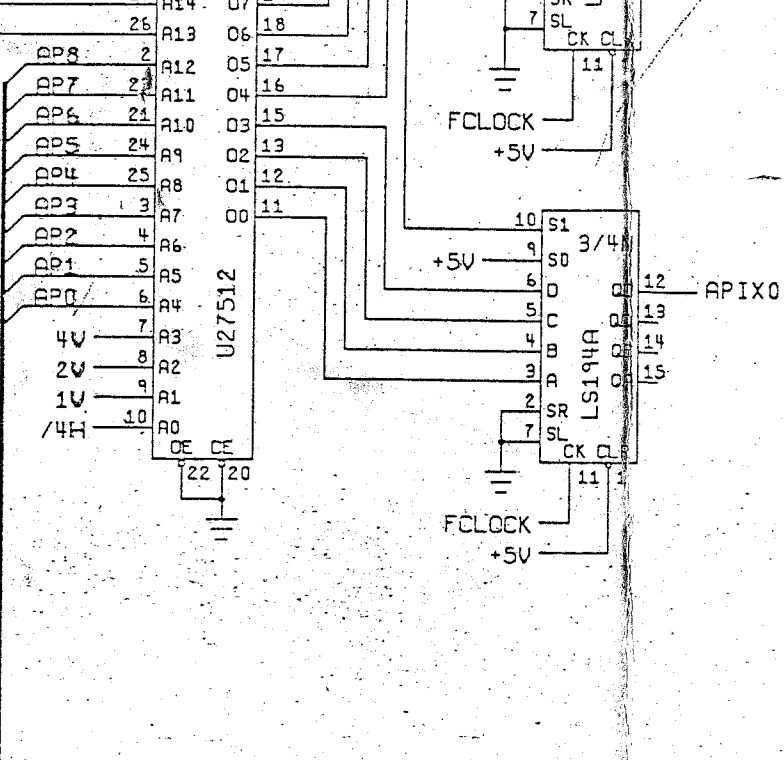
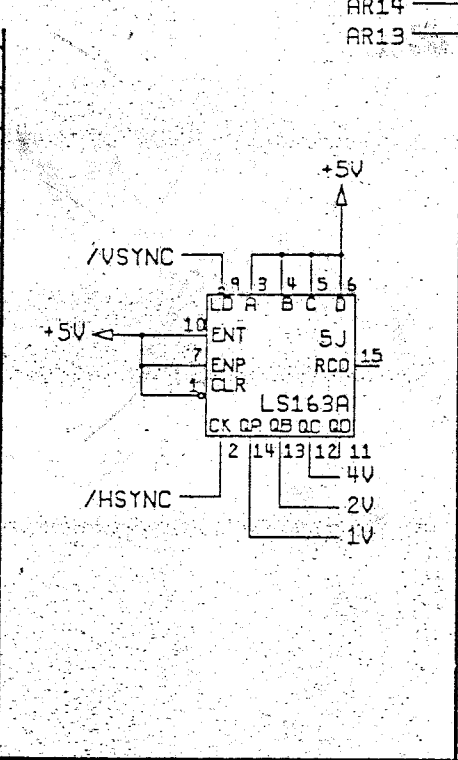
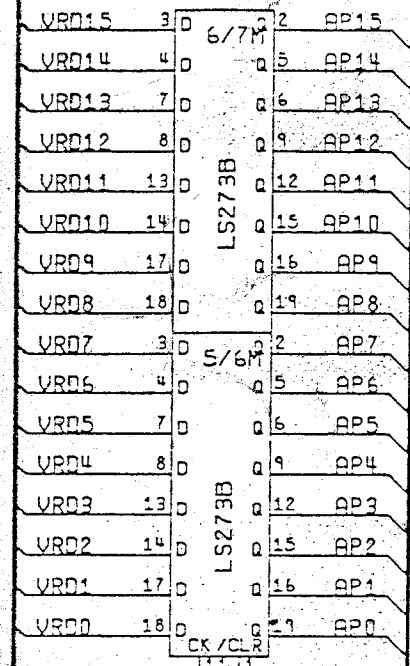
ECPU

ATARI		
ATARI GAMES CORP. 675 STEVENS DRIVE MILPITAS, CA. 95035		
TITLE		
SCHEMATIC THUNDER JAWS		
SIZE	DRAWING NO	REV
D	047363-01	C
SCALE	NONE	SHEET 4 OF 10



VRAM

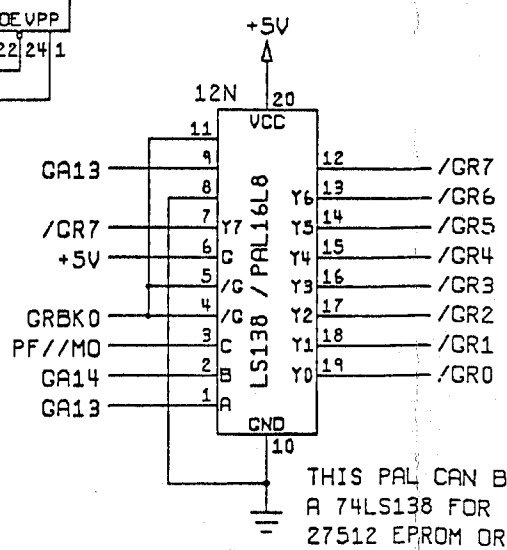
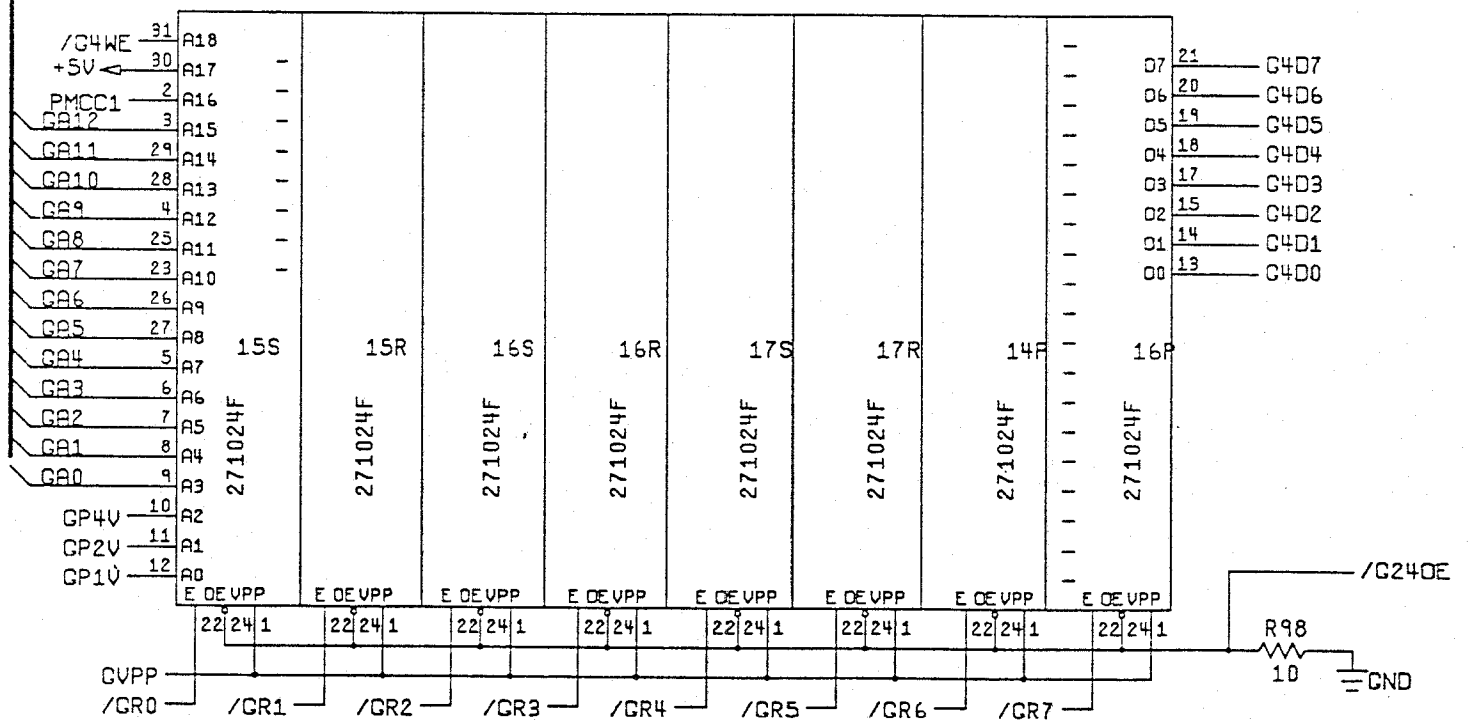
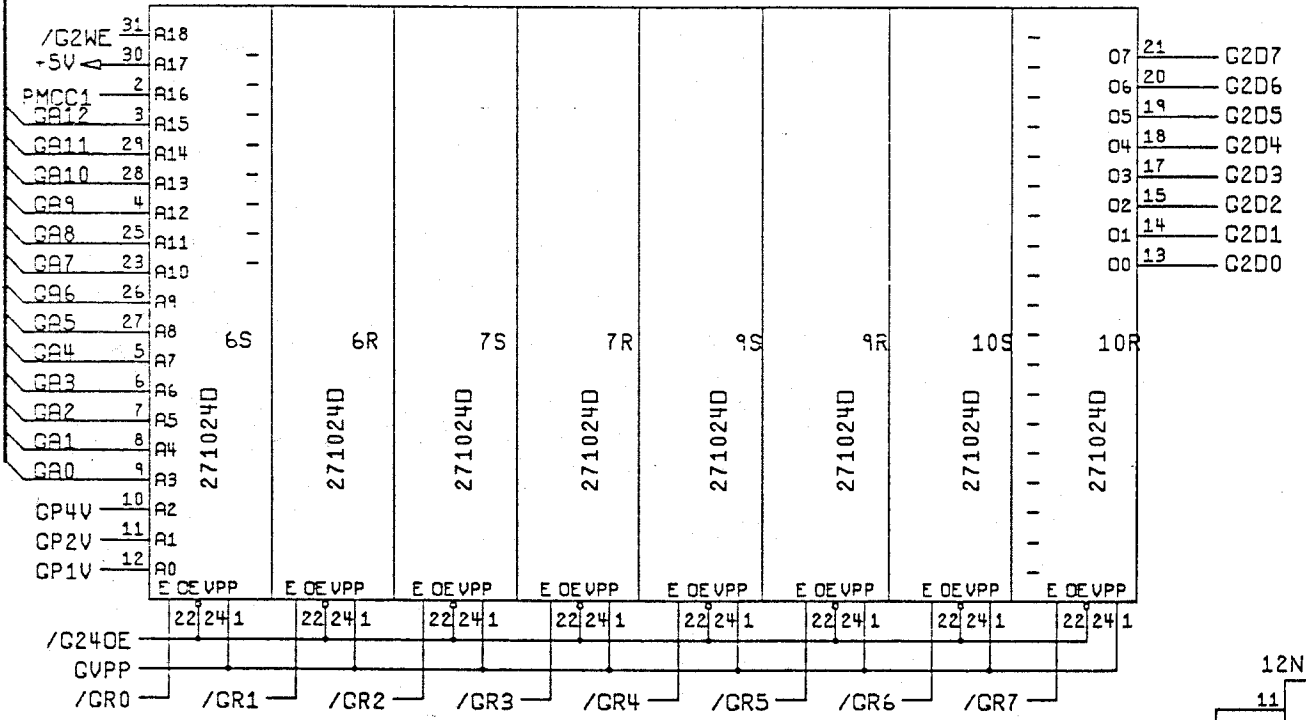
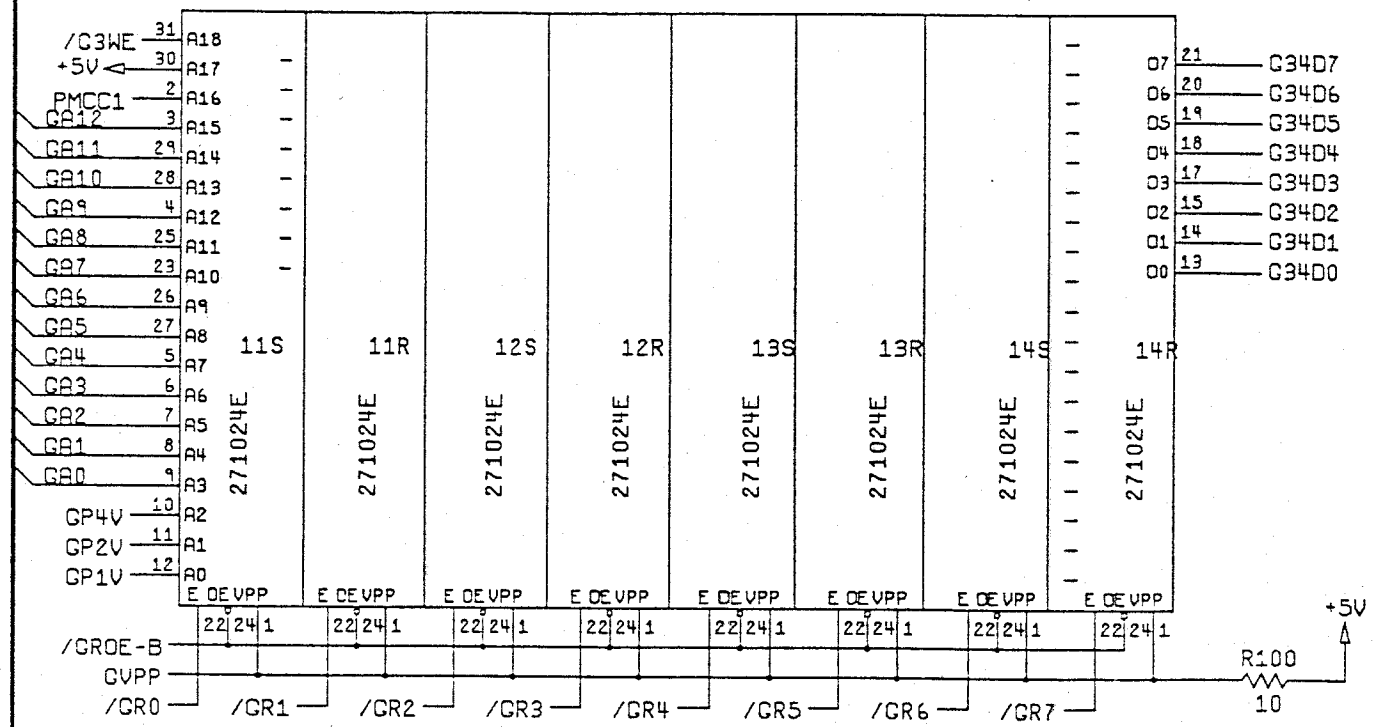
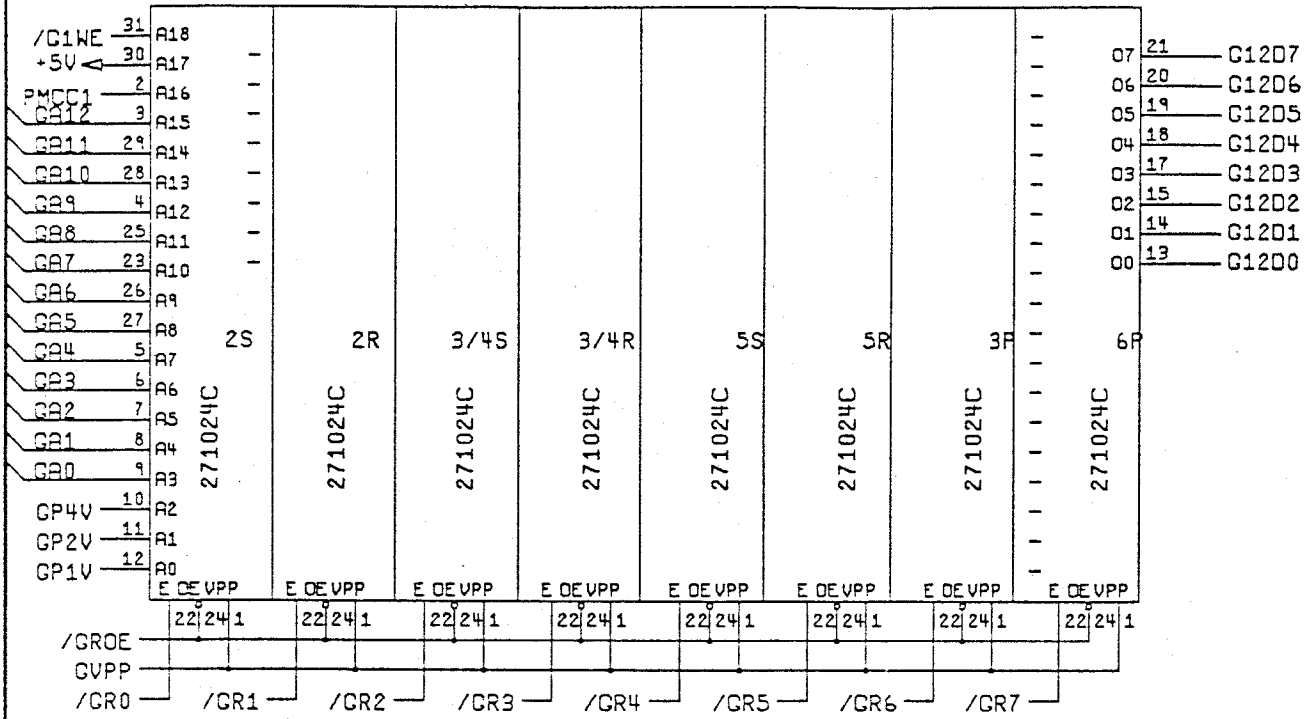
ATARI		ATARI GAMES CORP. 675 STORMORE DRIVE MILPITAS, CA. 95035
TITLE		
SCHEMATIC THUNDER JAWS		
SIZE	DRAWING NO.	REV
D	047363-01	C
SCALE	NONE	SHEET 5 OF 10



ATARI
 ATARI GAMES CORP.
 675 STEVENS DRIVE
 MILPITAS, CA. 95035

TITLE
 SCHEMATIC
 THUNDER JAWS

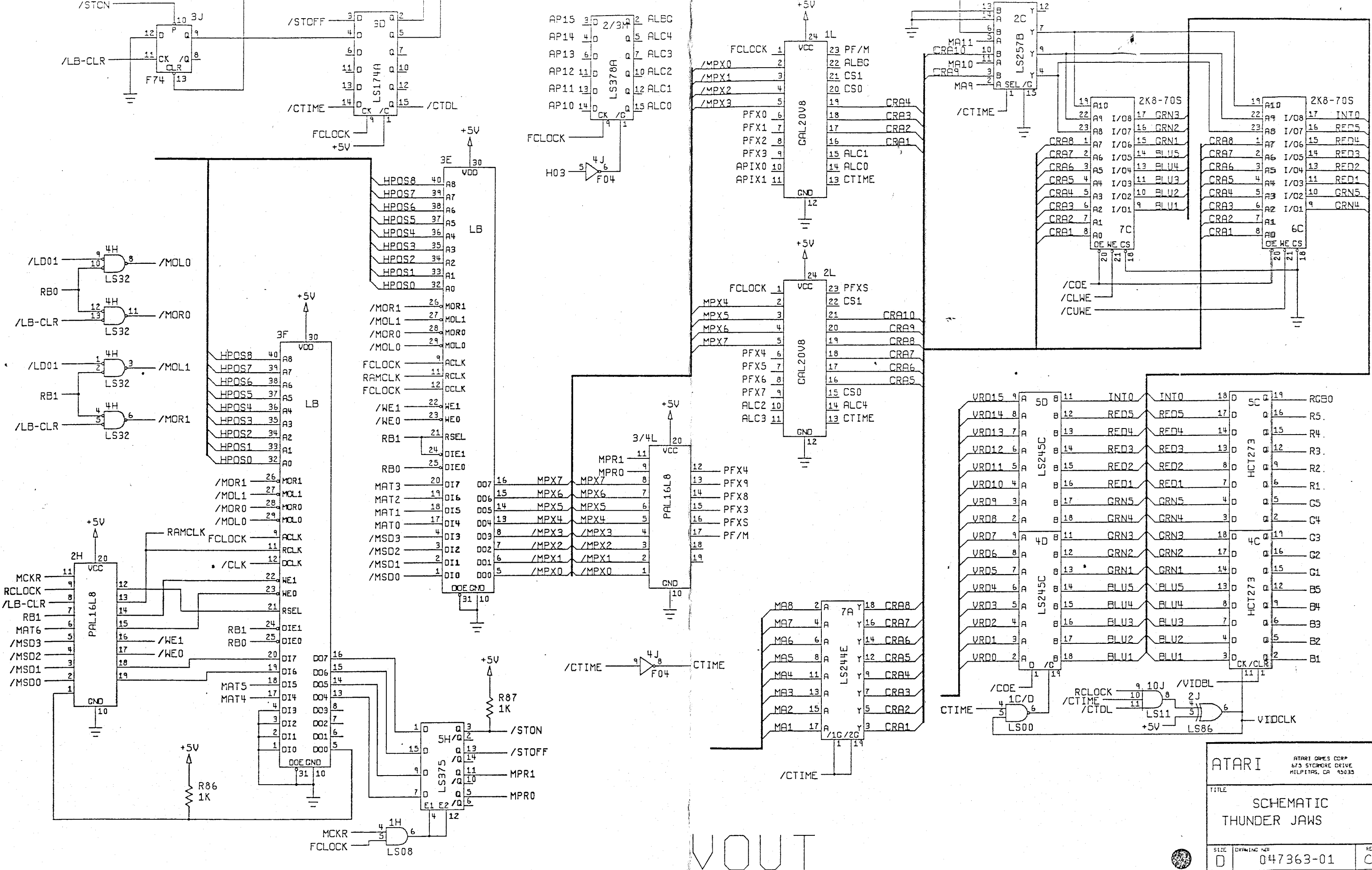
SIZE D DRAWING NO 047363-01 REV C
 SCALE NONE SHEET 6 OF 10



THIS PAL CAN BE REPLACED WITH
A 74LS138 FOR A STANDARD
27512 EPROM OR 1M ROM CONFIGURATION.

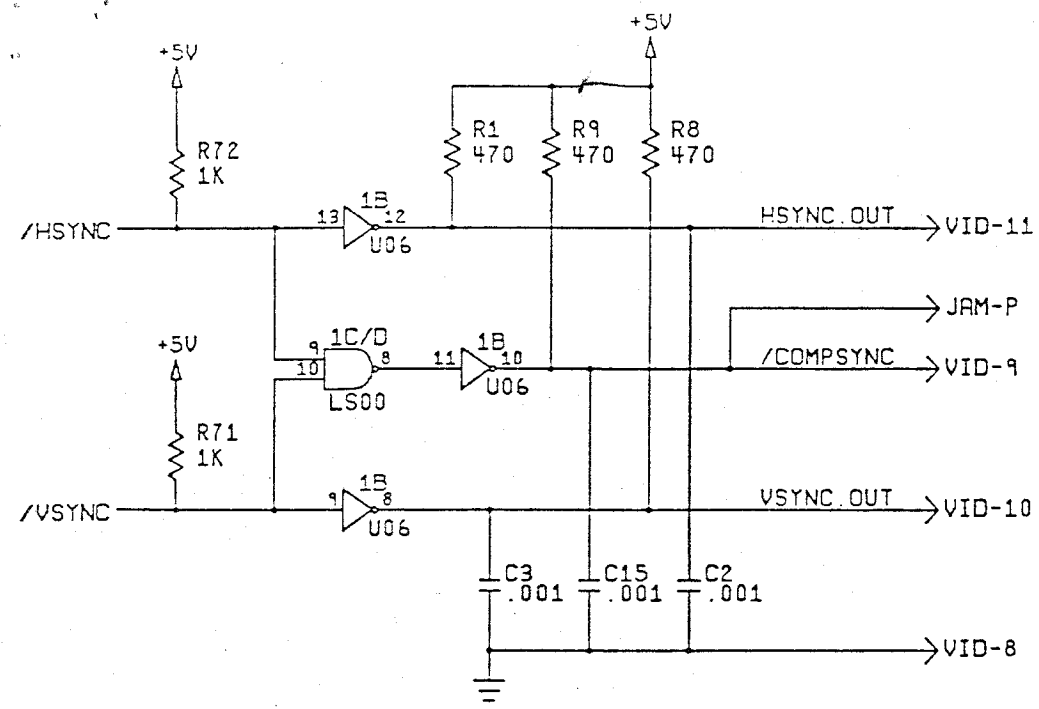
GR-MEM

ATARI		ATARI GAMES CORP. 675 STEWART DRIVE MILPITAS, CA. 95035
TITLE		
SCHEMATIC THUNDER JAWS		
SIZE	DRAWING NO.	REV
D	047363-01	C
SCALE	NONE	SHEET 7 OF 10

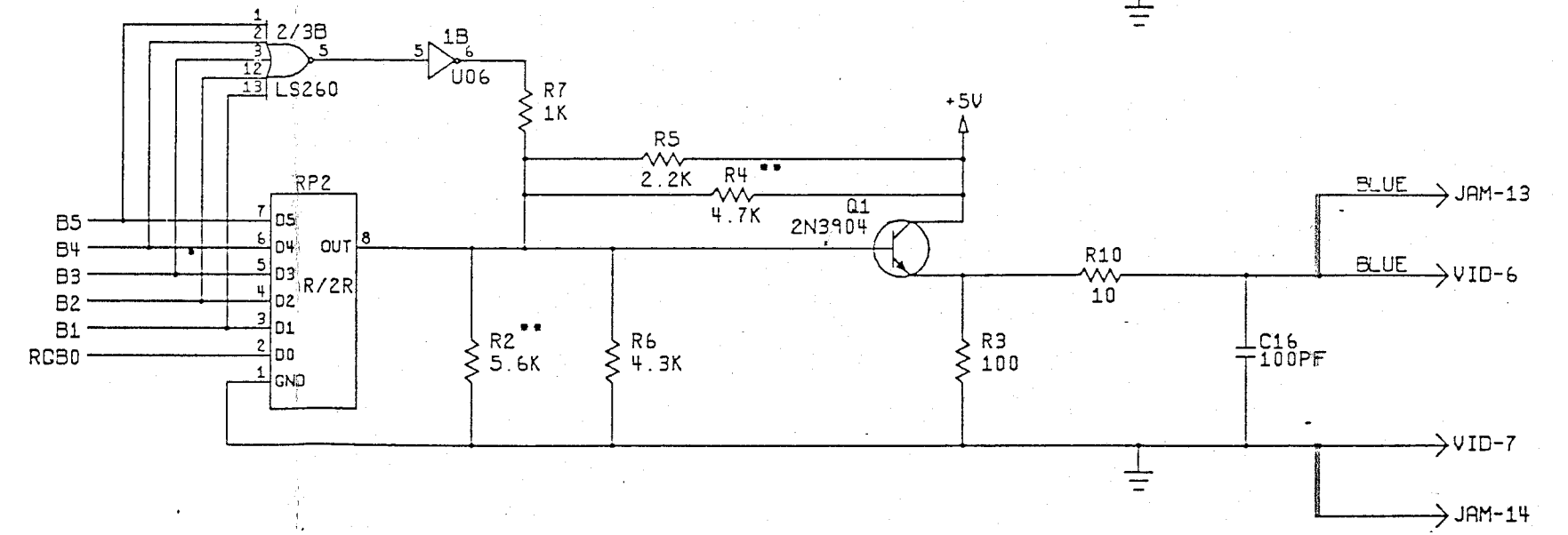
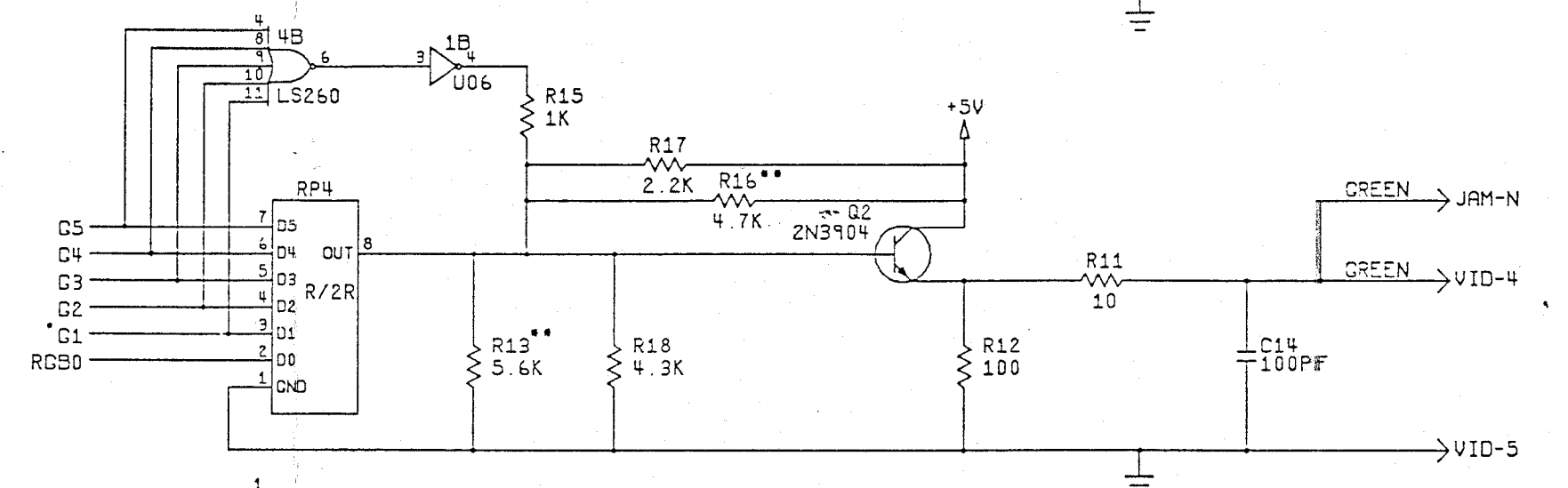
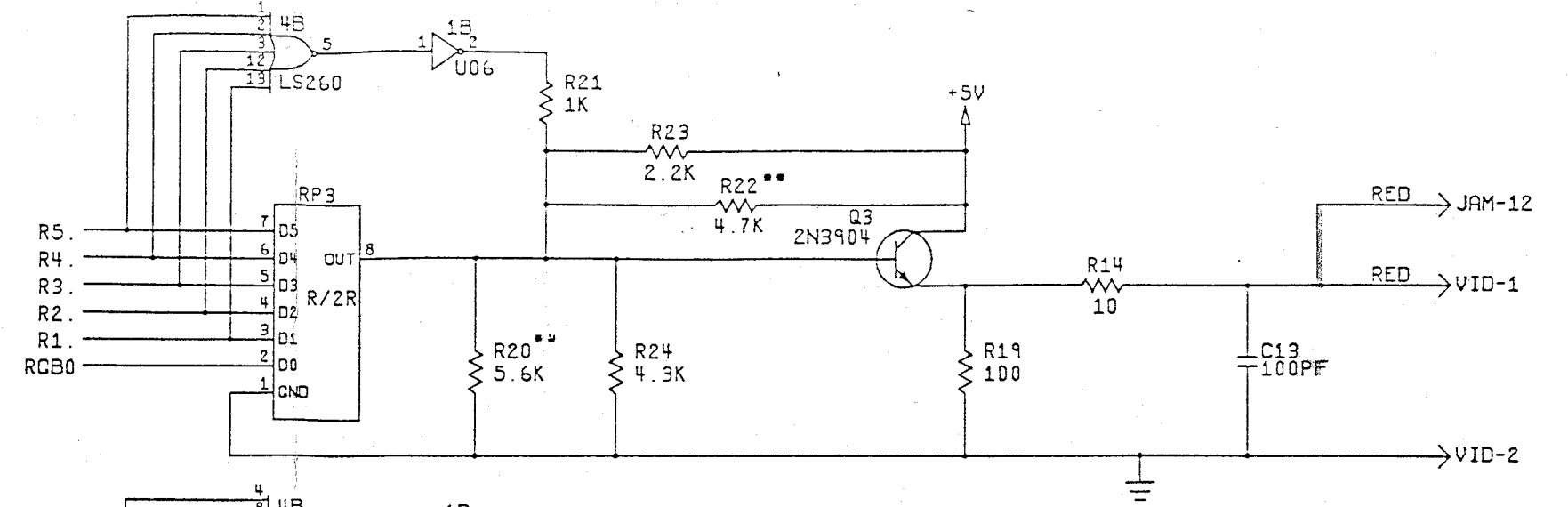


ATARI		
ATARI GAMES CORP 675 SYCAMORE DRIVE MILPITAS, CA 95035		
TITLE		
SCHEMATIC THUNDER JAWS		
SIZE	DRAWING NO.	REV
D	047363-01	C
SCALE	NONE	SHEET 8 OF 10

VOUT



•• NOT STUFFED

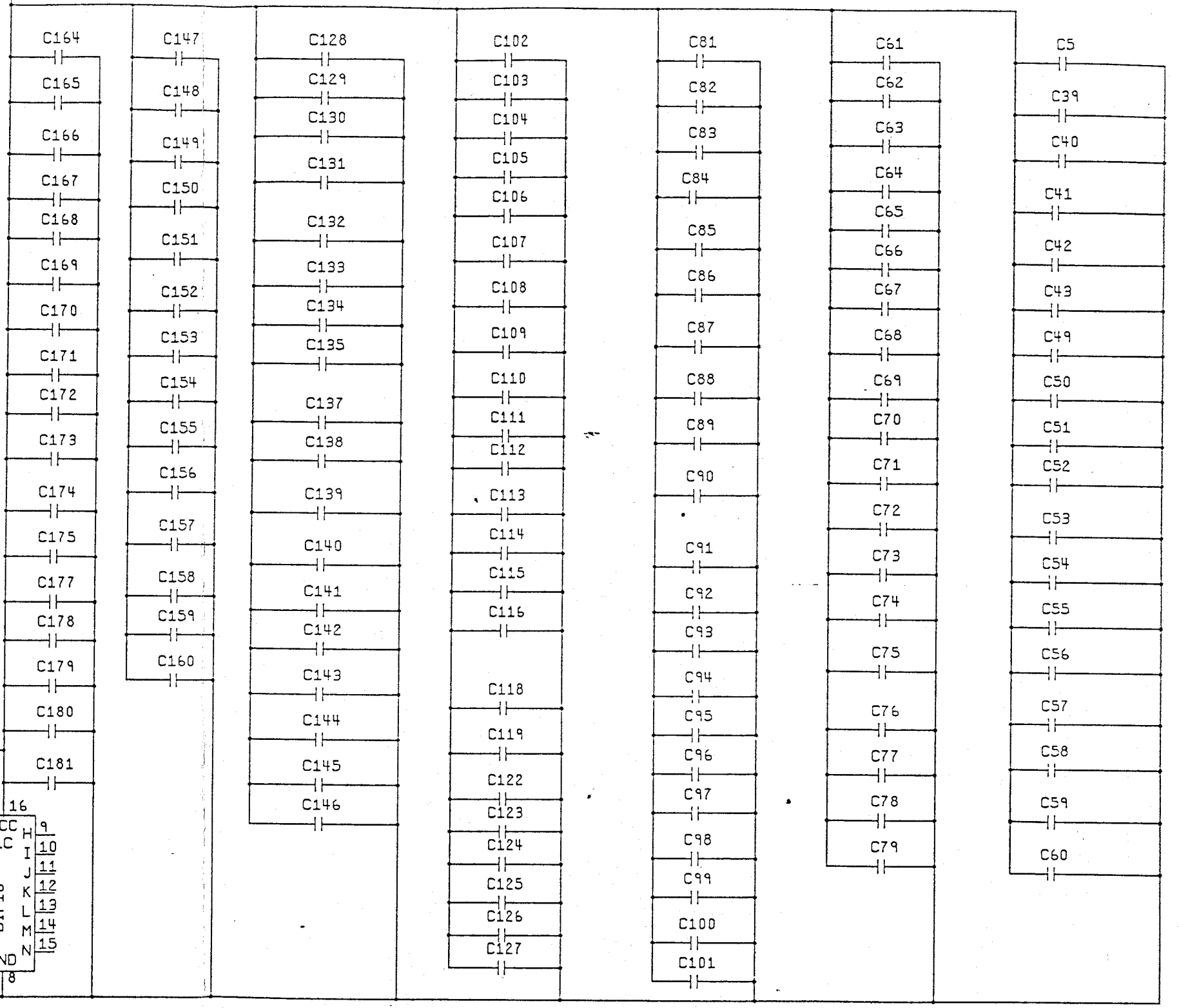
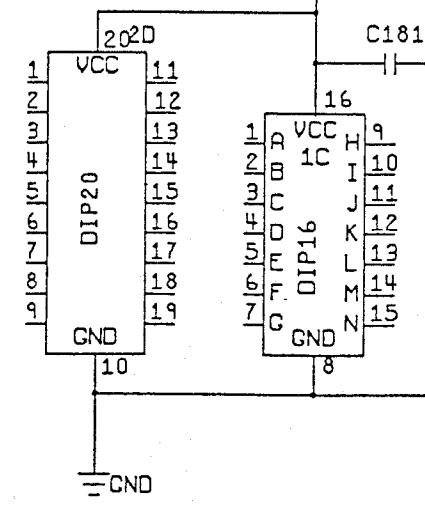
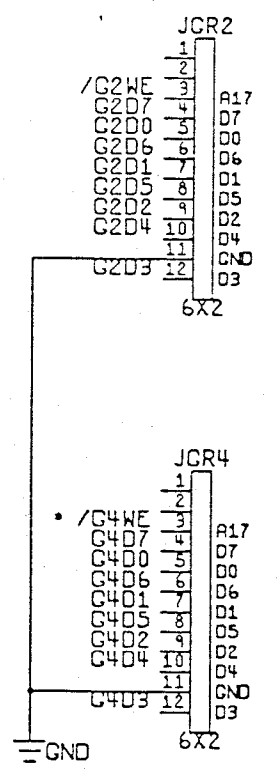
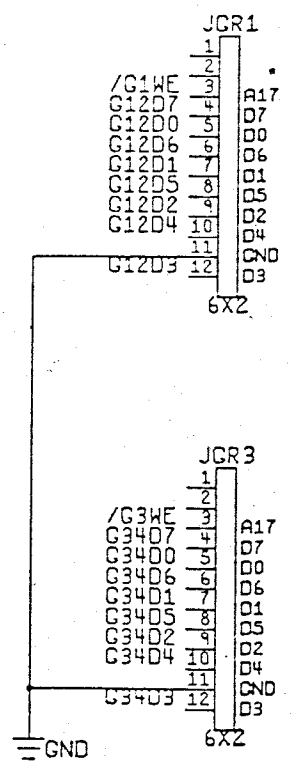
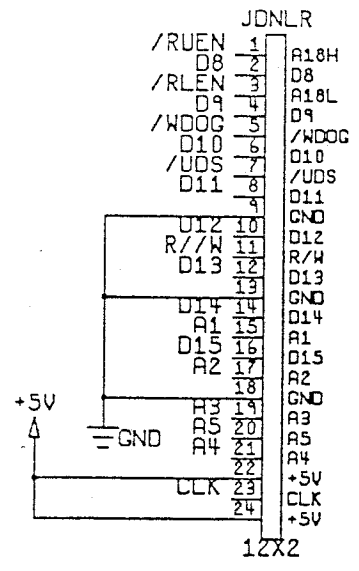


RGB

ATARI			ATARI GAMES CORP. 675 SOMMER DRIVE MILPITAS, CA. 95035
TITLE			
SCHEMATIC			
THUNDER JAWS			
SIZE	DRAWING NO.	REV	
D	047363-01	C	
SCALE	NONE	SHEET 9	OF 10

.1UF BYPASS CAPS

GA14	JCRIP	GA14
GA13	3	GA13
GA12	5	GA12
GA9	7	GA9
GA4	9	GA4
CA3	11	CA3
CA2	13	CA2
GA1	15	GA1
GA0	17	GA0
GP4V	19	GP4V
GP2V	21	GP2V
GP1V	23	GP1V
GND	25	GND
GA11	27	GA11
GA10	29	GA10
CA5	31	CA5
CA6	33	CA6
CA8	35	CA8
CA7	37	CA7
/SHLOE	39	/SHLOE
PF//MO	41	PF//MO
+5V	43	+5V
	44	+5V
	22X2	



ATARI

ATARI GAMES CORP.
675 STEWART DRIVE
MILPITAS, CA 95035

TITLE

SCHMATIC
THUNDER JAWS

SIZE	DRAWING NO	REV
D	047363-01	C
SCALE	NONE	SHEET 10 OF 10