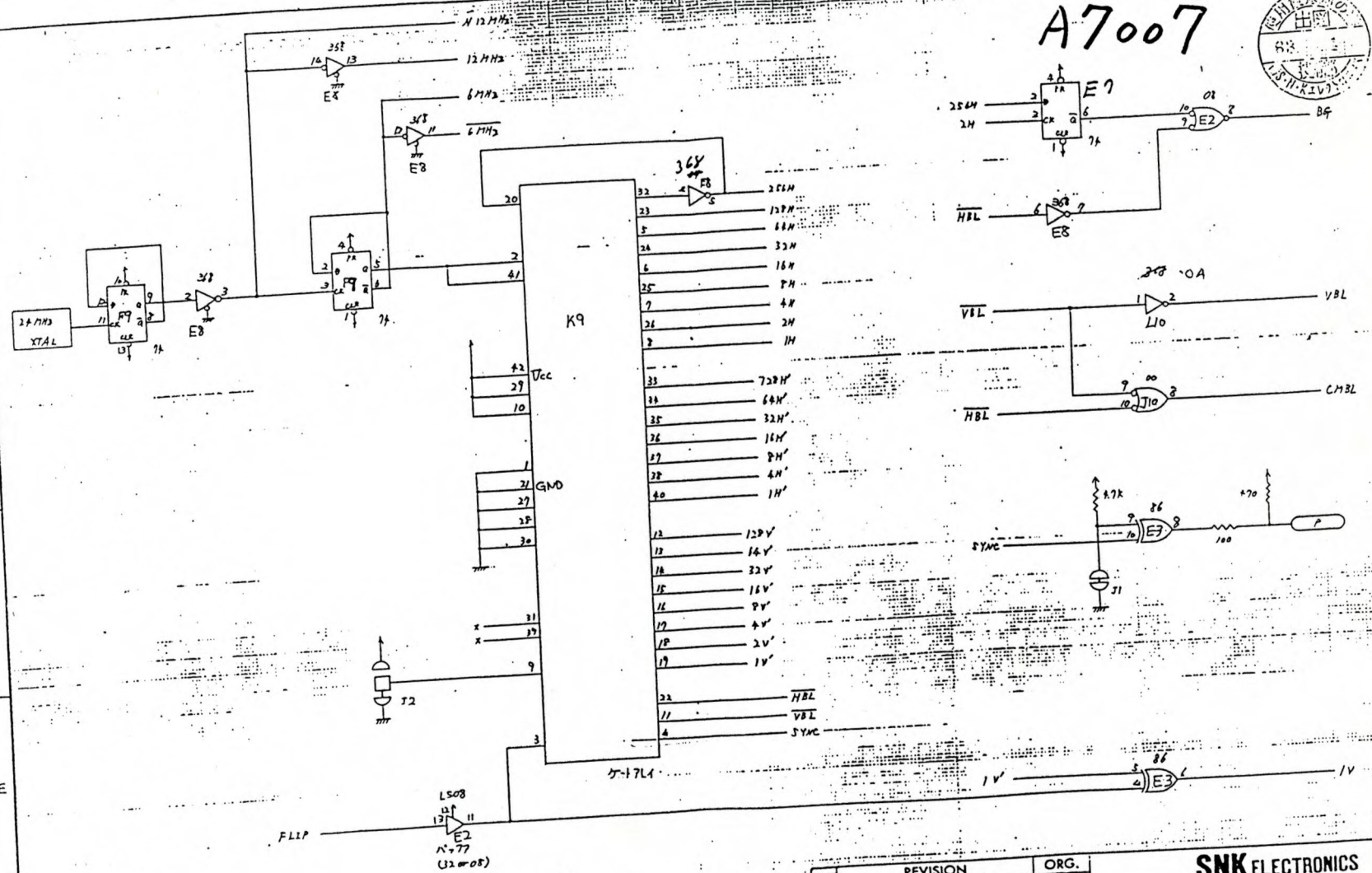
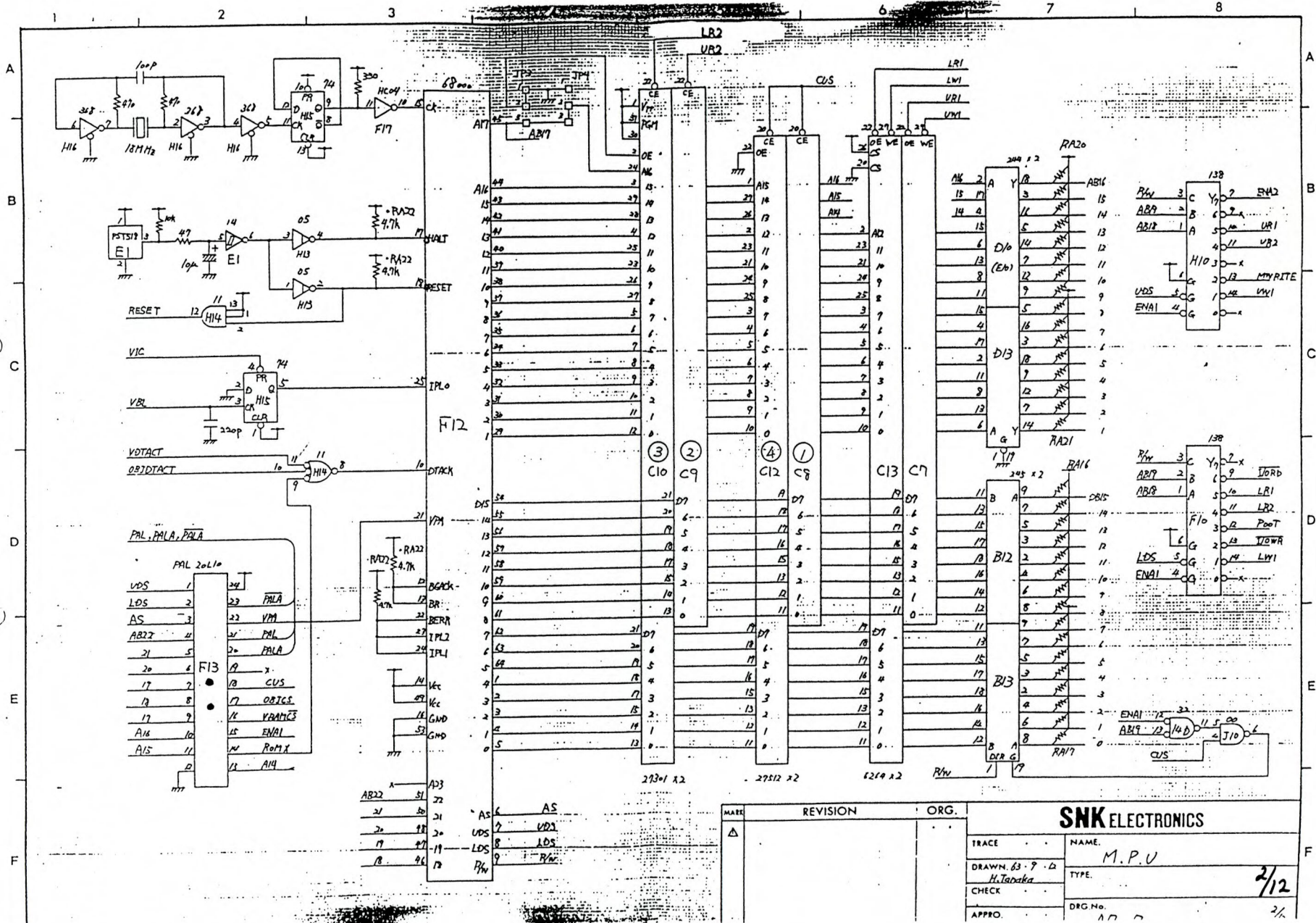


A  
B  
C  
D  
E  
F

A7007



MARK	REVISION	ORG.	SNK ELECTRONICS	
Δ	1K III		TRACE	NAME: CLOCK
			DRAWN: 63.8.31	TYPE:
			CHECK: Y.F. LAM	1/12
				DRG. No.



PAL 20L10

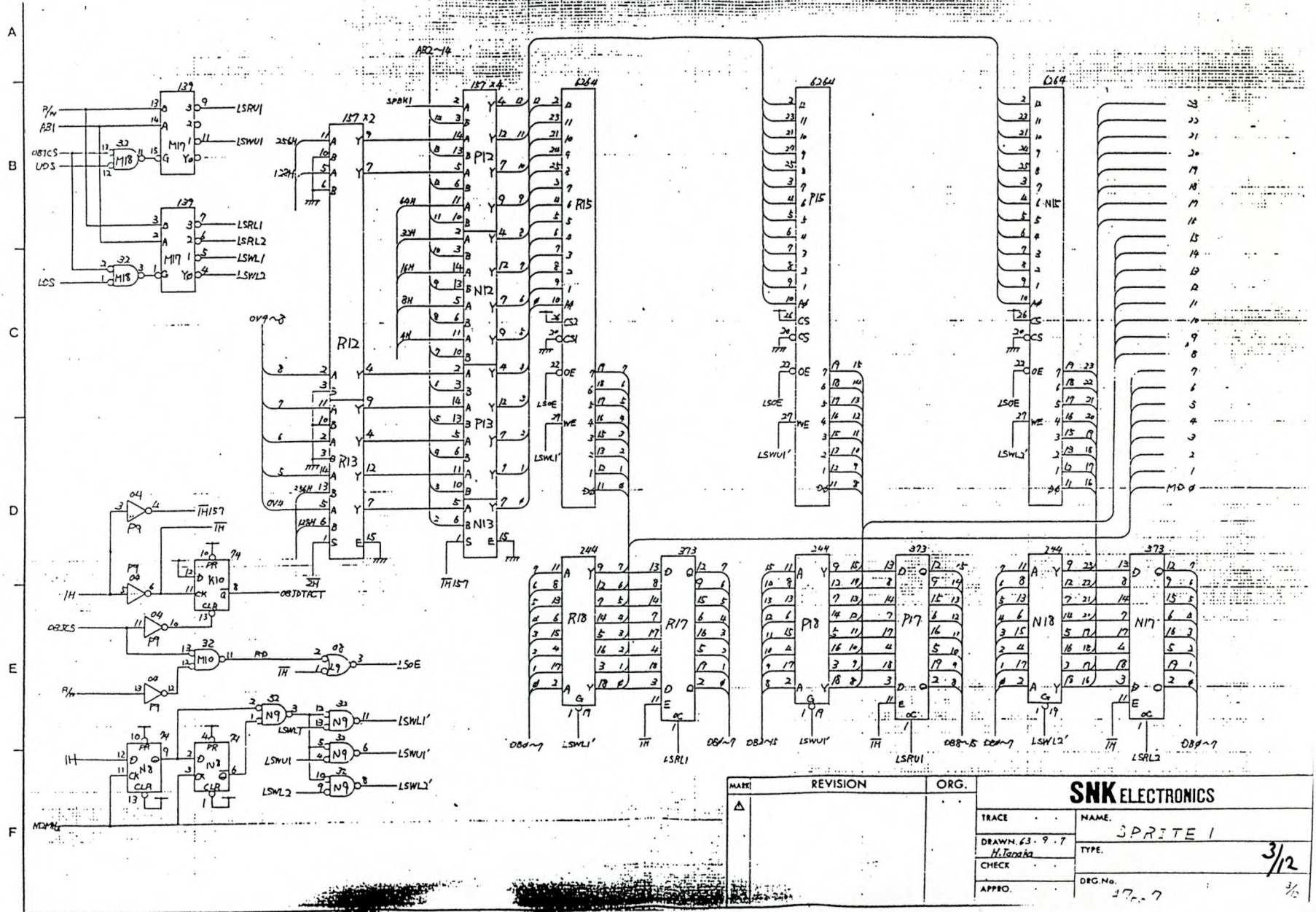
VDS	1	24	
LDS	2	22	PALA
AS	3	22	VH1
AB22	4	21	PAL
21	5	20	PALA
20	6	19	x
17	7	18	CUS
19	8	17	ORIGES
17	9	16	VARATCS
A16	10	15	ENAI
A15	11	14	ROMX
	12	13	AH4

RA22

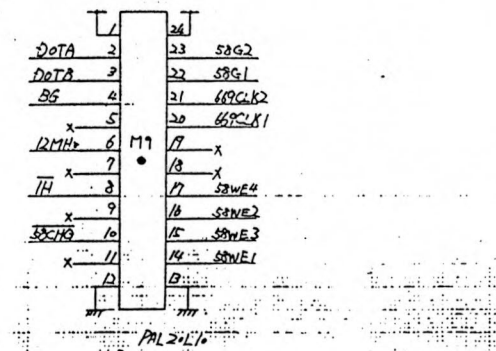
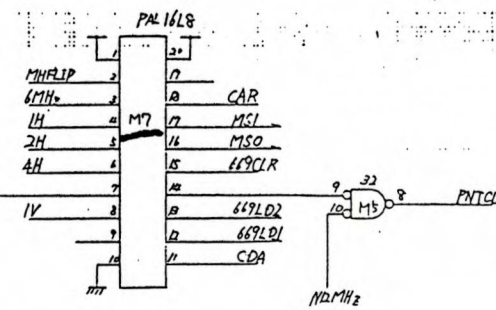
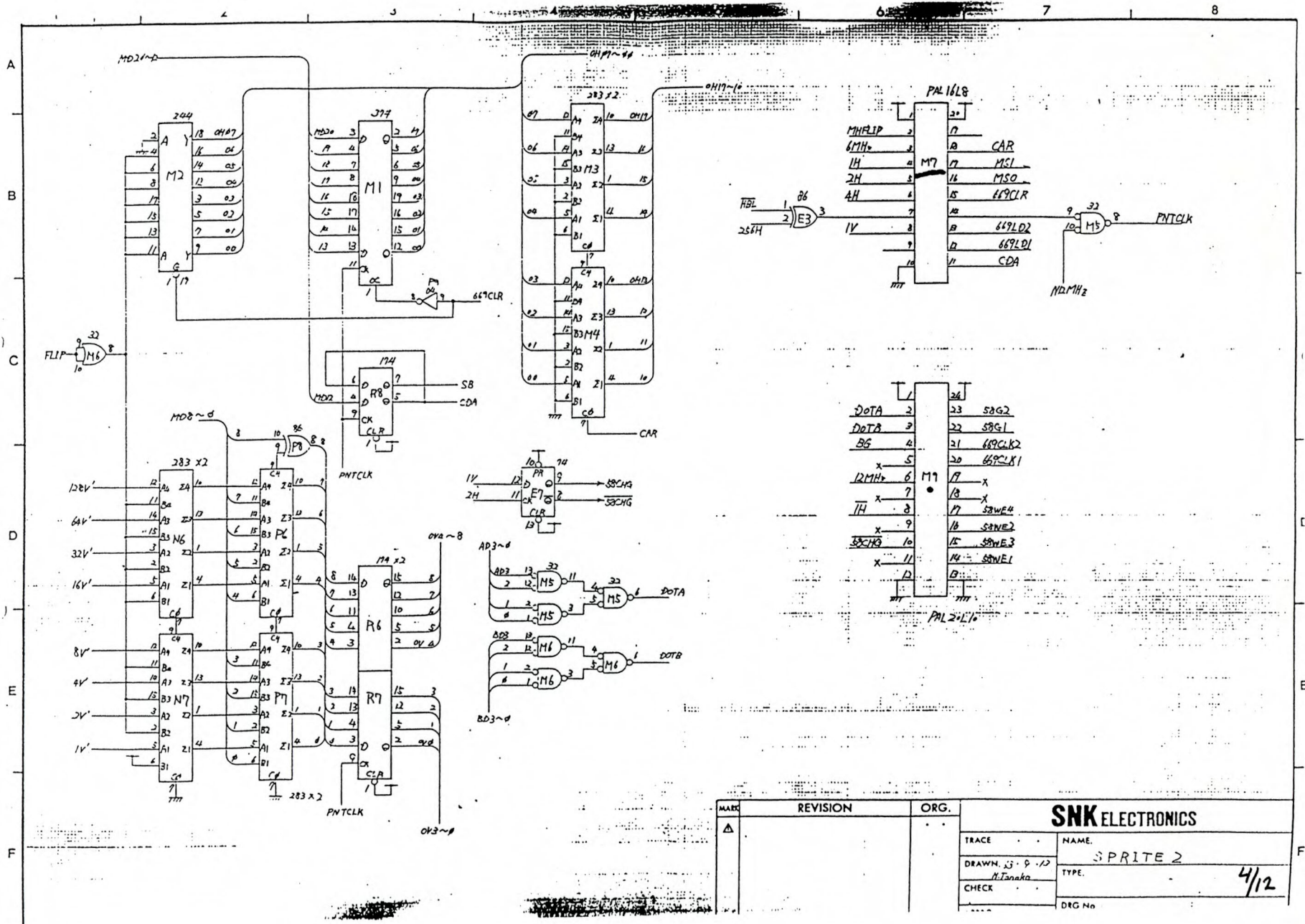
AD3	51	21	AS
	21	20	VDS
	20	19	LDS
	19	18	PAL
	18	17	RA22

AS	6	AS
VDS	7	VDS
LDS	8	LDS
PAL	9	PAL

MARK	REVISION	ORG.	<b>SNK ELECTRONICS</b> TRACE NAME: M.P.U DRAWN: 63.7.2 H. Tanaka CHECK APPRO.	TYPE: 2/12 DRG No. 100

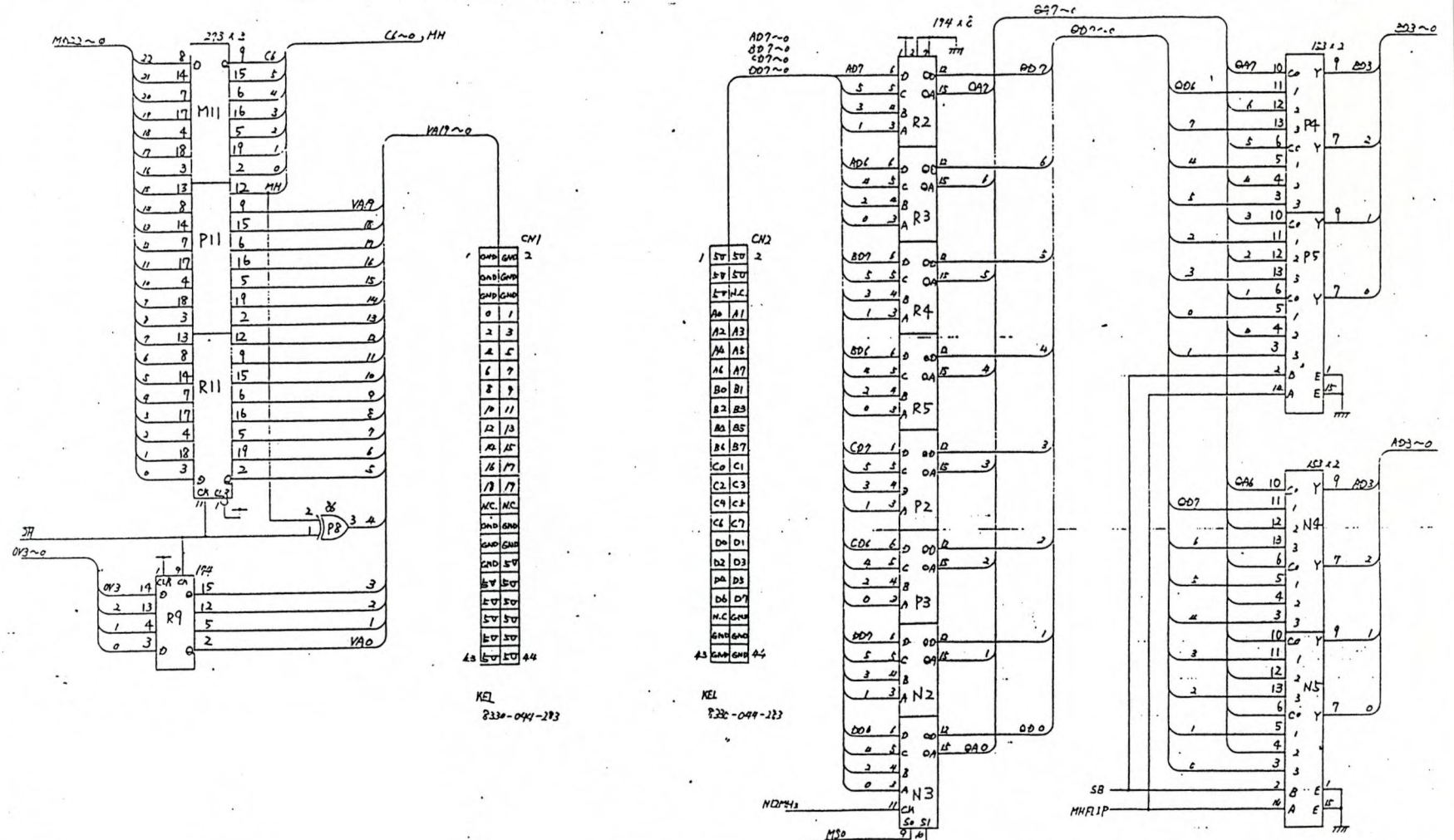


MARK	REVISION	ORG.	SNK ELECTRONICS	
			TRACE	NAME
			DRAWN 63.9.7	SPRITE 1
			CHECK	TYPE
			APPRO.	3/12
				ORG.No. 17.7

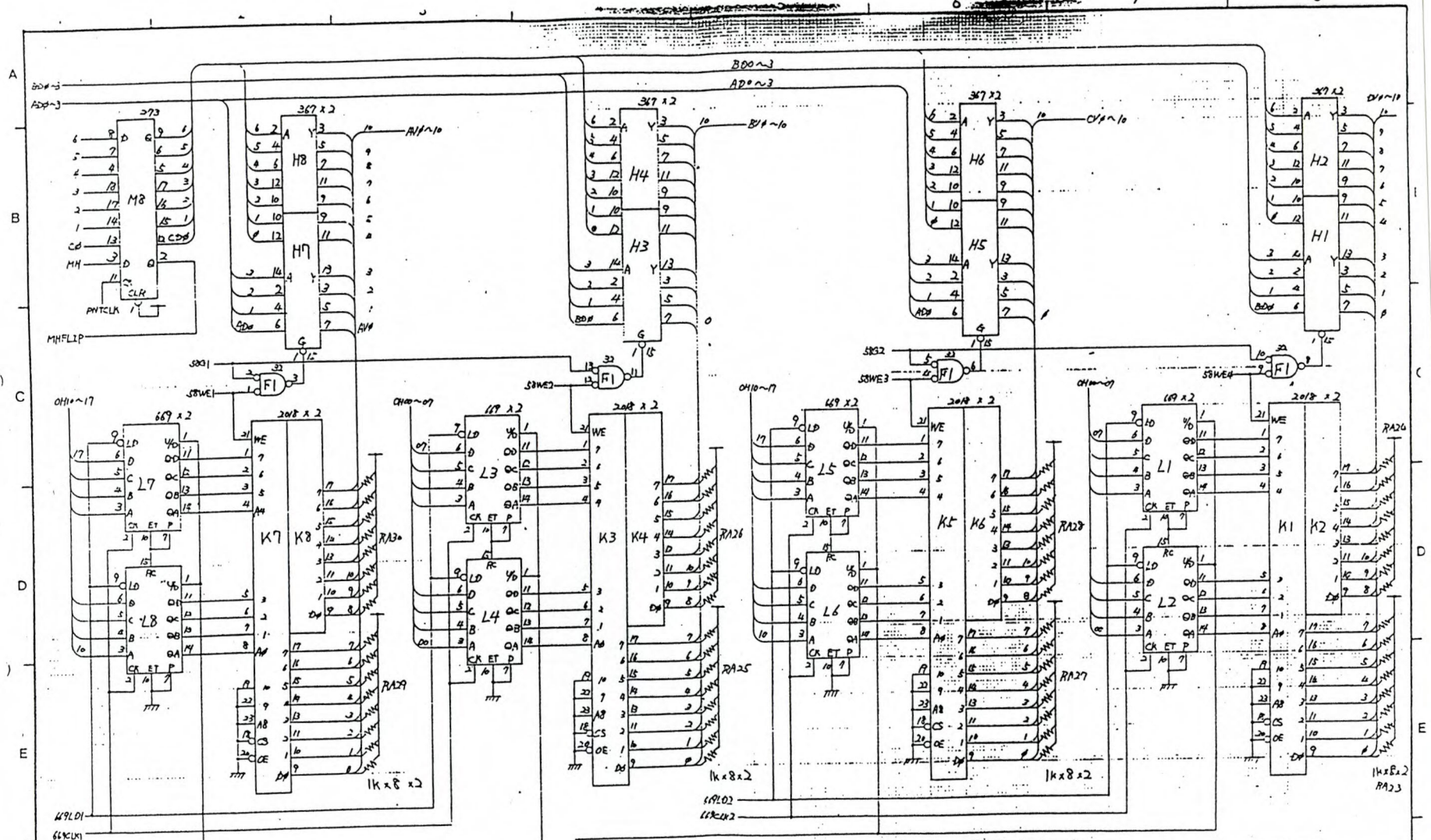


MARK	REVISION	ORG.	SNK ELECTRONICS	
Δ			TRACE	NAME
			DRAWN: 5.9.12	SPRITE 2
			CHECK	TYPE
				4/12
			DRG No	

A  
B  
C  
D  
E  
F

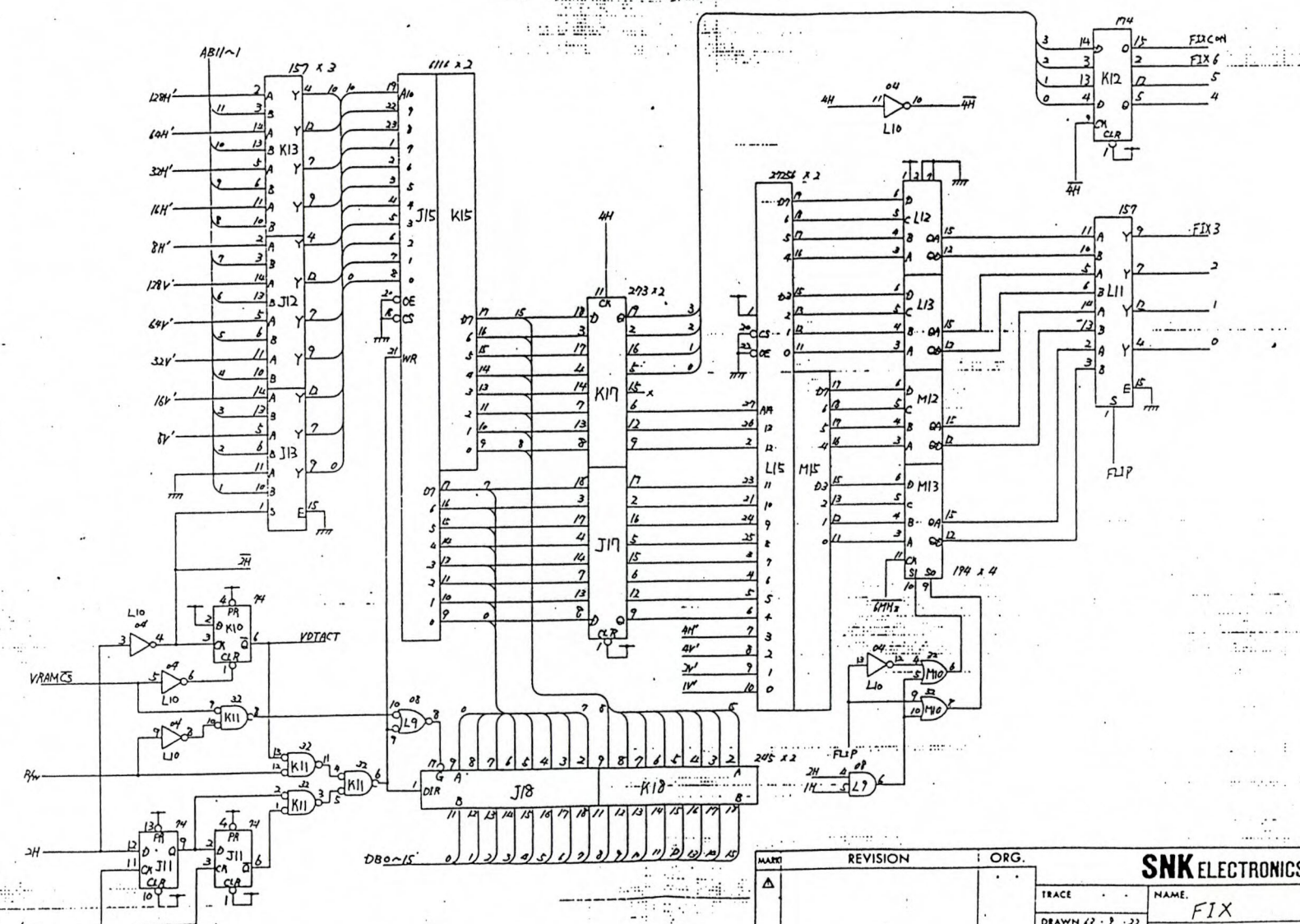


MARK	REVISION	ORG.	SNK ELECTRONICS	
Δ			TRACE	NAME
			DRAWN 12.9.22	SPRITE 3
			CHECK H.T.naka	TYPE
			APPRO.	DRG. No. A7007
				5/12

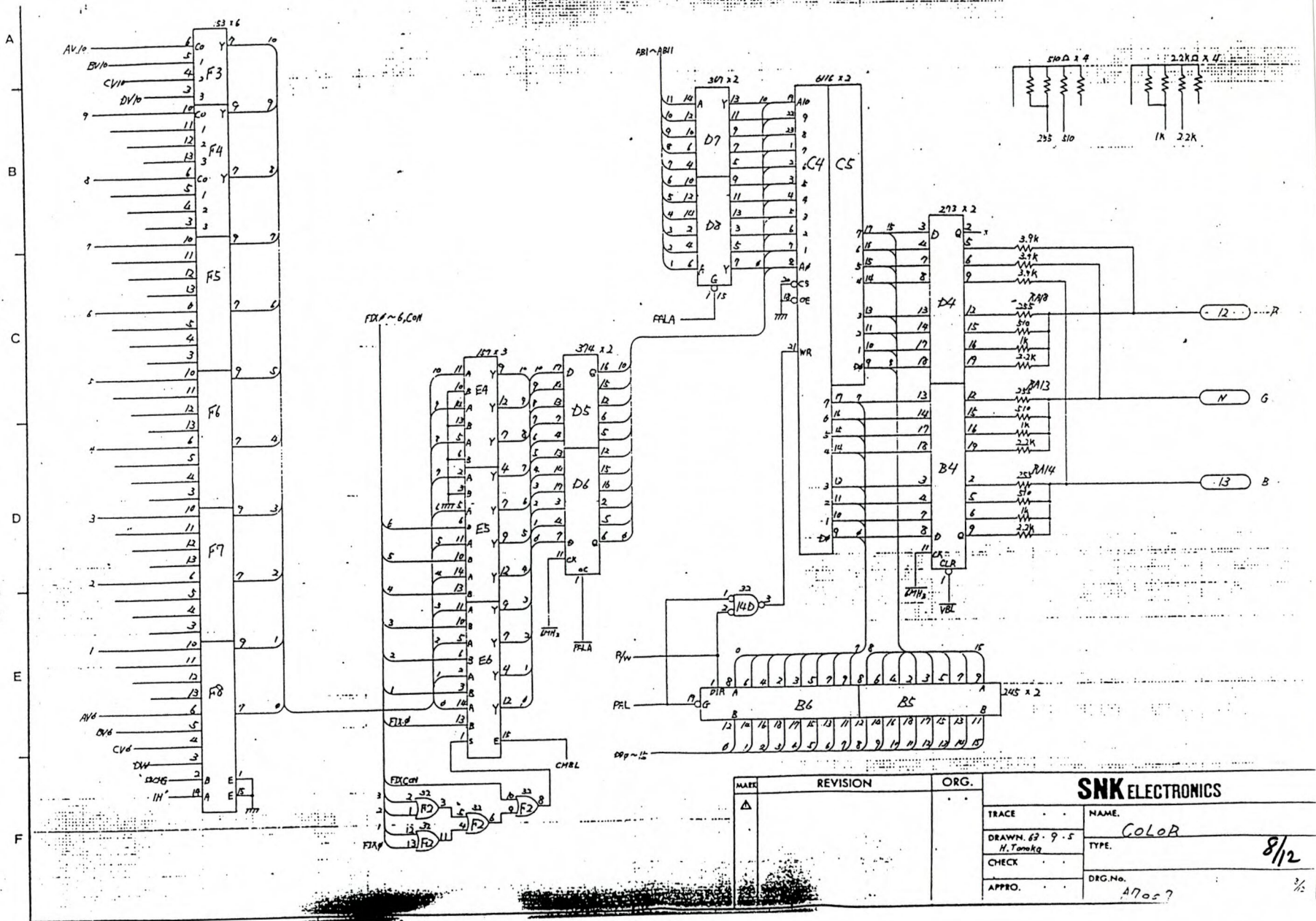


MARK	REVISION	ORG.	SNK ELECTRONICS	
Δ			TRACE	NAME
			DRAWN. 43.9.7	SPRITE 4
			CHECK	TYPE
				6/12
			APPRO.	DRG.No.
				07

A  
 B  
 C  
 D  
 E  
 F



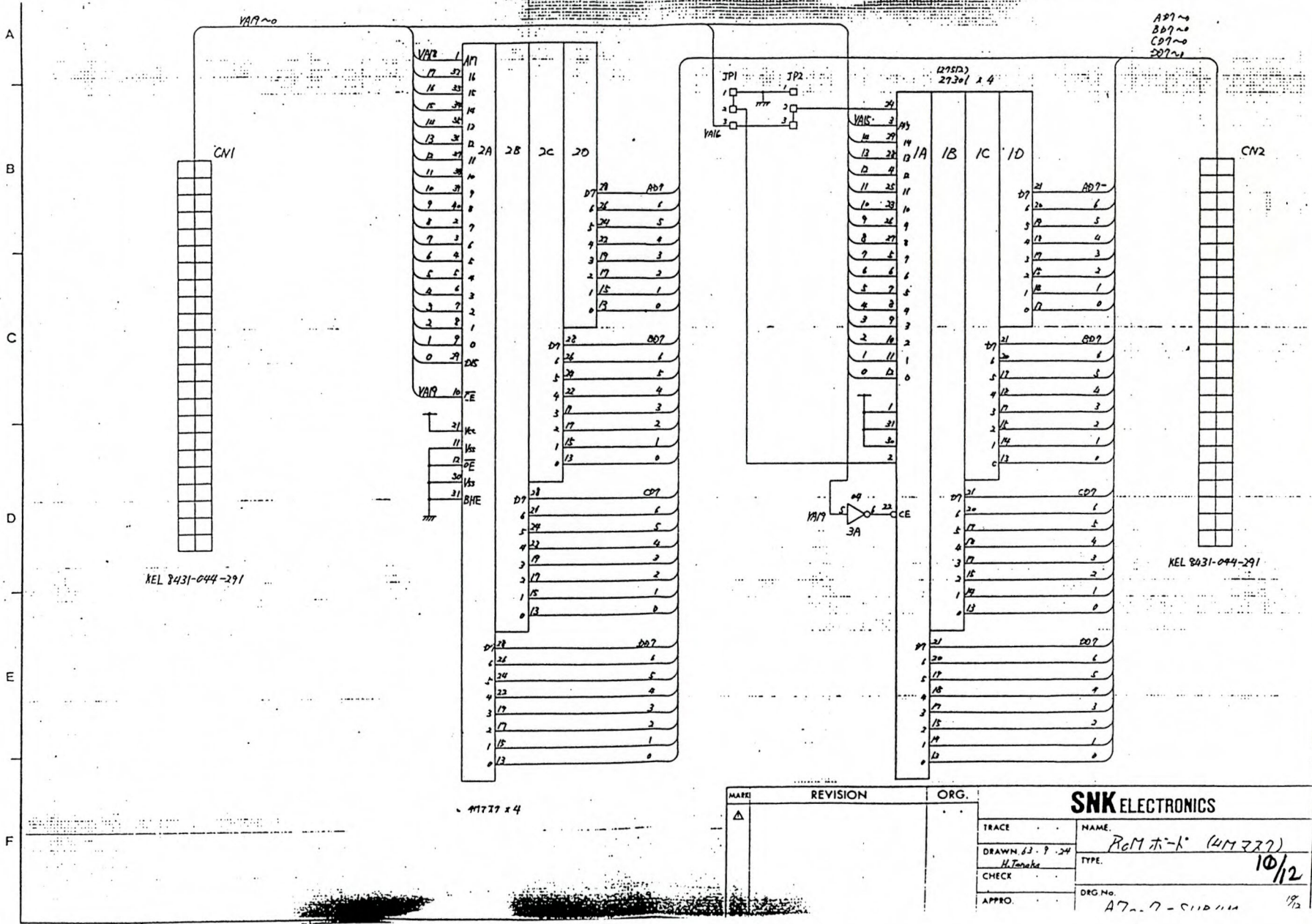
REVISION		ORG.	SNK ELECTRONICS	
NAME:			TRACE	NAME:
TYPE:			DRAWN 12.7.22	FIX
CHECK			H. Tanaka	TYPE:
				7/12
APPRO				DRG No.



REVISION		ORG.	SNK ELECTRONICS	
1			TRACE	NAME
2			DRAWN: 67-9-5	COLOR
3			H. Tomok	TYPE
4			CHECK	8/12
5			APPRO.	DRG. No.
				A7057





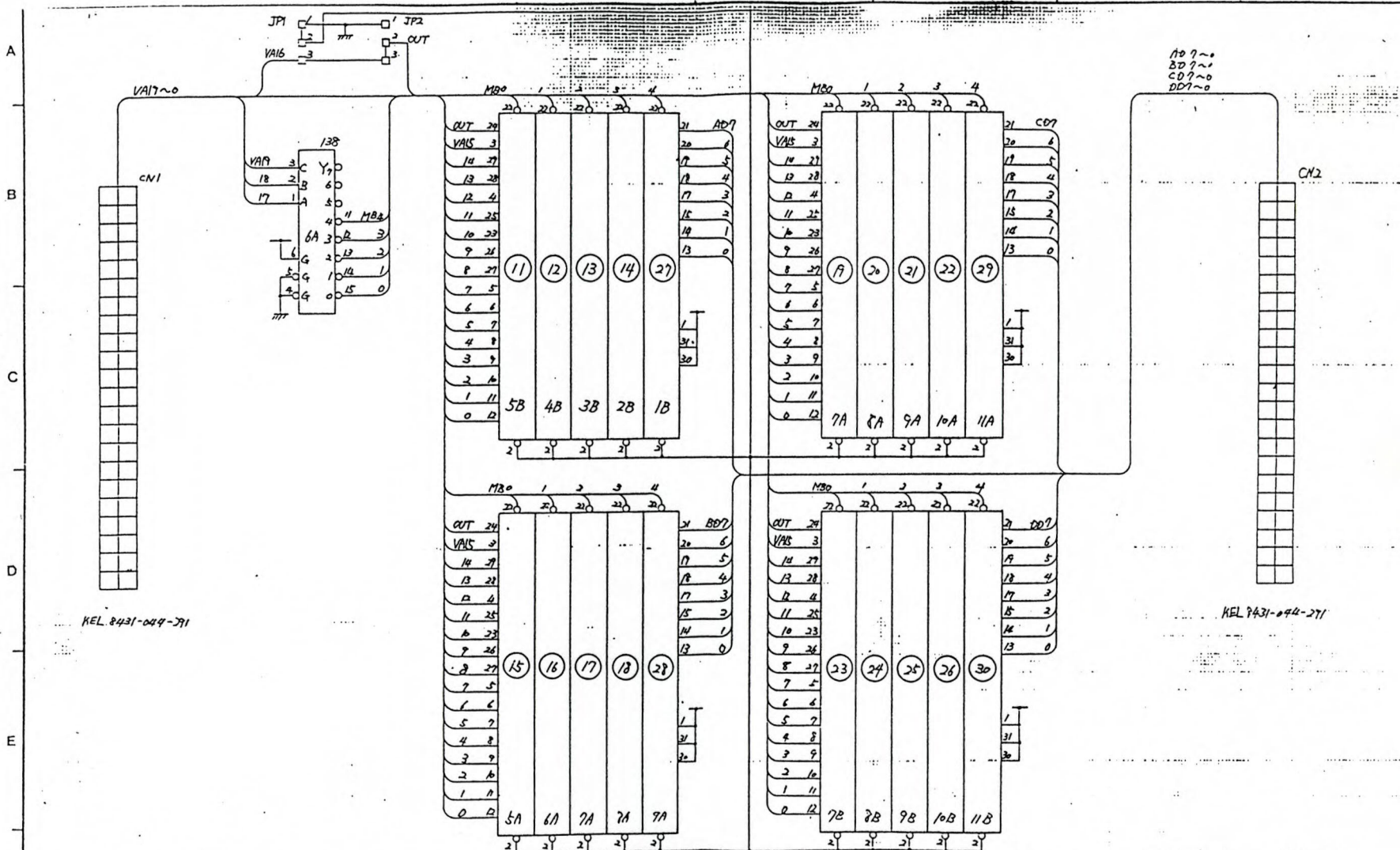


KEL 8431-044-291

KEL 8431-044-291

M772 x 4

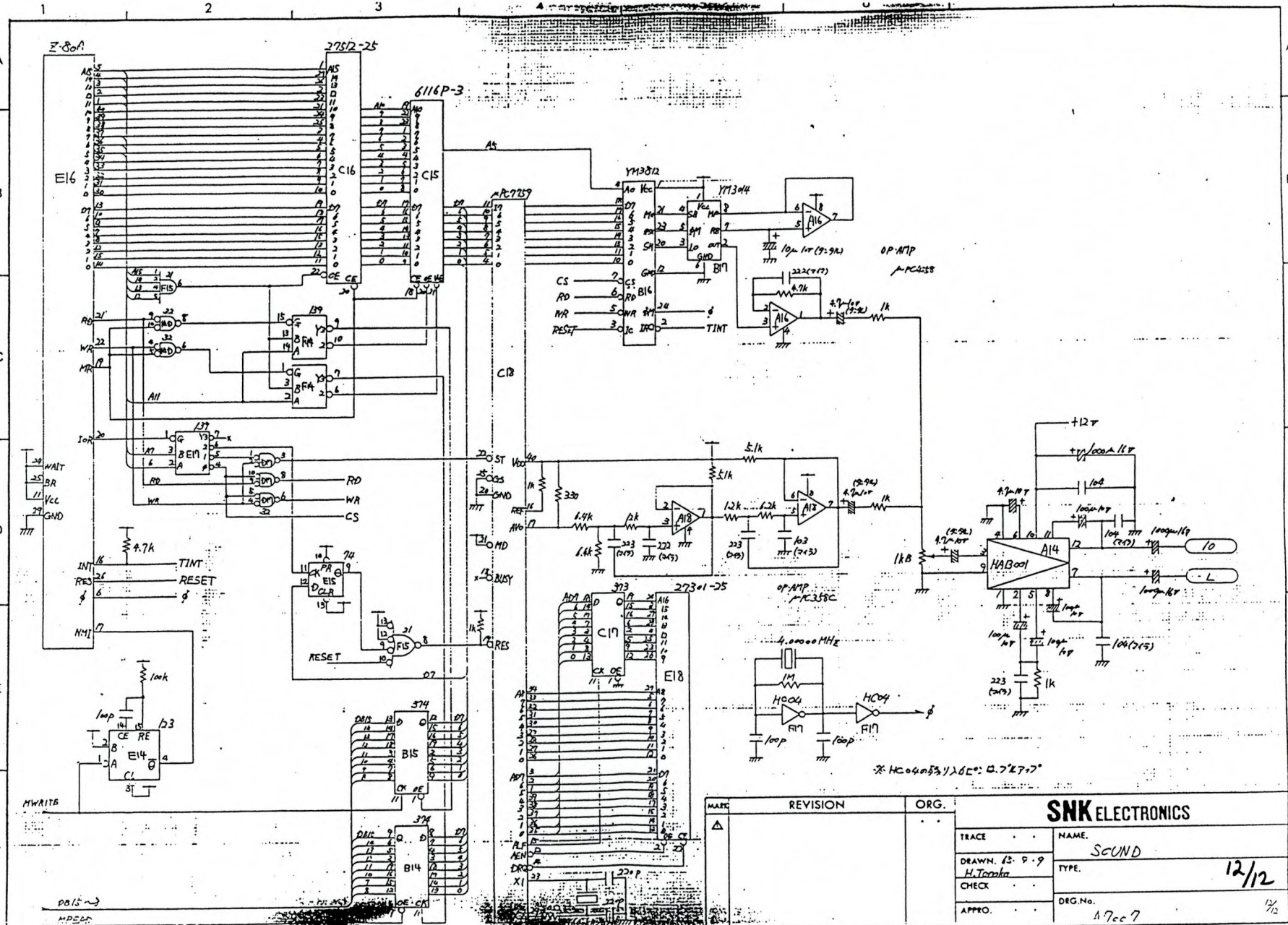
MARK	REVISION	ORG.	SNK ELECTRONICS	
△			TRACE	NAME
			DRAWN 83.9.24	ROMホ-ト (4M772)
			CHECK H.Tanaka	TYPE
				10/12
			APPRO.	DRG. No.
				A7-7-SUB 114 1/2



KEL 8431-044-271

KEL 8431-044-271

MARK	REVISION	ORG.	SNK ELECTRONICS	
Δ			TRACE	NAME
			DRAWN 13.9.22	RoM.t-k / MEDPRGM
			CHECK	TYPE
				11/12
			APPRO	DRG No.
				A707-01011



REVISION		ORG.	SNK ELECTRONICS	
TRACE			NAME.	SOUND
DRAWN. 12-9-9			TYPE.	12/12
CHECK			DEG.No.	1/2
APPRO.				A7cc7