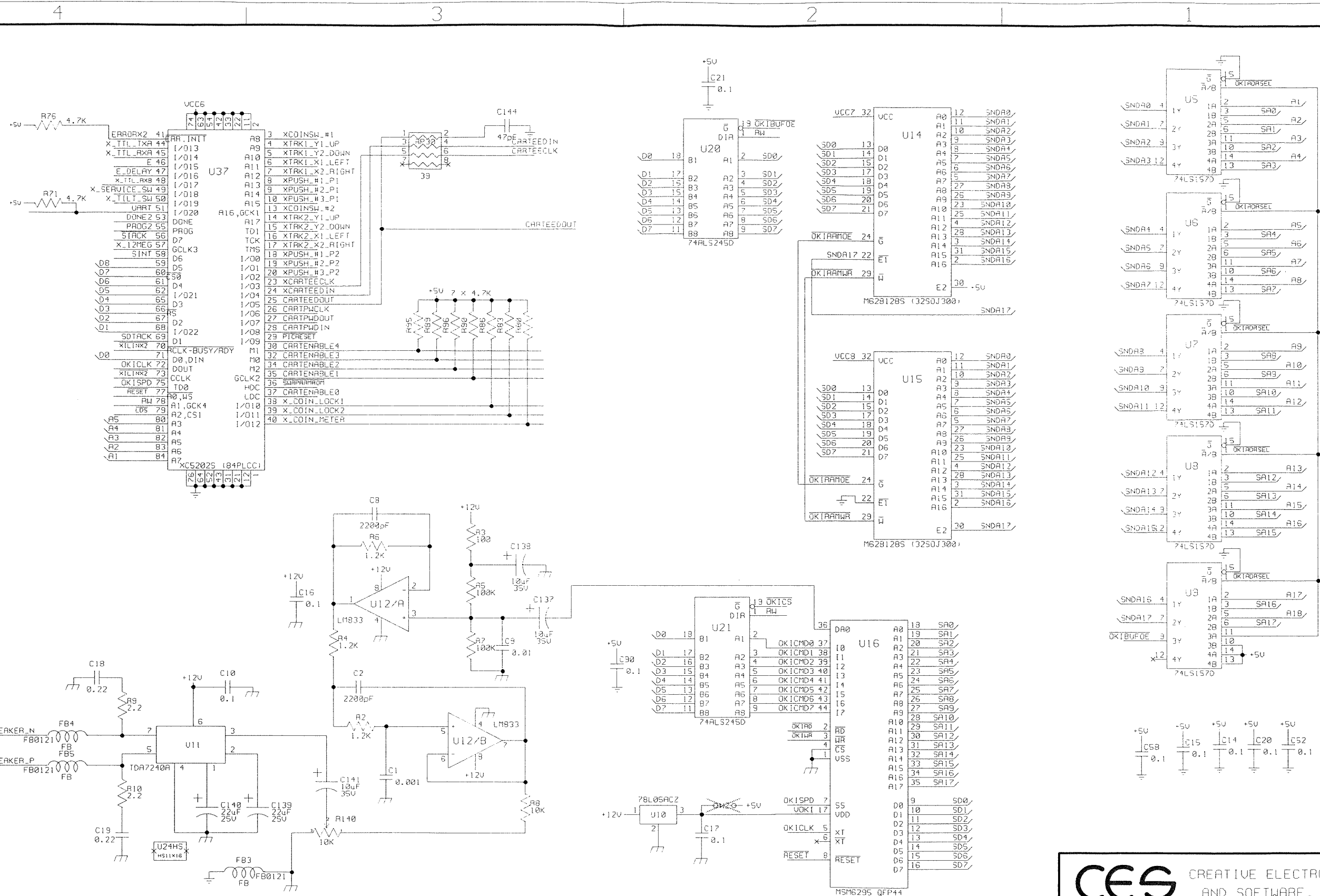


CES CREATIVE ELECTRONICS
AND SOFTWARE, INC.

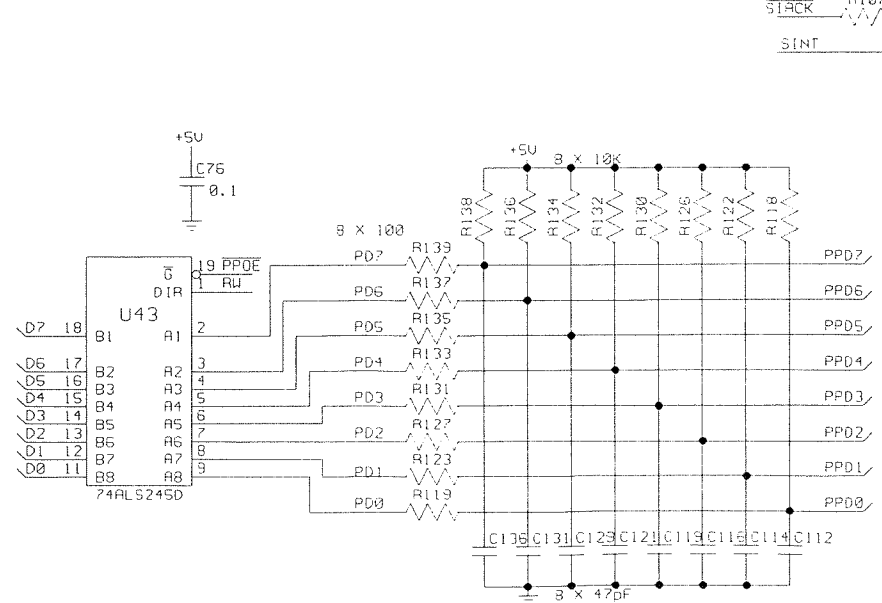
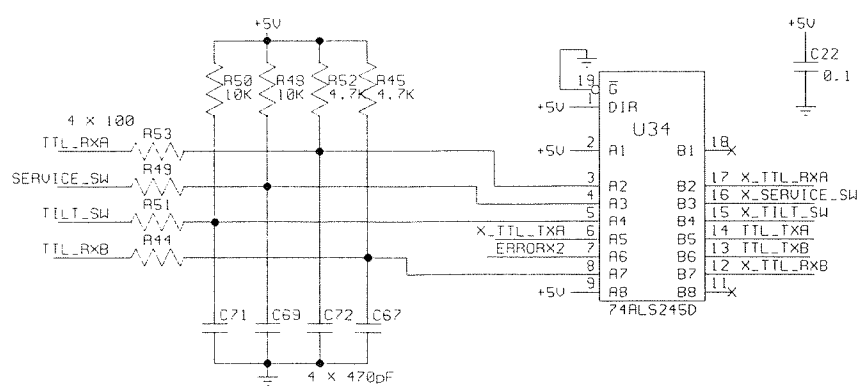
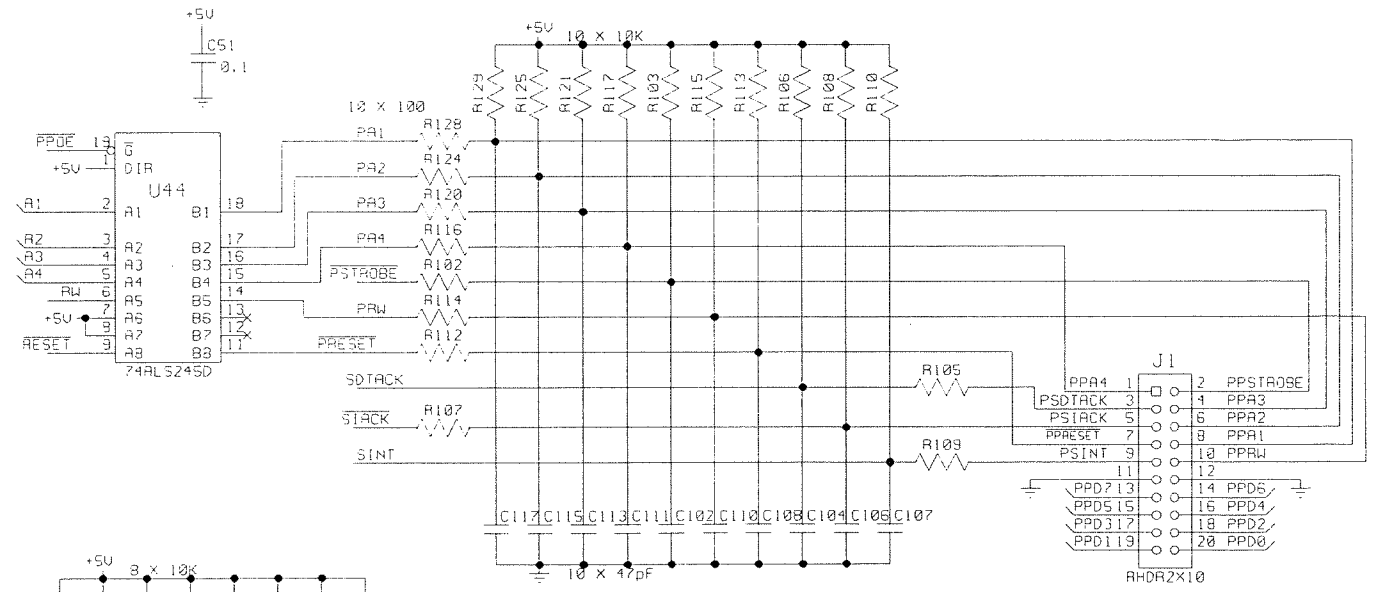
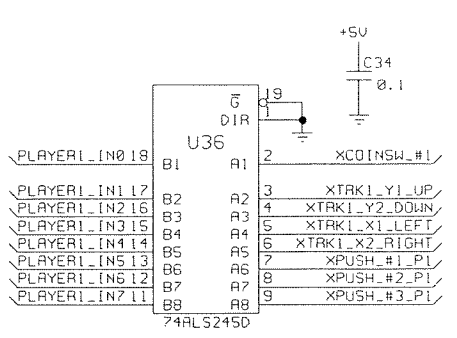
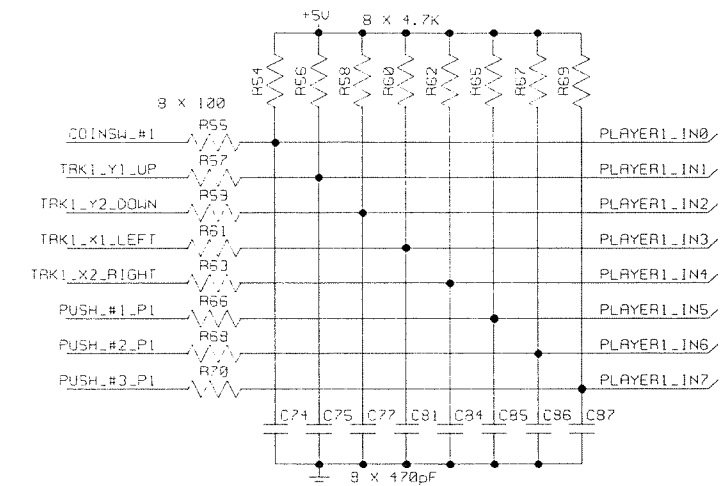
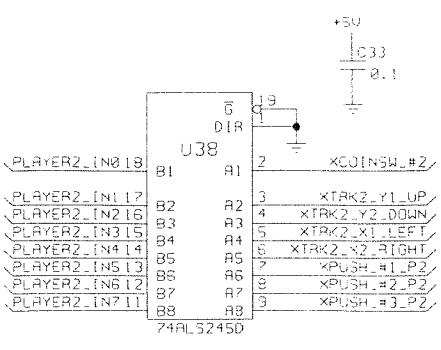
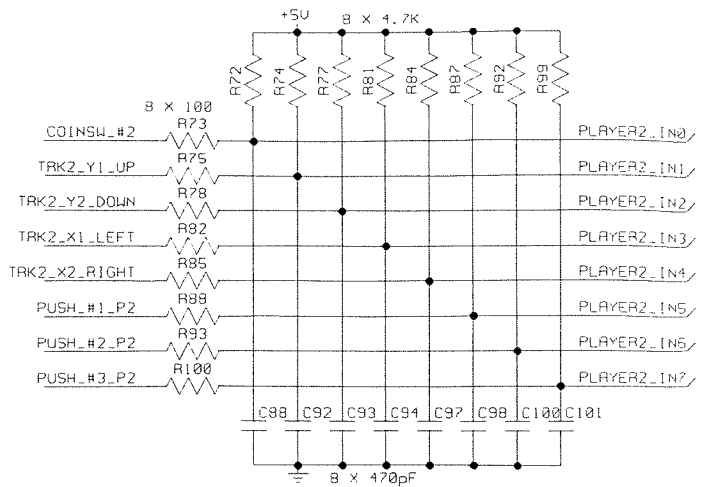
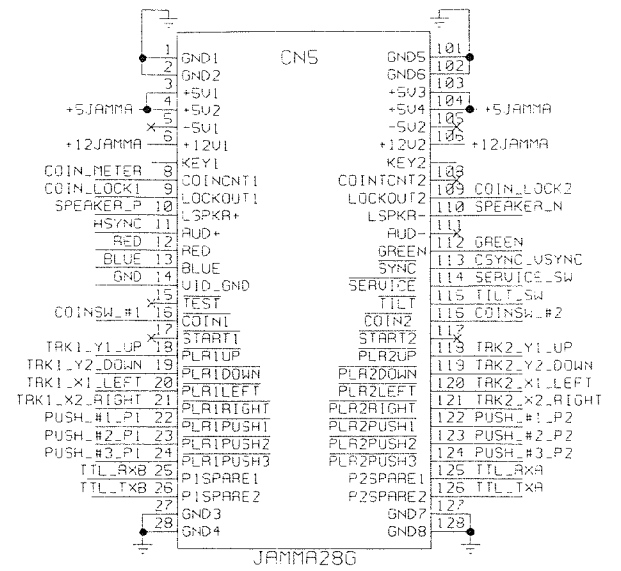
BOARD NAME: COCKTAIL VIDEO BOARD

DATE: 11/5/97	PART NUMBER: 237-02111-01	DATE: 11/5/97	PREPARED BY: C.E.S. INC.
SHEET: 5 OF 5		FILENAME: 02111D01.SCH	
SIZE	APPRAISED BY:	SCH	



CES CREATIVE ELECTRONICS AND SOFTWARE, INC.

BOARD NAME:			
COCKTAIL VIDEO BOARD			
DATE:	PART NUMBER:	DATE:	PREPARED BY:
D	237-0211-01	11/5/97	C.E.S. INC.
SHEET OF:		FILENAME:	APPROVED BY:
25		0211001.SCH	
SIZE:			REV:
5126			

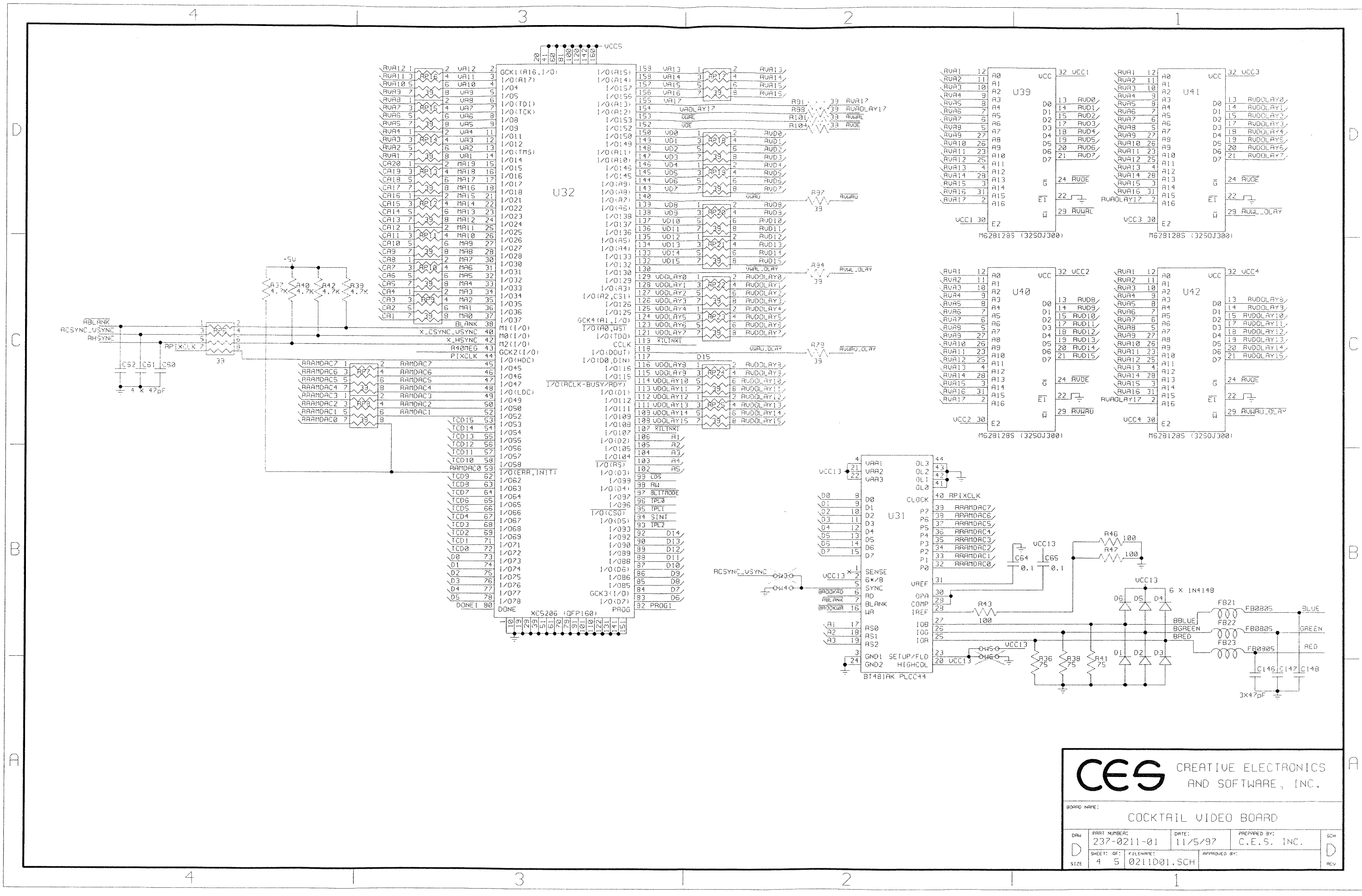


CES CREATIVE ELECTRONICS AND SOFTWARE, INC.

BOARD NAME: **COCKTAIL VIDEO BOARD**

DRW: **D** PART NUMBER: 237-0211-01 DATE: 11/5/97 PREPARED BY: C.E.S. INC. SCH: **D**

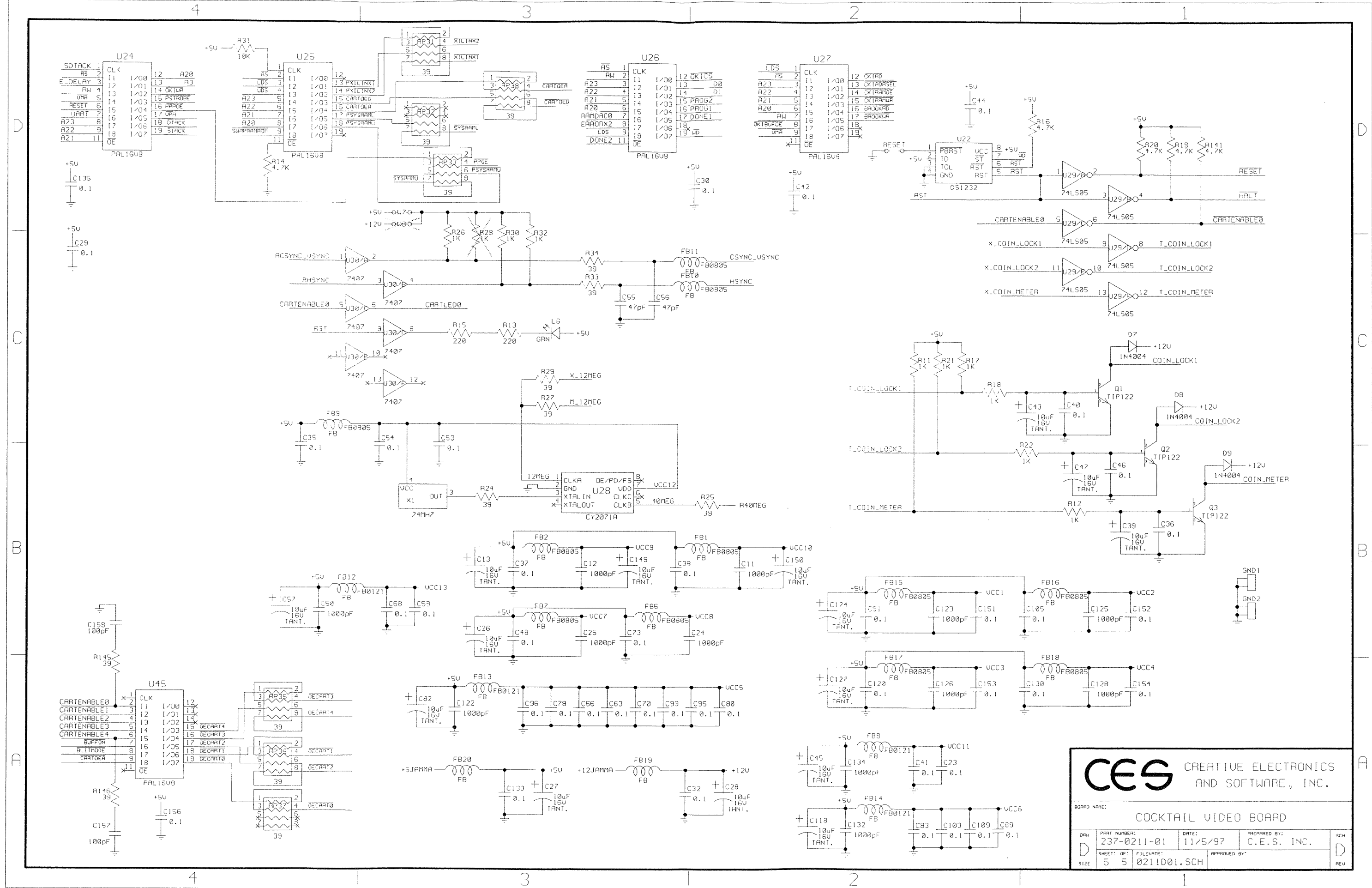
SHEET: 01 OF 3 FILENAME: 0211001.SCH APPROVED BY: **D** REV: **D**



CES CREATIVE ELECTRONICS
AND SOFTWARE, INC.

BOARD NAME: COCKTAIL VIDEO BOARD

DRAW: D	PART NUMBER: 237-0211-01	DATE: 11/5/97	PREPARED BY: C.E.S. INC.
SHEET: 01 OF: 05	FILENAME: 0211001.SCH	APPROVED BY:	SCH REV



CES CREATIVE ELECTRONICS AND SOFTWARE, INC.

BOARD NAME: **COCKTAIL VIDEO BOARD**

DRAW: D	PART NUMBER: 237-0211-01	DATE: 11/5/97	PREPARED BY: C.E.S. INC.
SHEET: 05	OF: 05	FILENAME: 550211D01.SCH	APPROVED BY:
SIZE:			REV: D