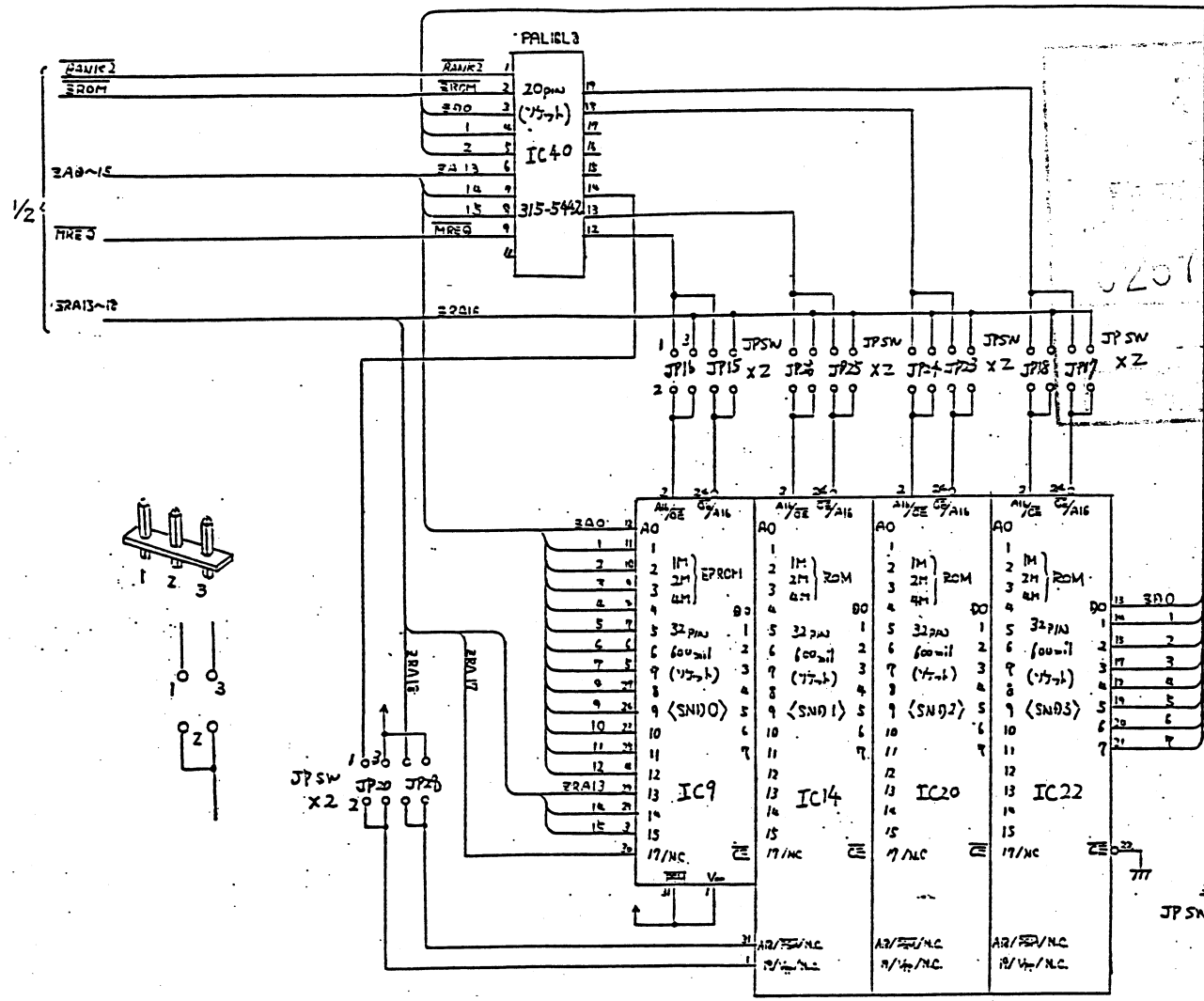
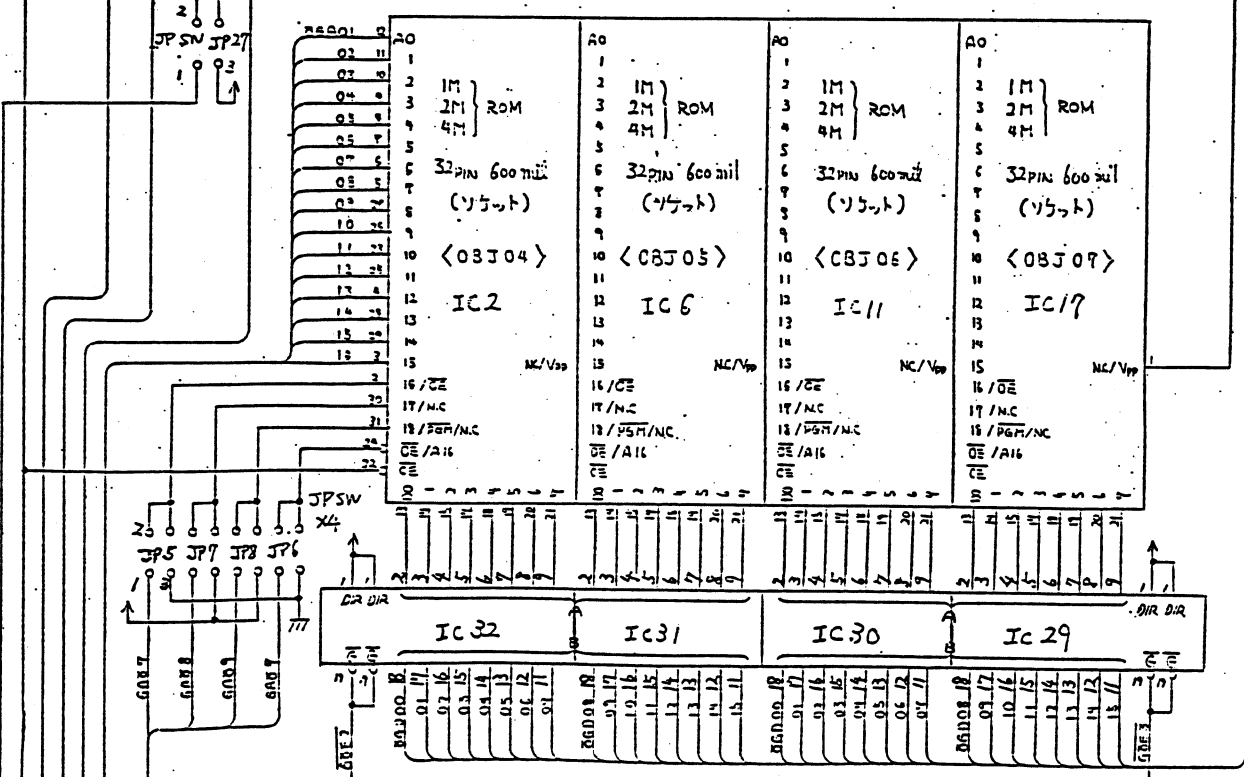
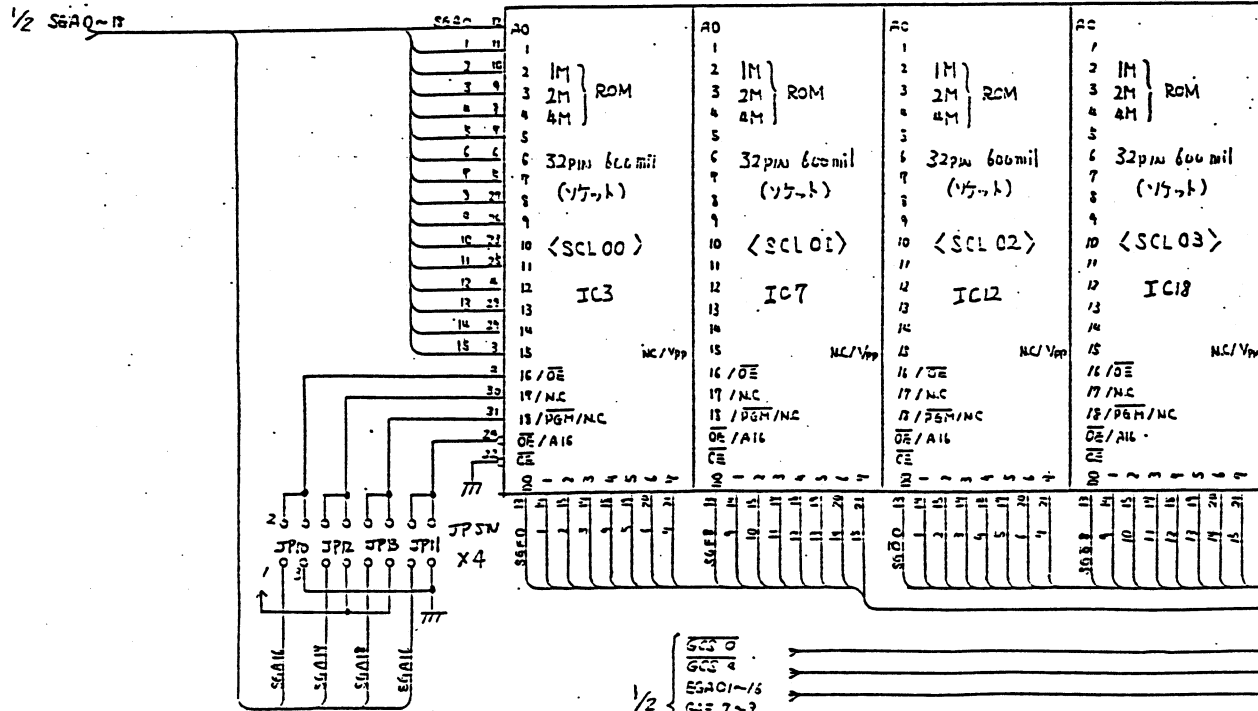
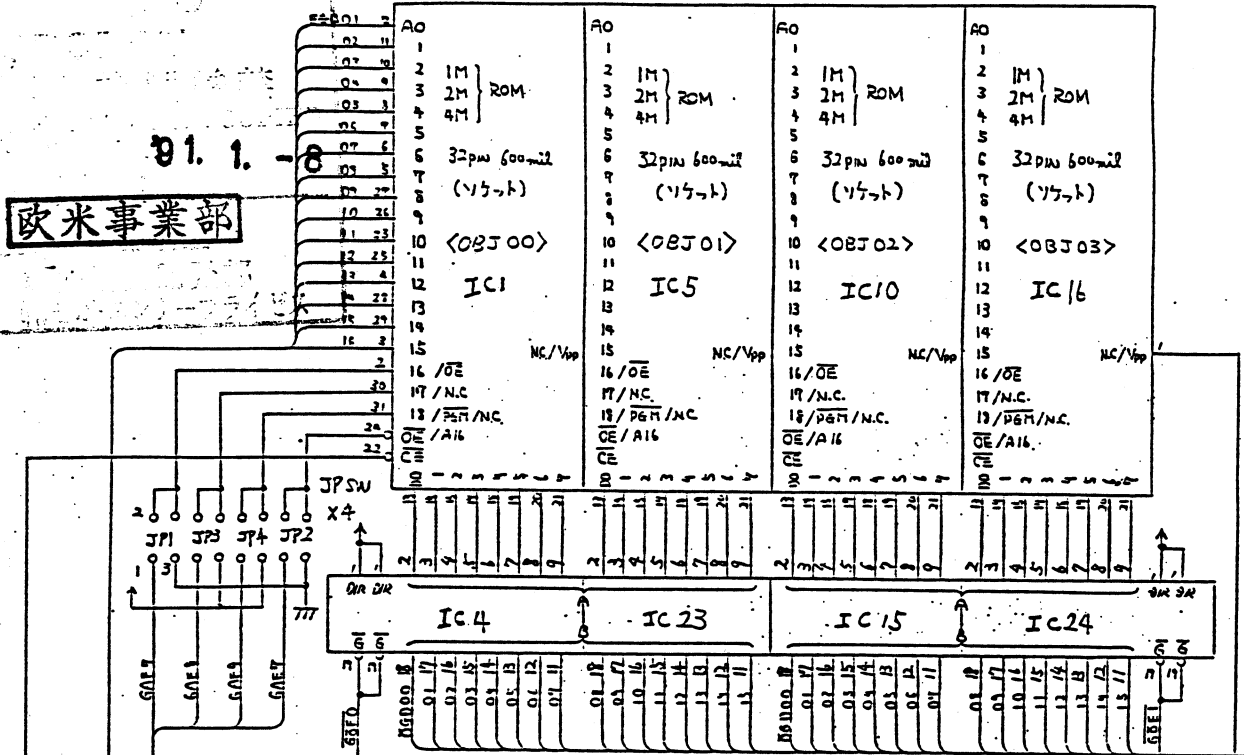




SG20-7  
SG20-8  
SG20-15  
SG20-15



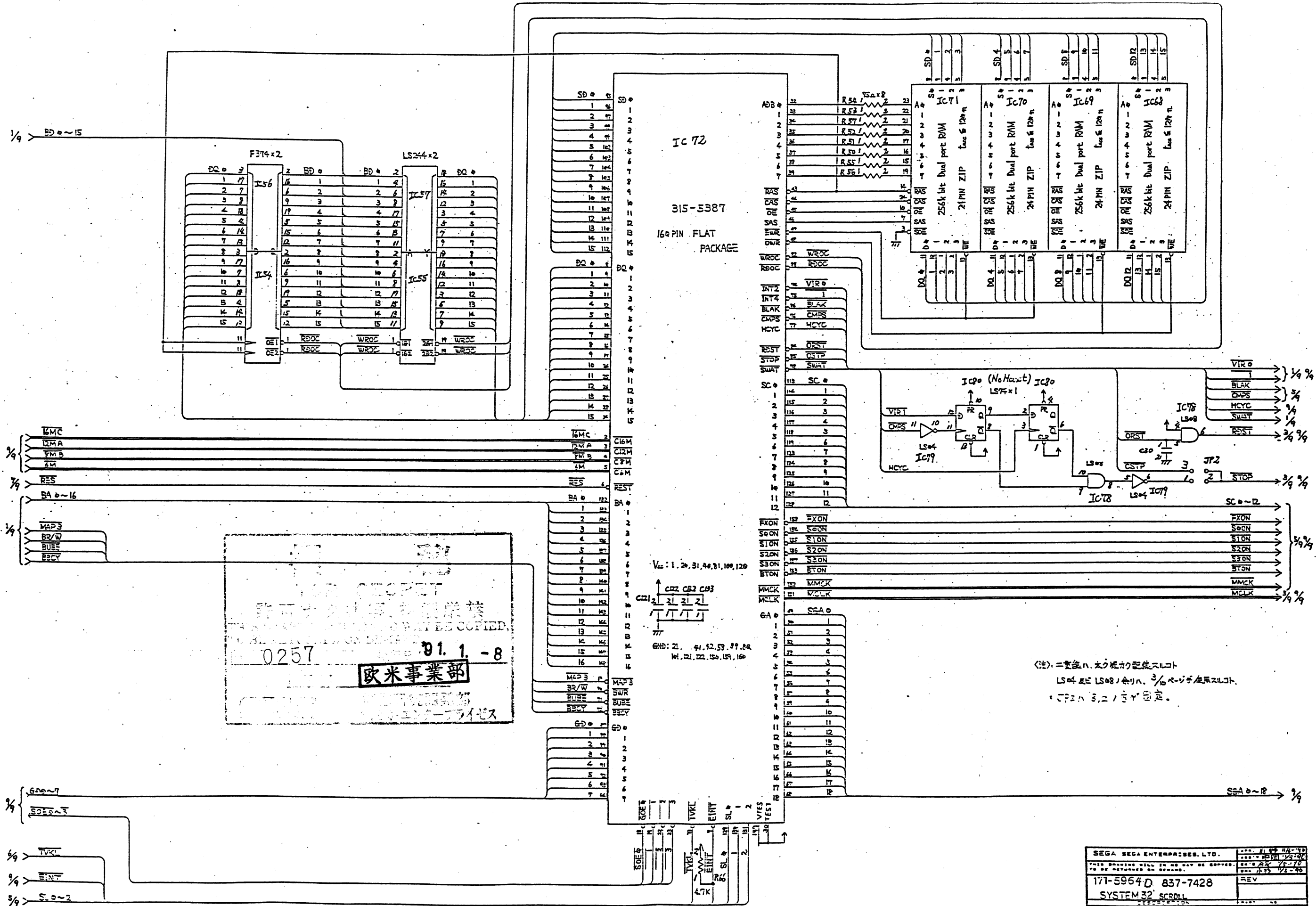
01. 1. - 8  
欧米事業部



SG20-7  
SG20-8  
SG20-15  
SG20-15  
SG20-15

SEGA SEGA ENTERPRISES, LTD.  
THIS DRAWING WILL BE THE PROPERTY OF SEGA. IT IS TO BE RETURNED TO SEGA.  
171-5965C 837-7429  
SYSTEM 32 ROM BOARD 2  
DATE 1983 / 7 / 12

SPIDERMAN

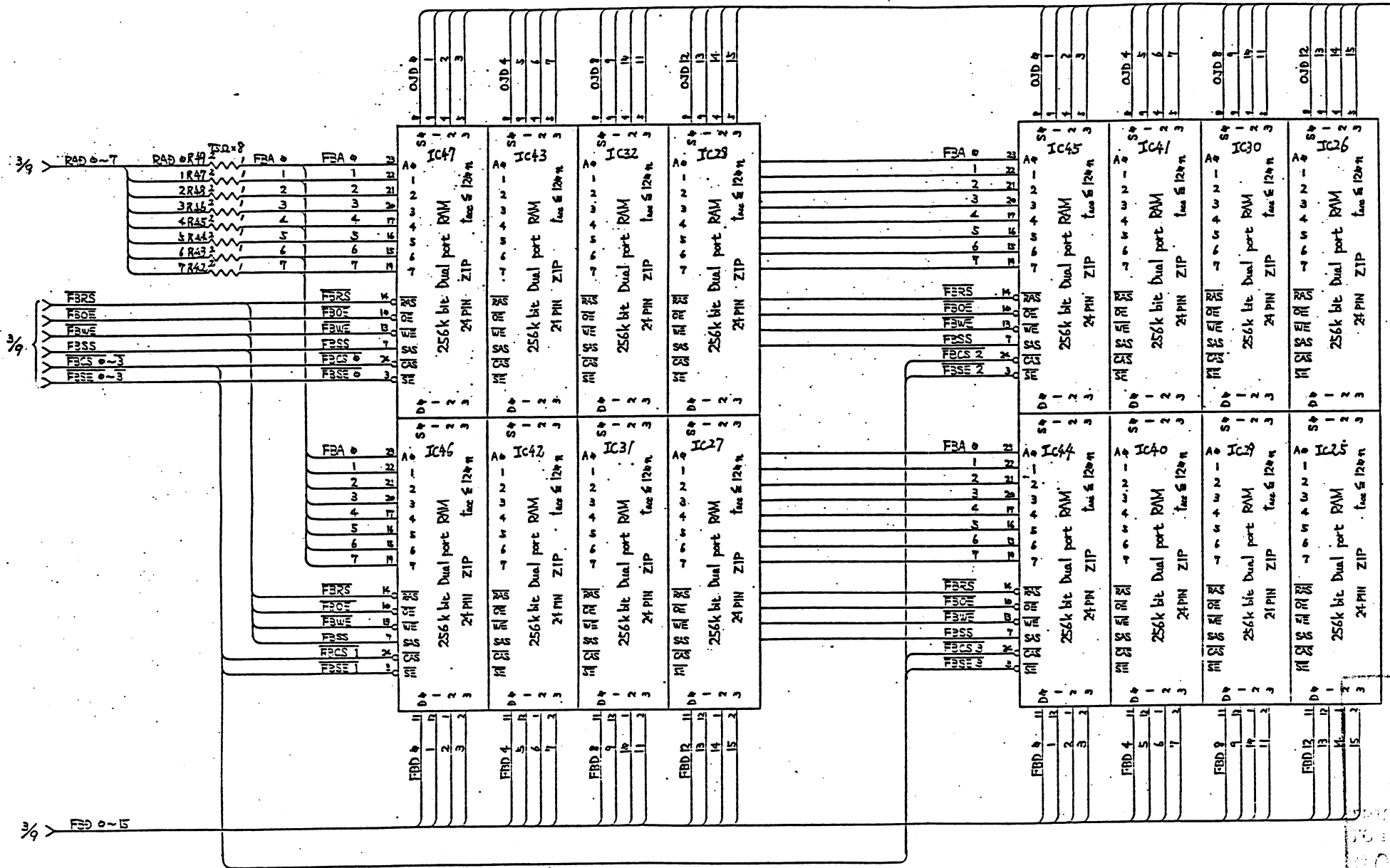


0257  
 01. 1 - 8  
**欧米事業部**

SEGA SEGA ENTERPRISES, LTD.	REV
171-59540 837-7428	171-59540
SYSTEM32 SCRMU	REV
DATE 1989 / 7 / 12	REV 209

SPIDERMAN





④ FRS, FSS へ、本ノ組カク記後スルコト

0257

01.1-8

**欧米事業部**

171-5964 D 837-7428

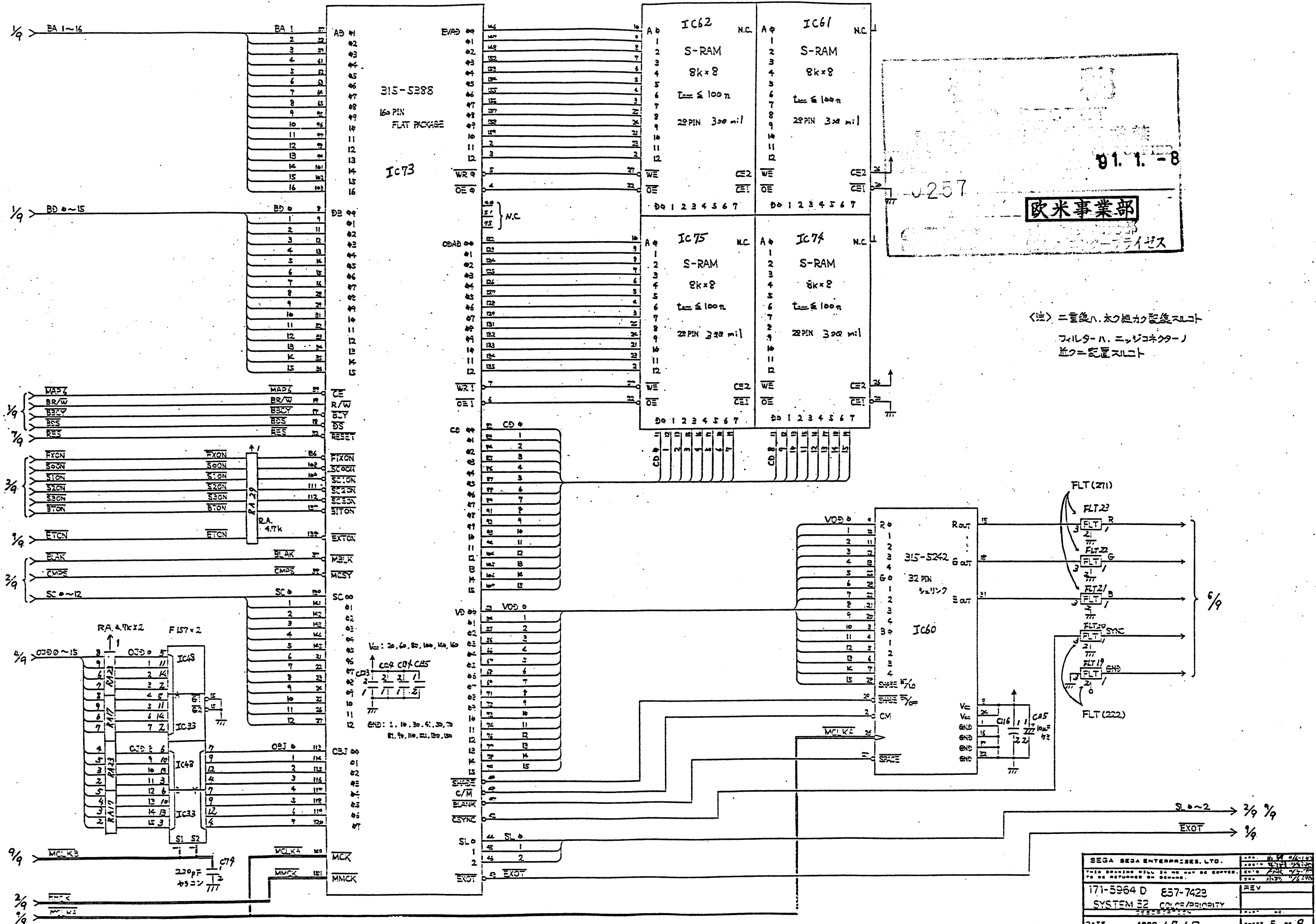
SYSTEM 32 FRAME MEMORY

DATE 1990 / 7 / 12

REV 4 of 9

SEGA SEGA ENTERPRISES, LTD.		REV
THIS DRAWING WILL IN NO WAY BE CONSIDERED TO BE RETURNED OR REPRODUCED WITHOUT THE WRITTEN PERMISSION OF SEGA ENTERPRISES, LTD.		REV
171-5964 D 837-7428		REV
SYSTEM 32 FRAME MEMORY		REV
DATE 1990 / 7 / 12		REV 4 of 9

SPIDER MAN



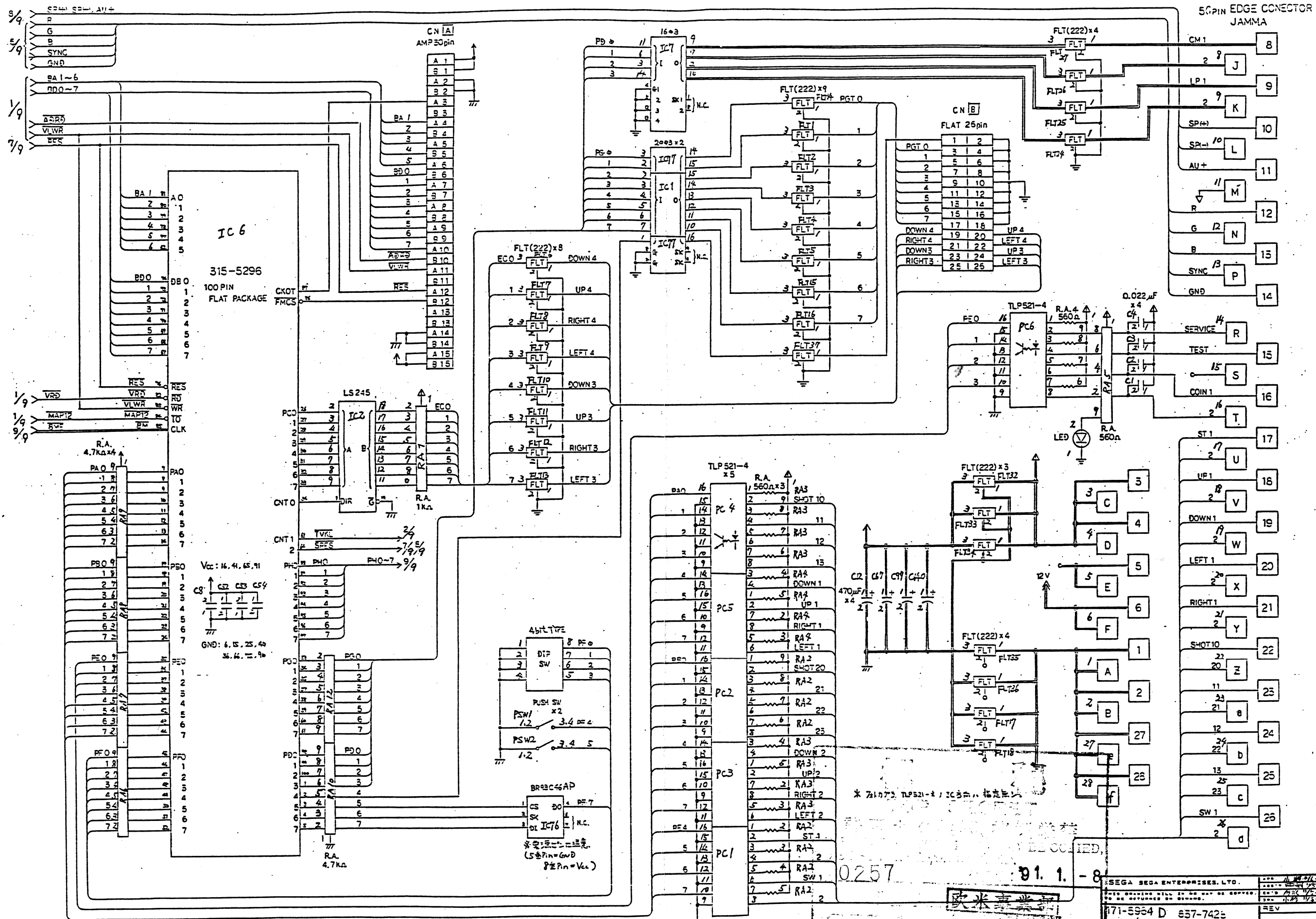
欧米事業部

ニ重線ハ、木口紙カシ線スロット  
 フィルターハ、ニジコネクターノ  
 並クニ配置スロット

SEGA SEGA ENTERPRISES, LTD.		REV
THIS DRAWING WILL IN NO WAY BE COPIED, REPRODUCED, OR TRANSMITTED IN ANY FORM OR BY ANY MEANS, WITHOUT THE WRITTEN PERMISSION OF SEGA ENTERPRISES, LTD.		REV
171-5964 D	837-7423	REV
SYSTEM 32		DATE
1990 / 7 / 12		5 of 9

SPIDER MAN

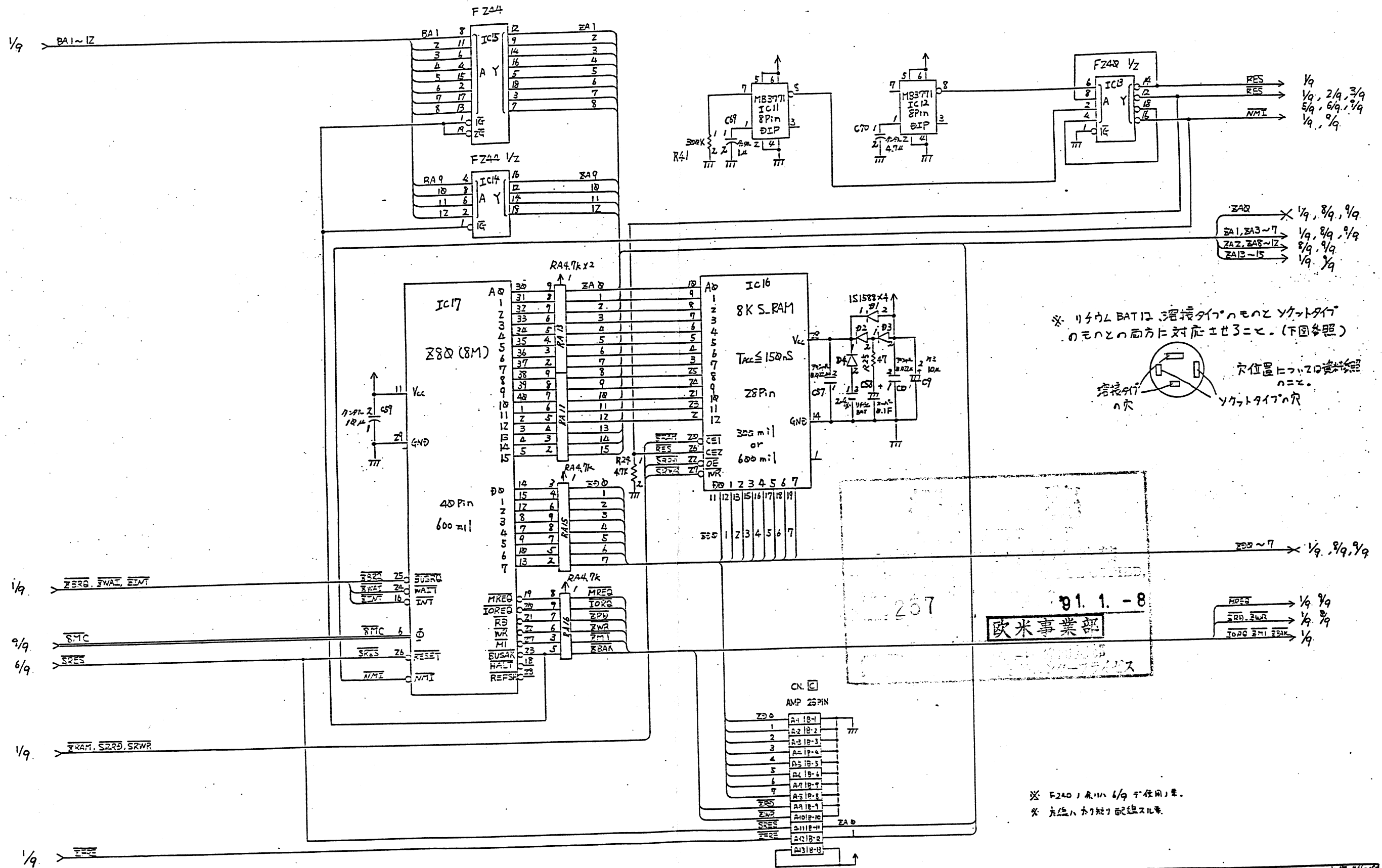




0257  
91. 1. - 8  
SEGA SEGA ENTERPRISES, LTD.  
SYSTEMS ENGINEERING  
DATE 1990 / 7 / 12

SEGA SEGA ENTERPRISES, LTD.	REV
171-5964 D 657-742	REV
SYSTEMS ENGINEERING	REV
DATE 1990 / 7 / 12	6 9

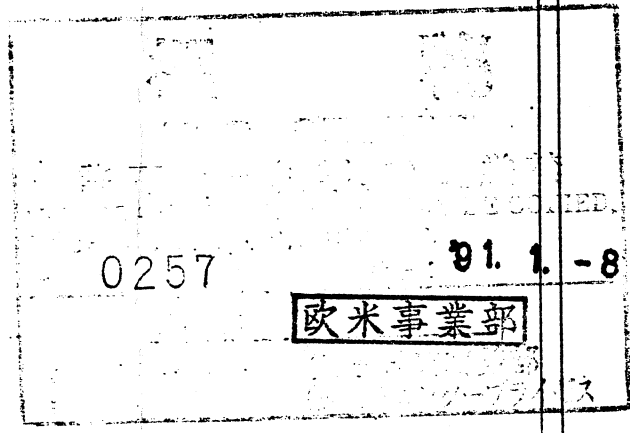
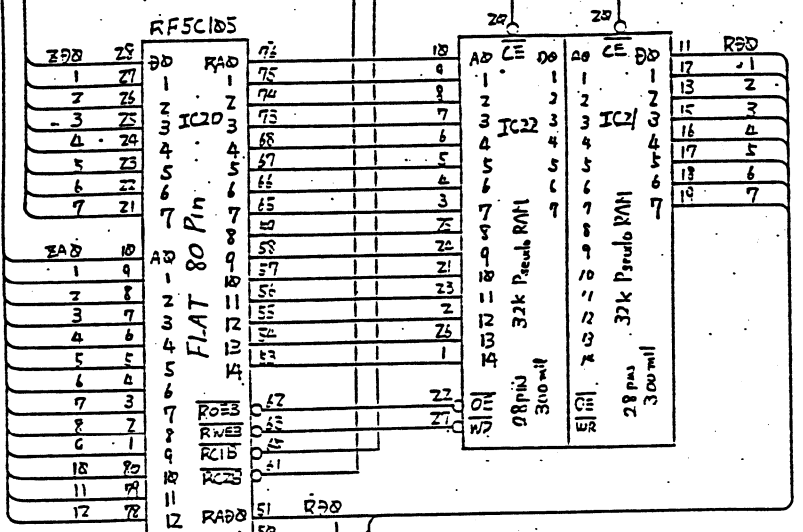
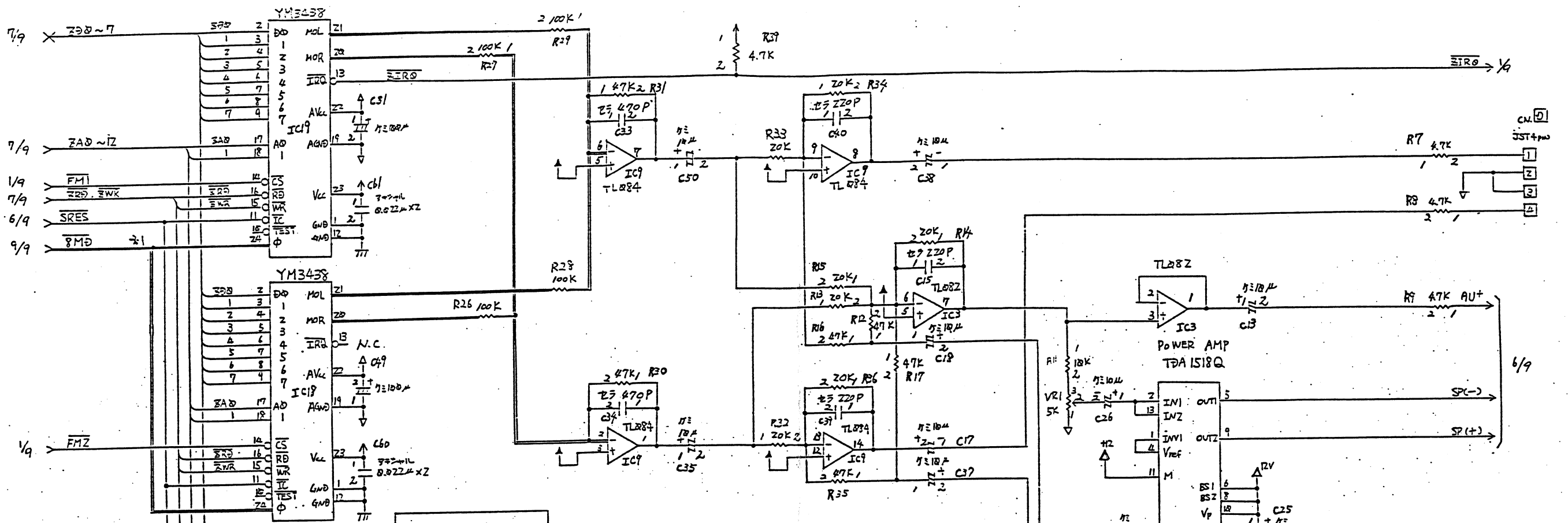
SPIDER MAN



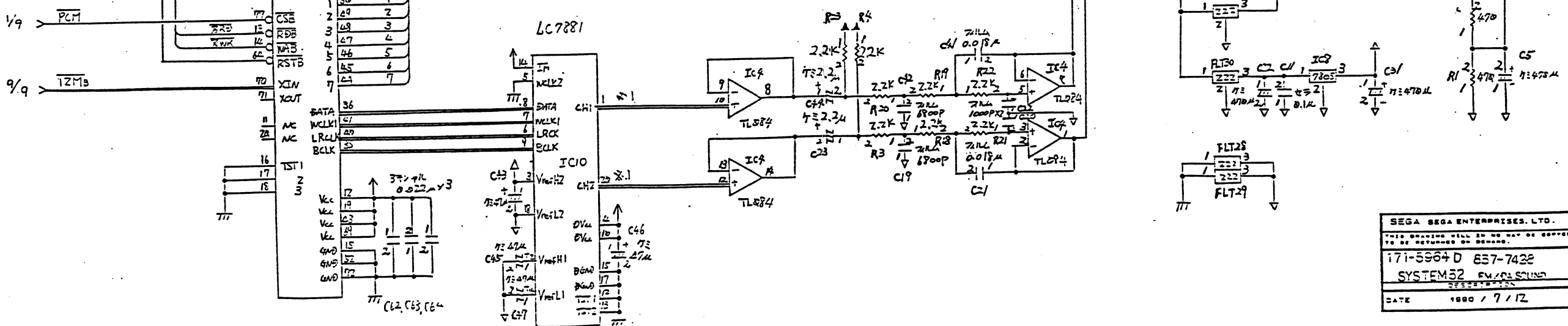
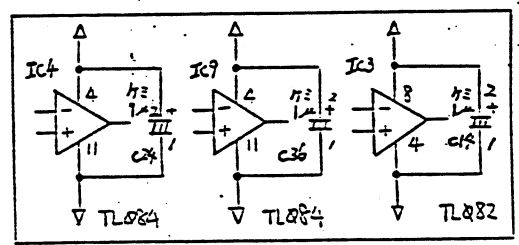
SEGA SEGA ENTERPRISES, LTD.	REV. 1.1
THIS DRAWING SHALL BE IN THE HAND OF SUPPLIER.	DATE 1980/7/12
TO BE RETURNED ON CHANGE.	REV. 1.1
171-5964D 657-7428	REV. 1.1
SYSTEM 32 SOUND CHIP	DATE 1980/7/12
DATE 1980/7/12	REV. 1.1

SPIDER MAN





- \*1. 二重線入力のオプアンプ。
- \*2. 4.7k AVcc (+5V), 10k AVcc (+2.5V), 10k AVcc (+2.5V), 10k AVcc (+2.5V).
- \*3. 7805 (5端子) と 7805 (5端子) の基準電圧を固定する際、基準電圧調整端子は GND に接続する。



SEGA SEGA ENTERPRISES, LTD.	171-5964 D	837-7422	REV
171-5964 D	837-7422	SYSTEM32 SW. P.C. SOUND	
DATE	1989 / 7 / 12		9

SPIDER MAN

