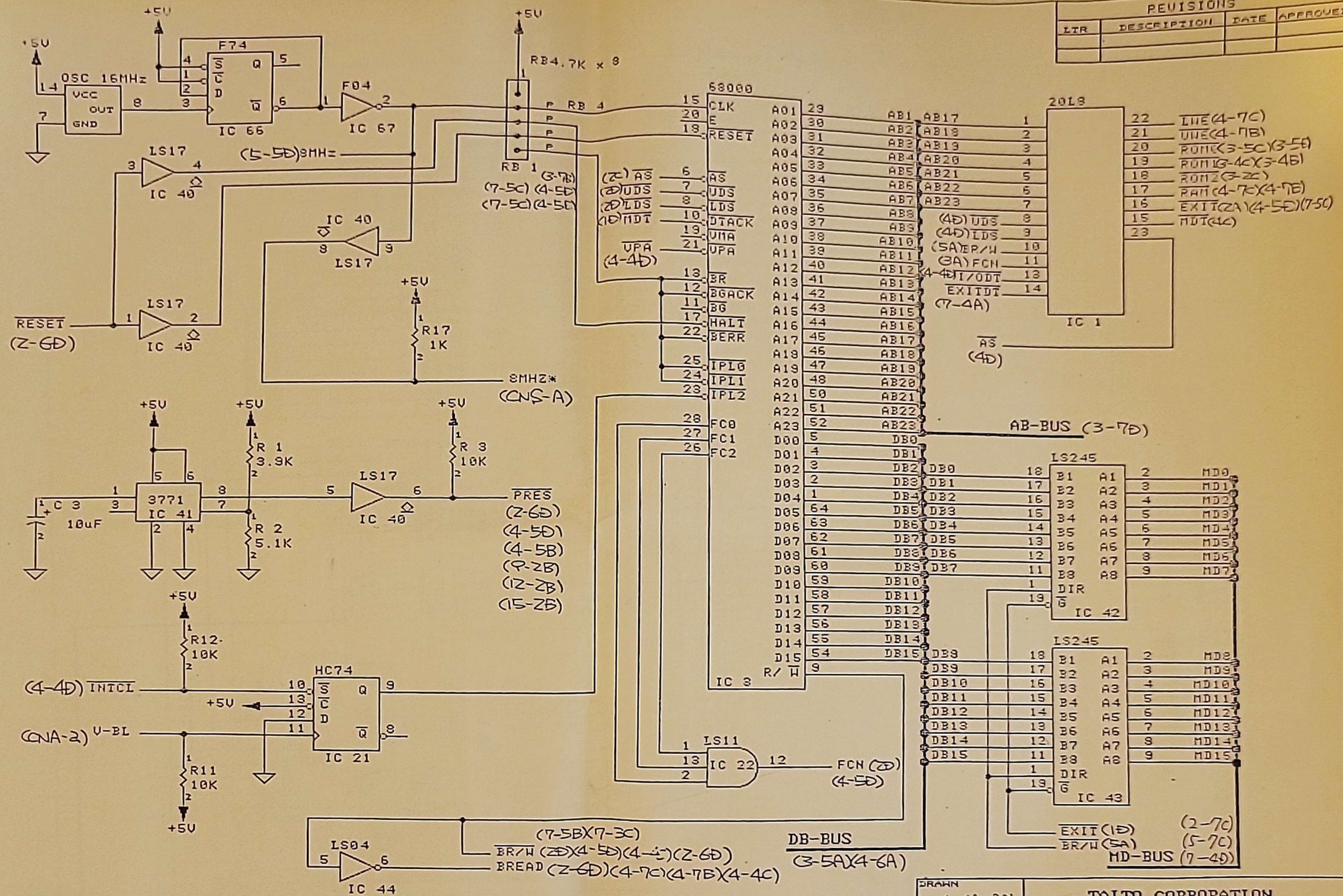


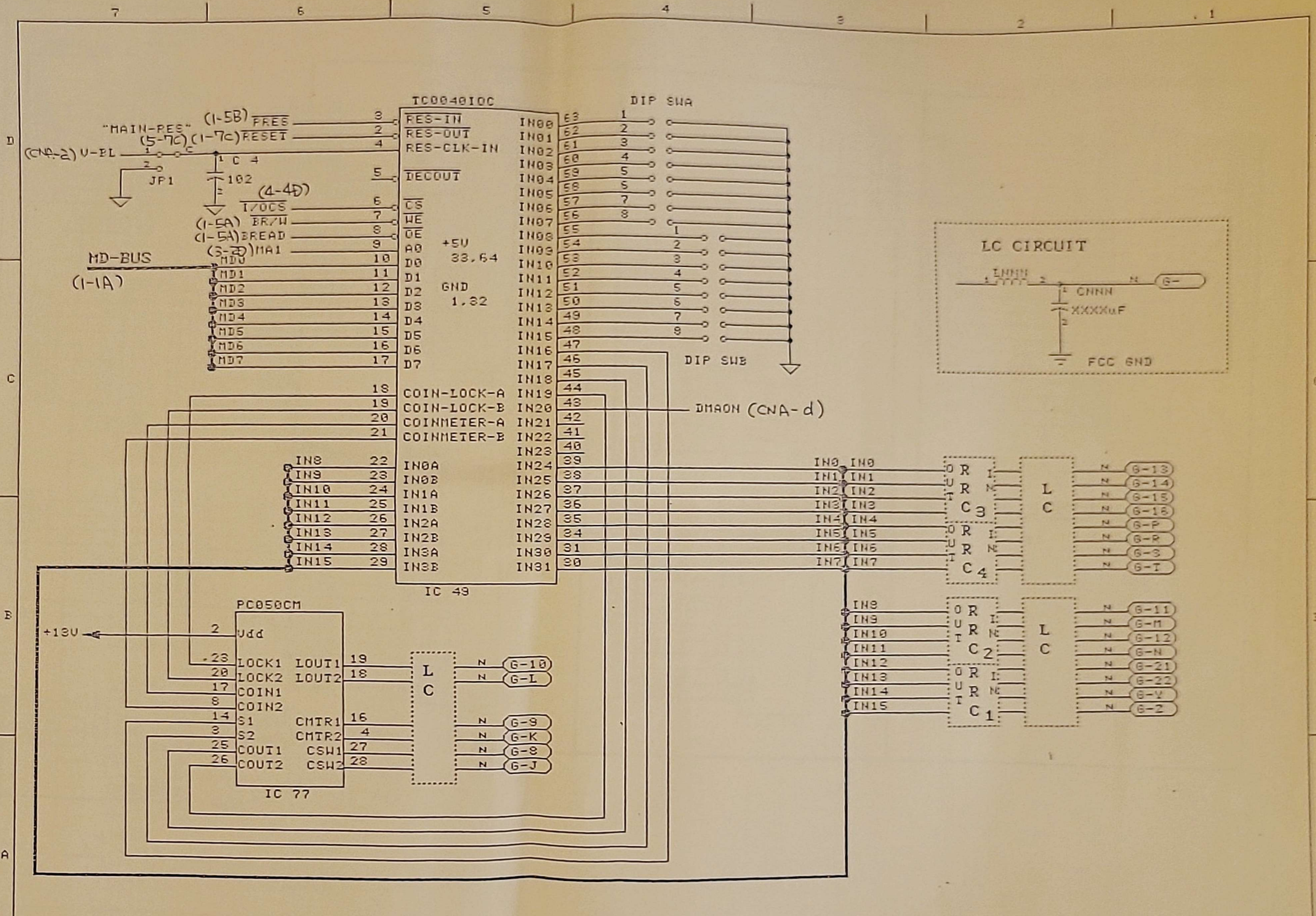
REVISIONS

LTR	DESCRIPTION	DATE	APPROVED



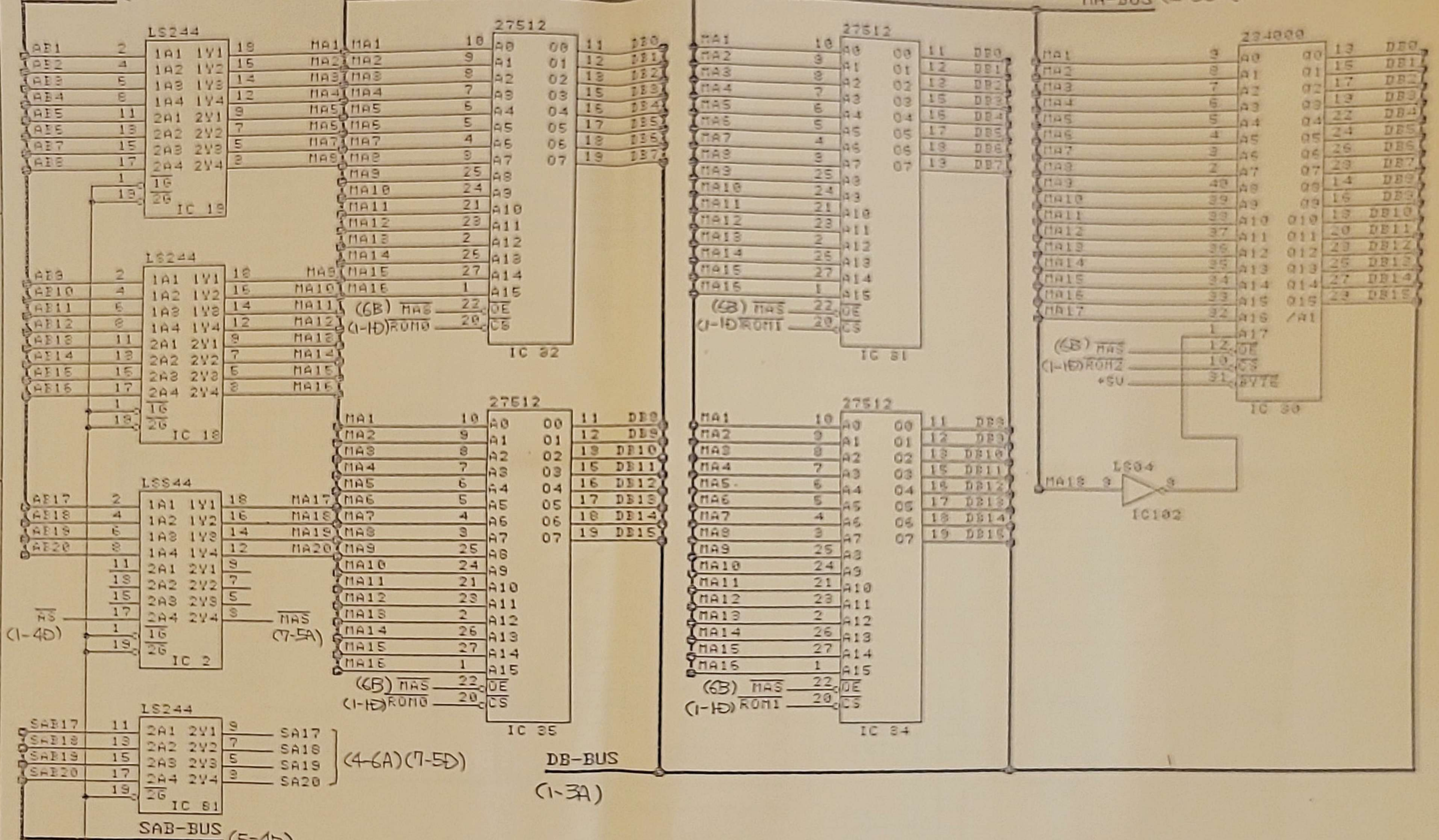
THE NINJAWARRIORS

DRAWN 1.19.88 DESIGN S. Tsuchida CHECK T. Sawamura APPROVED APPROVED	TAITO CORPORATION NAME CPU P.C.B SCHEMATIC DIAGRAM SIZE CODE A3 NINJA WARRIORS DNG. NO. W51 00248A SCALE RELEASE DATE SHEET 1/21
---	---

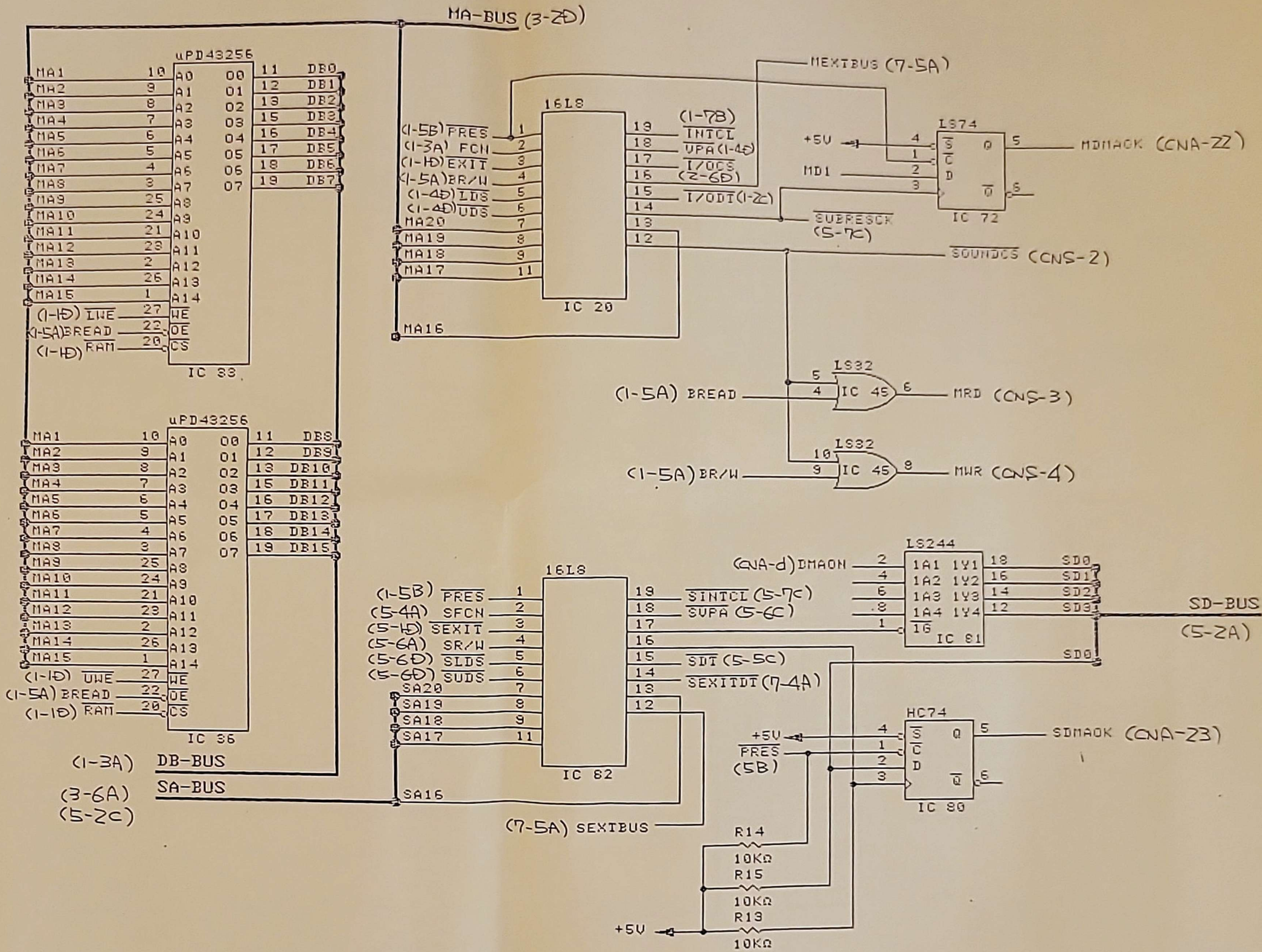


AB-BUS (1-2C)

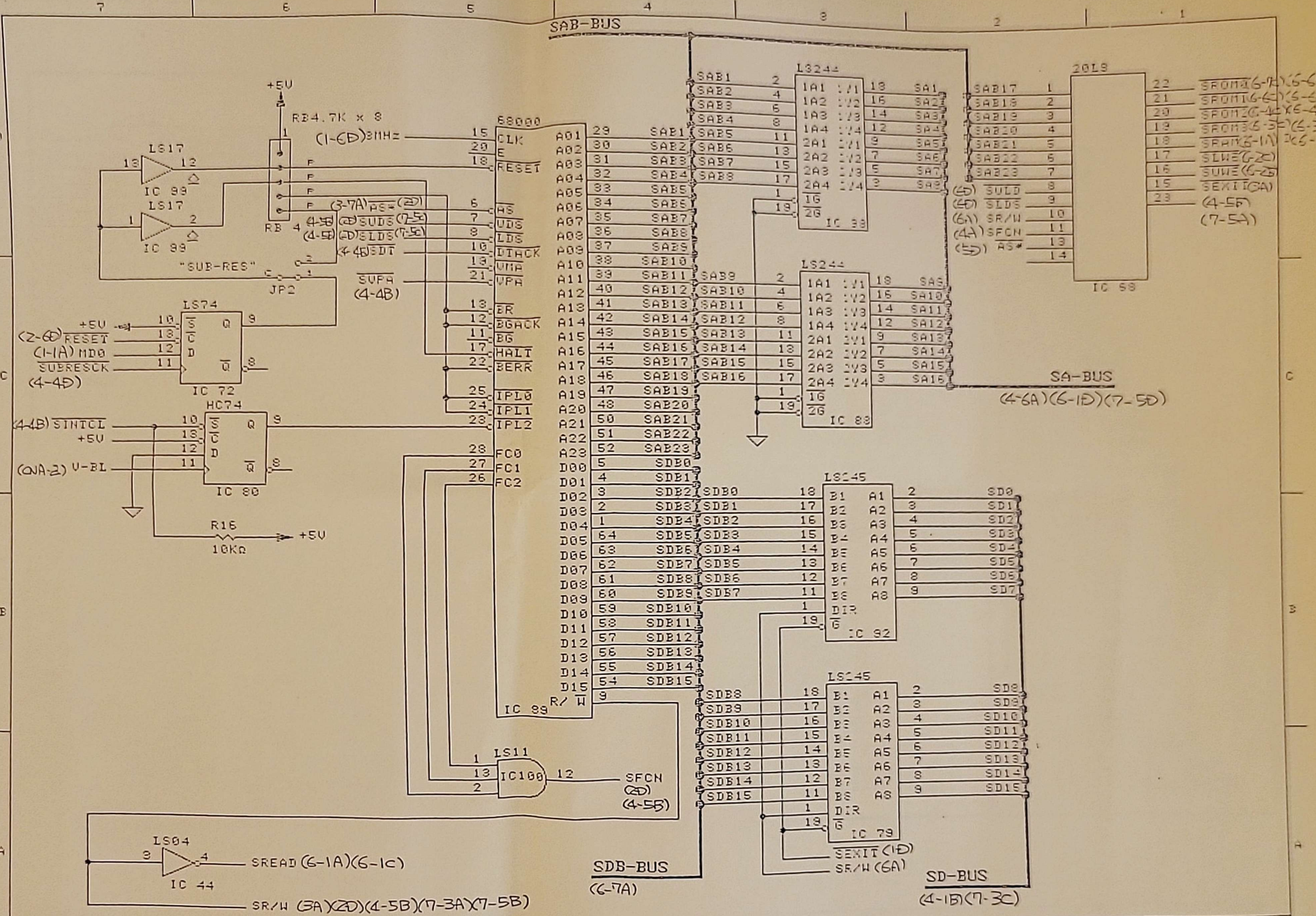
MA-BUS (2-6D)(4-5D)(7-5D)



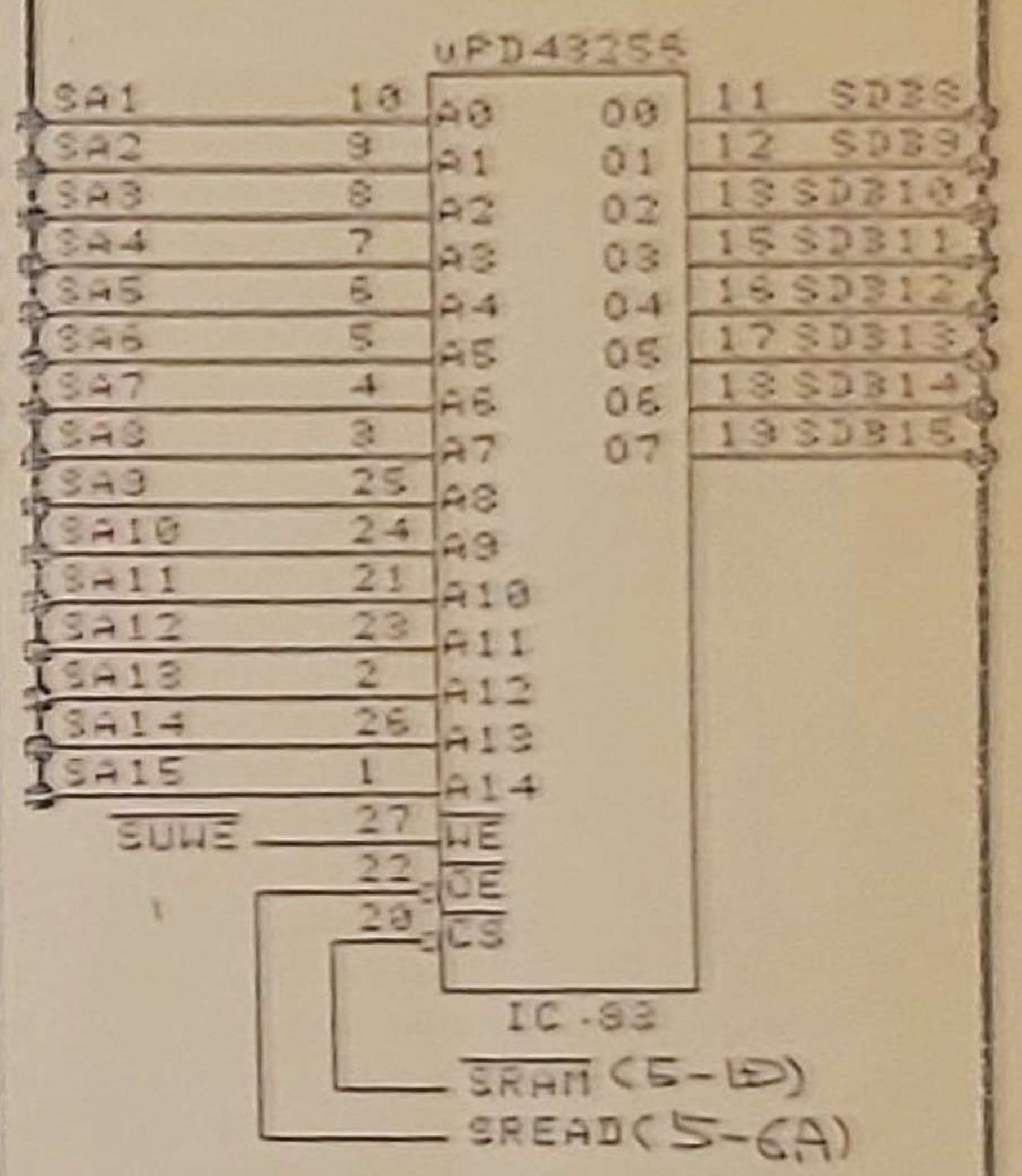
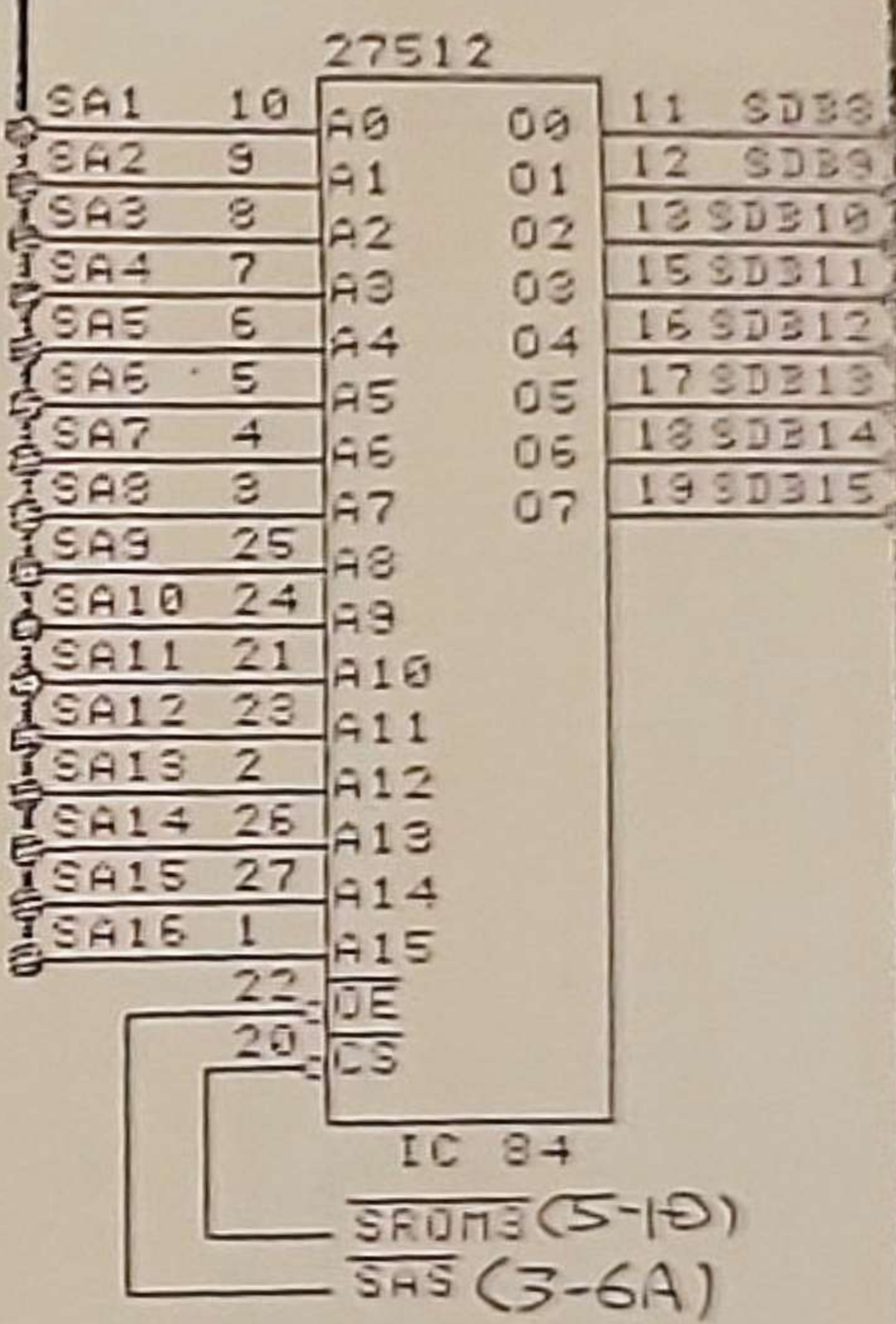
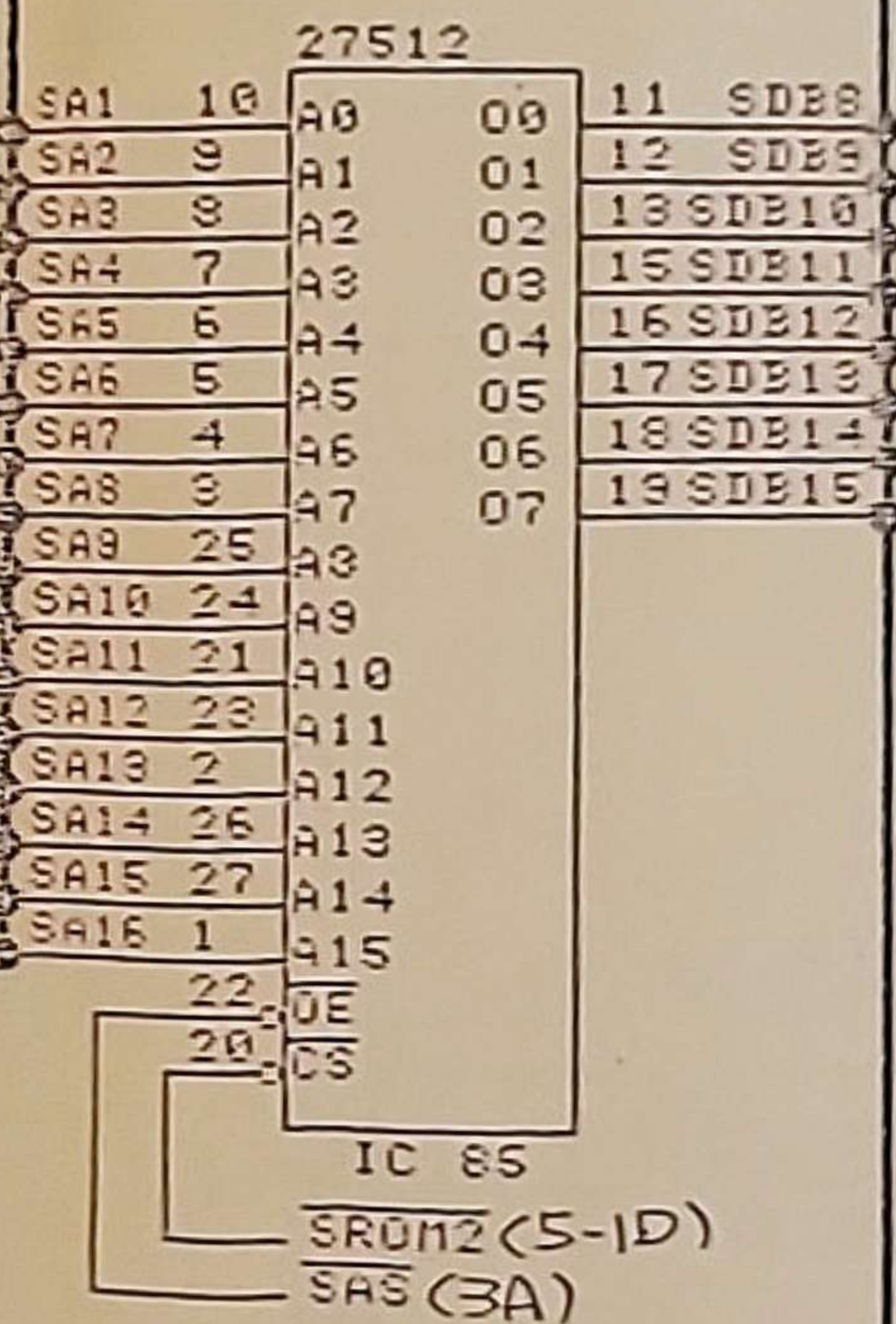
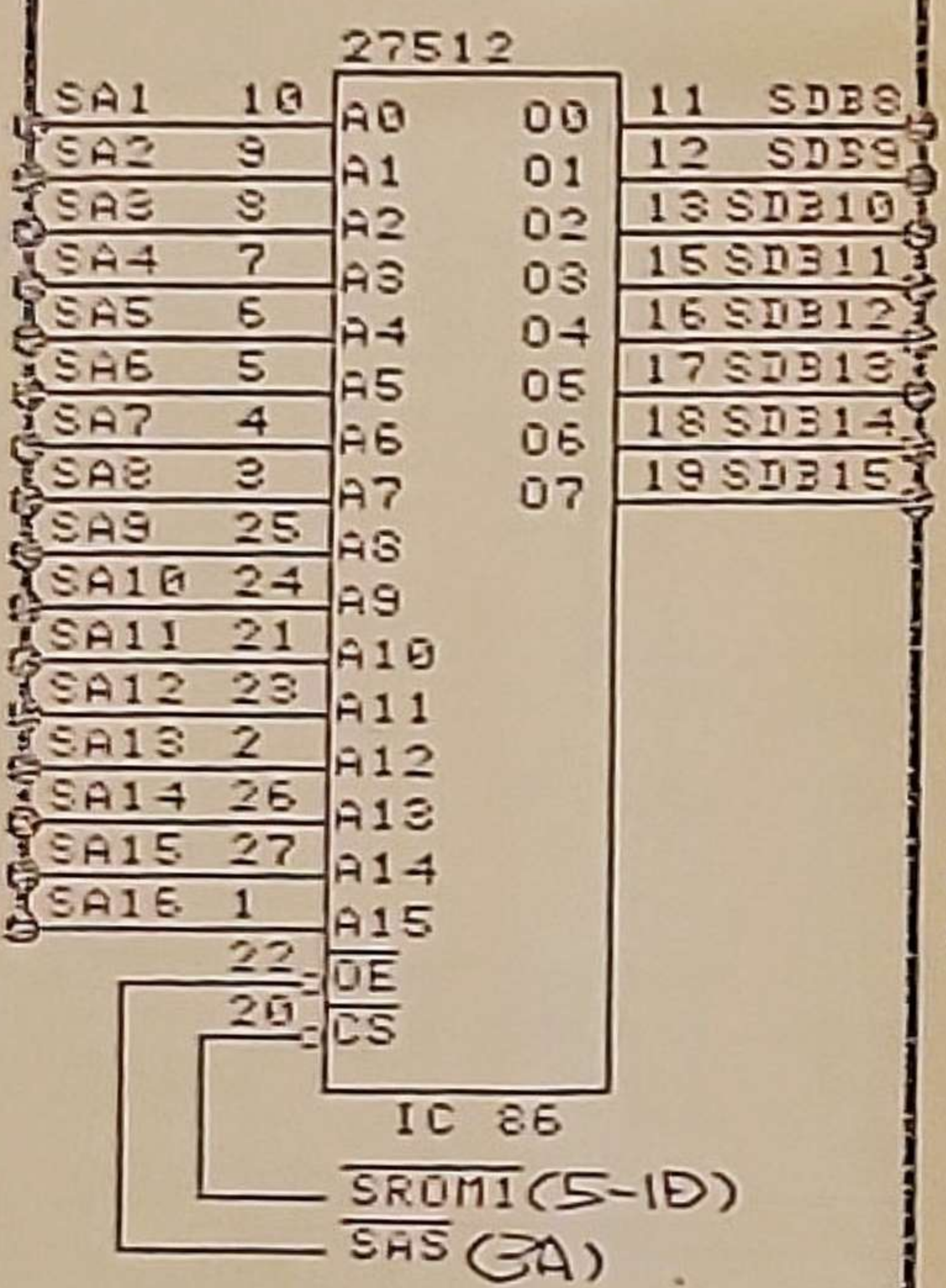
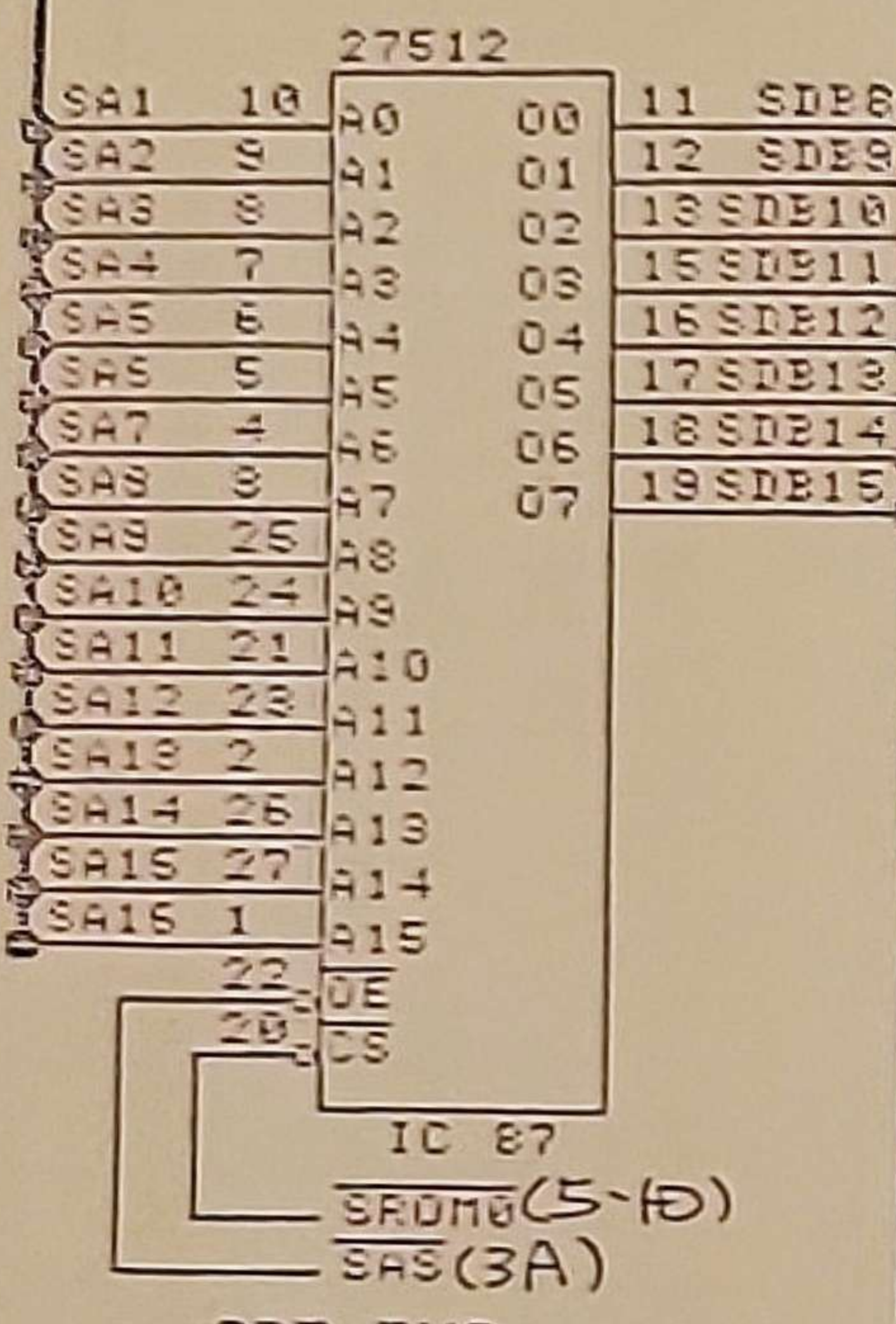
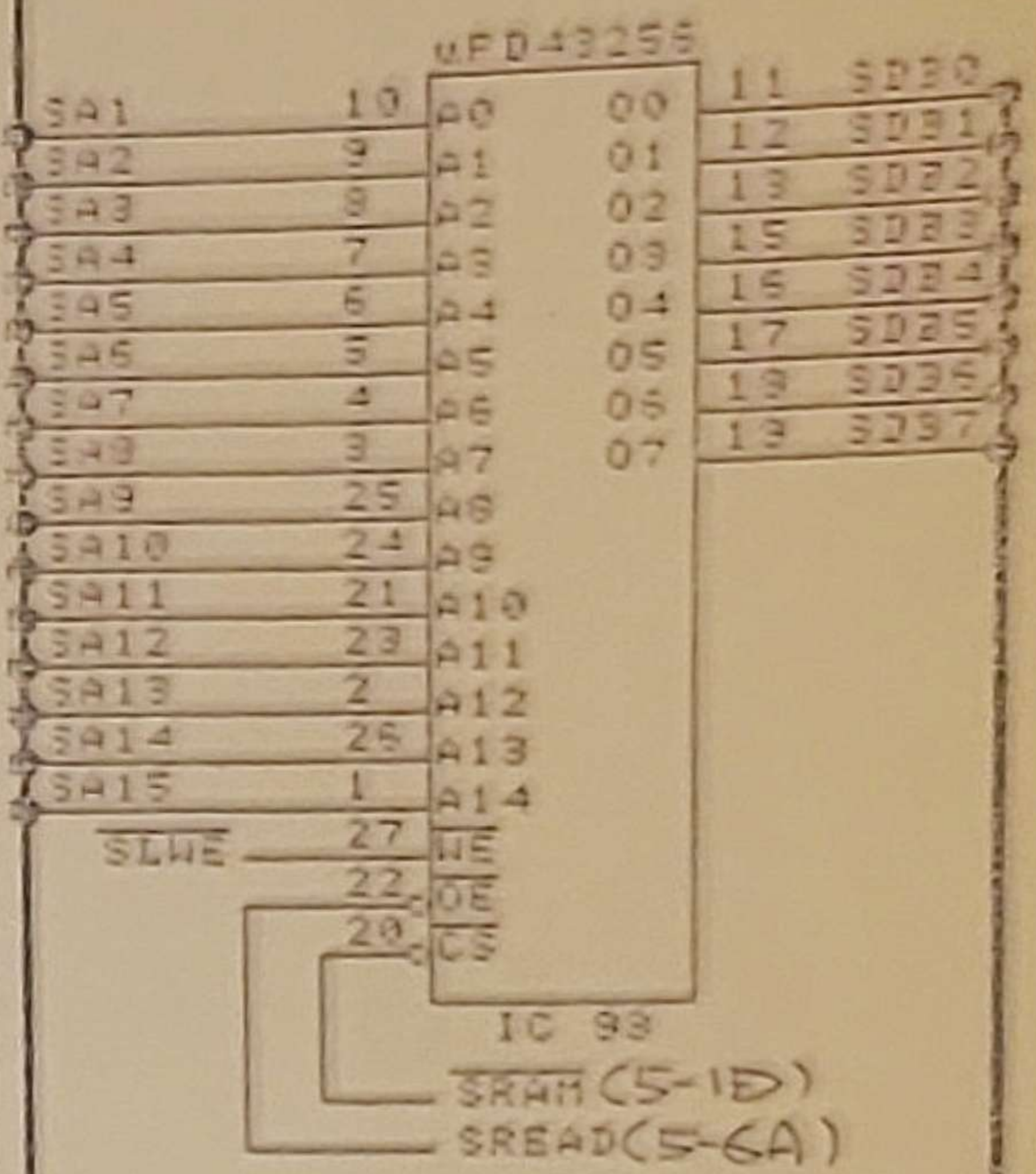
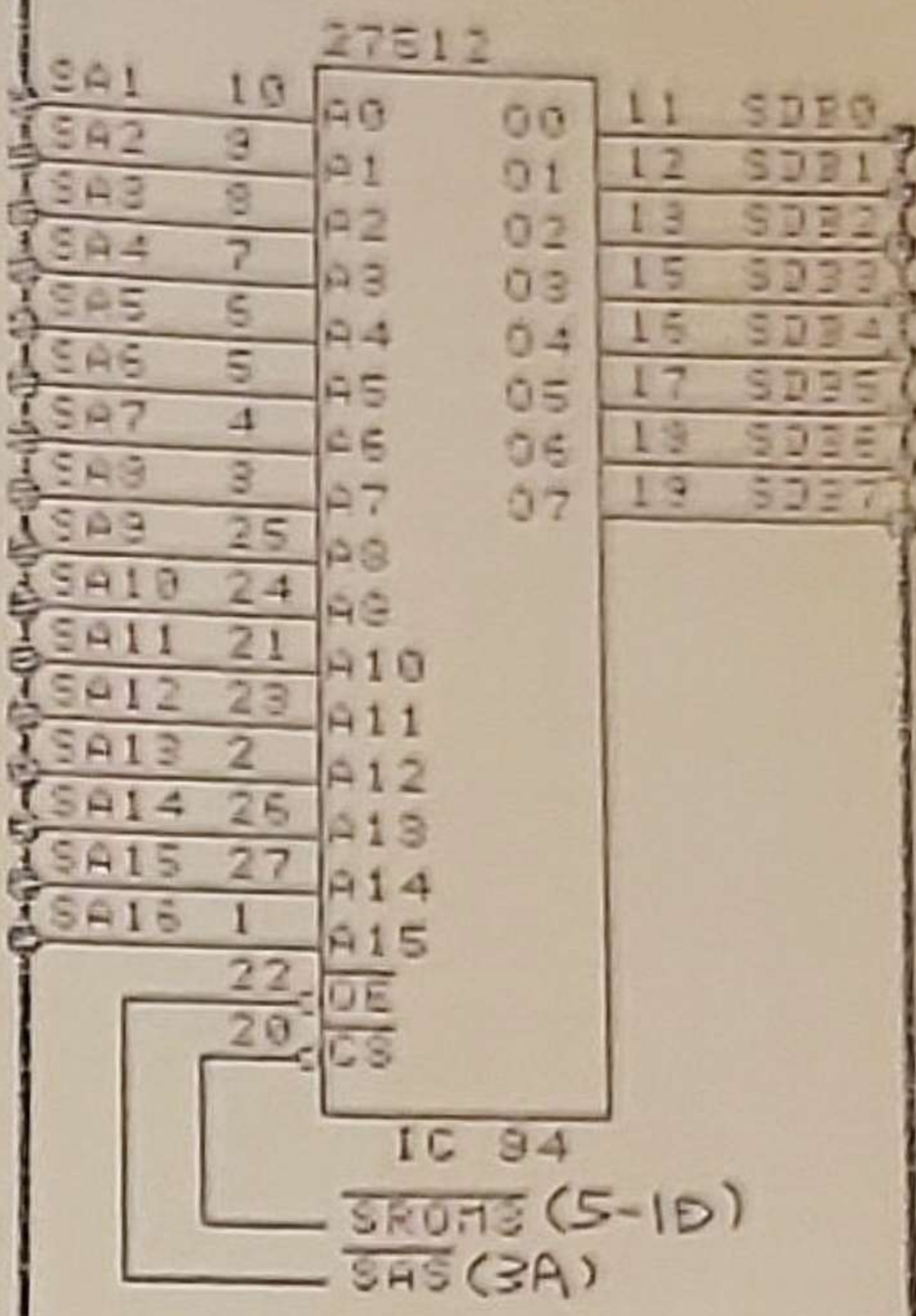
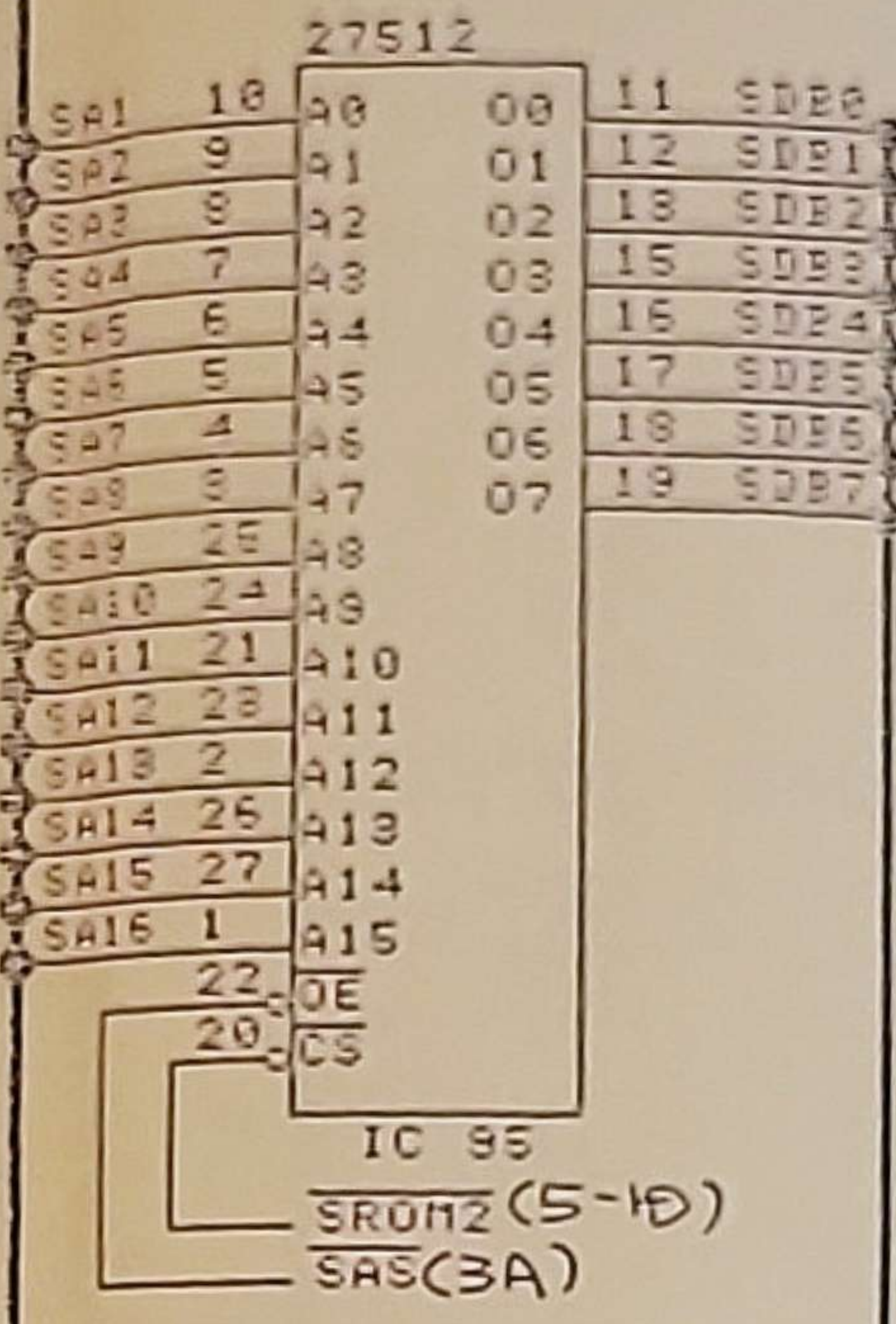
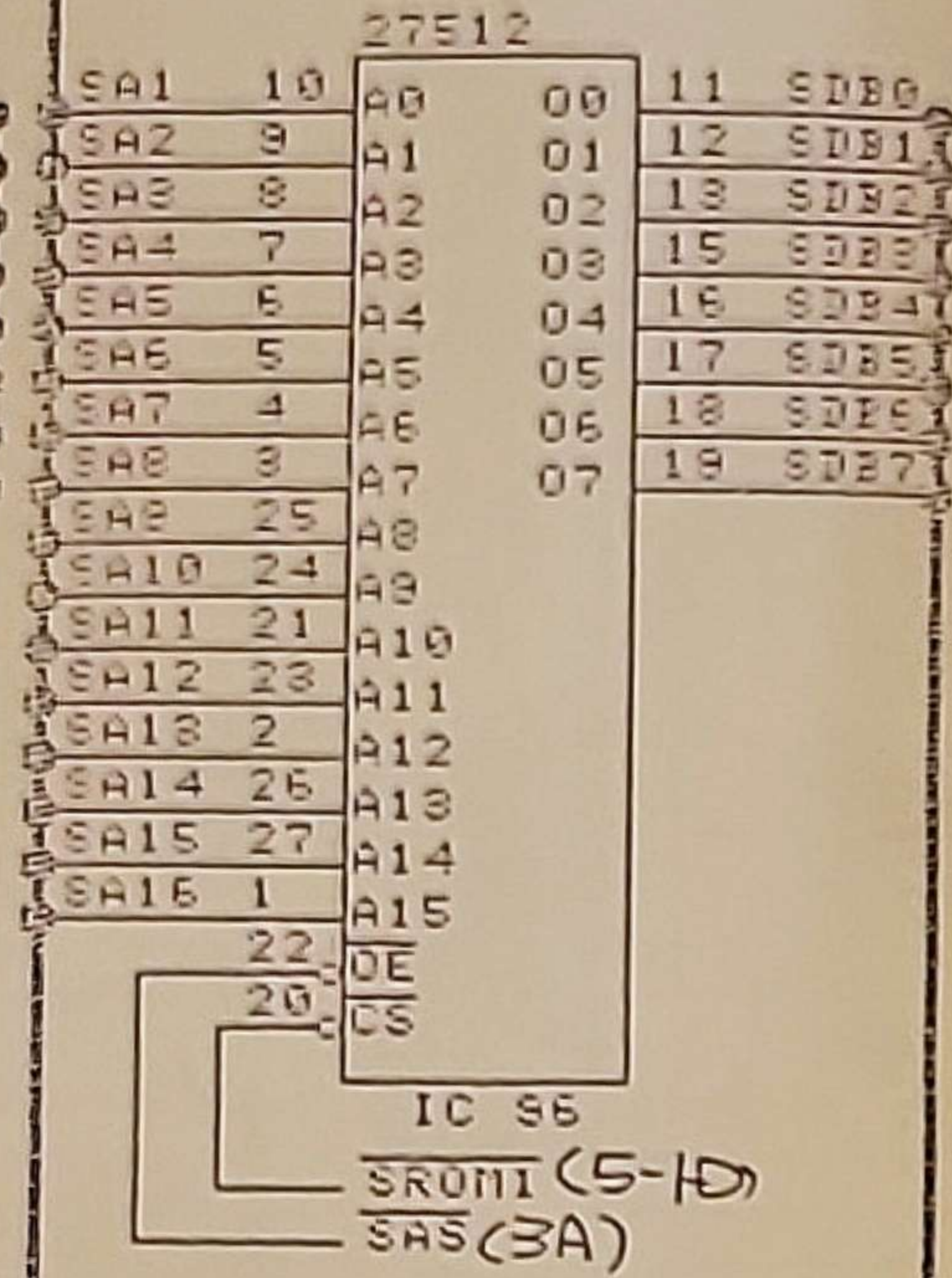
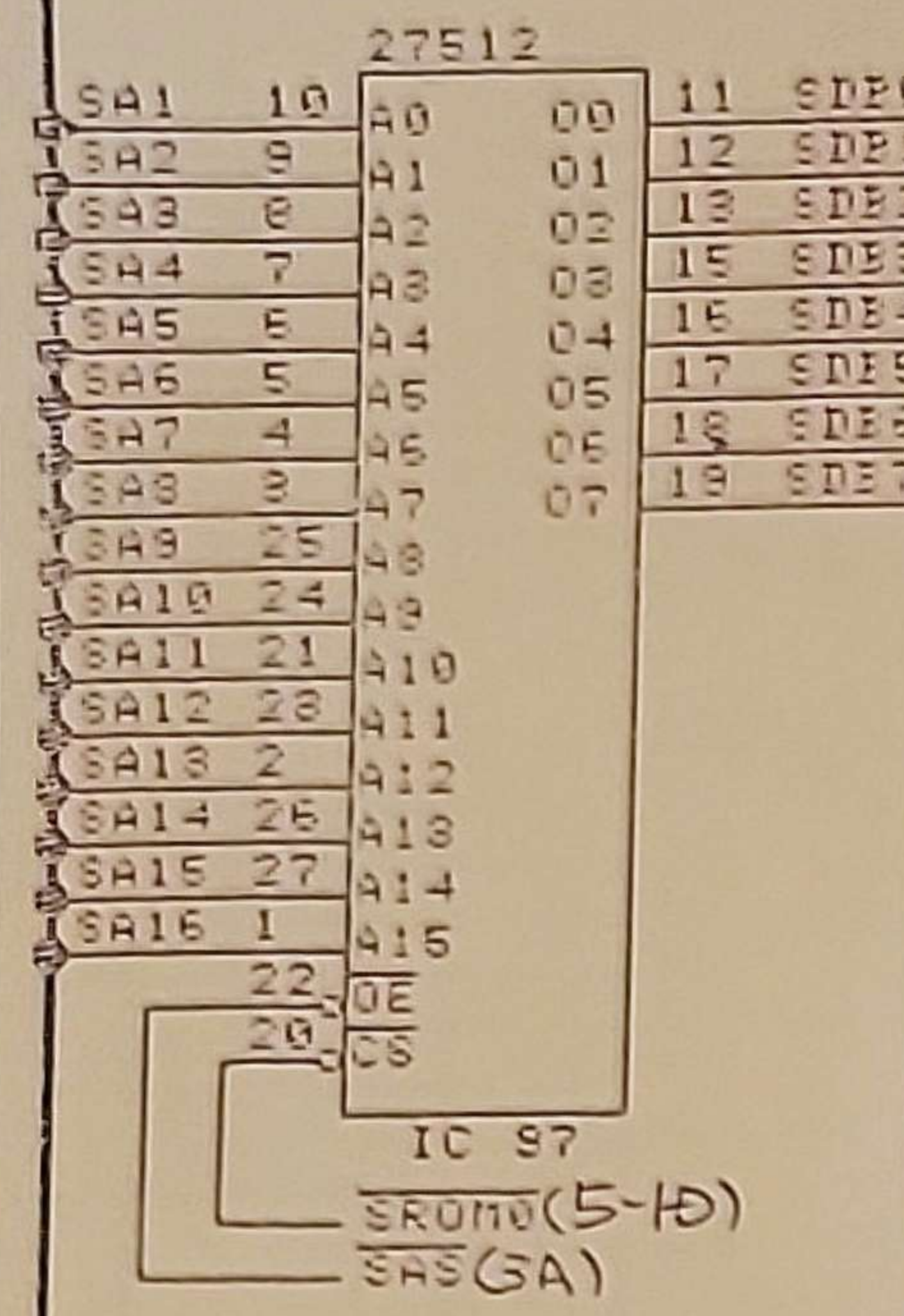
PROJECT	TITLE	DESIGN	DRAWING DAYS	SIZE	TAITO CORPORATION	SHEET
	W5100248A	S. Tsuchida	1.19.88'	A3		3/21



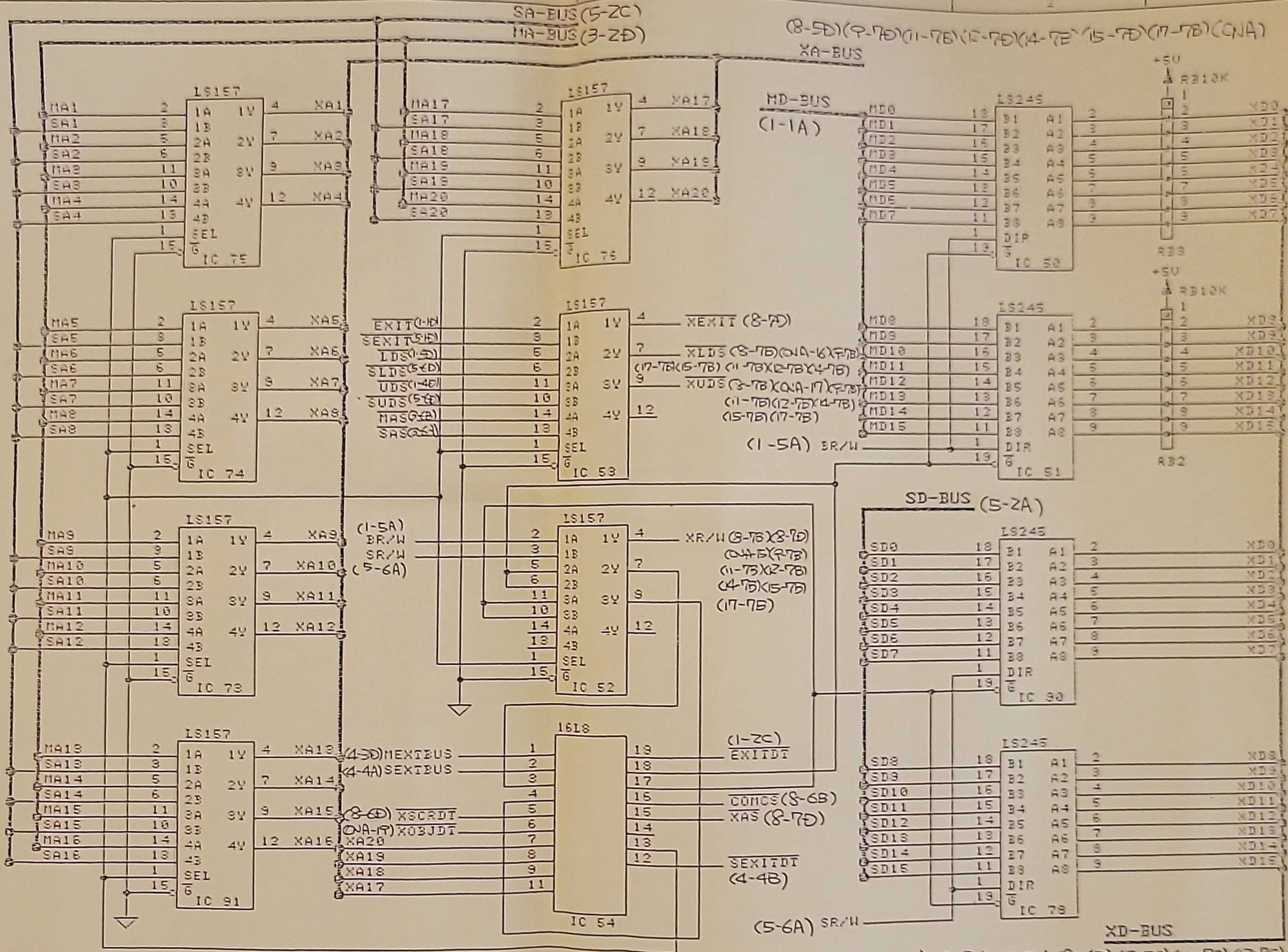
PROJECT	TITLE	DESIGN	DRAWING DAYS	SIZE	TAITO CORPORATION	SHEET
	W5100248A	S. Tsuchida	1. 19. 28'	A3		4 / 21



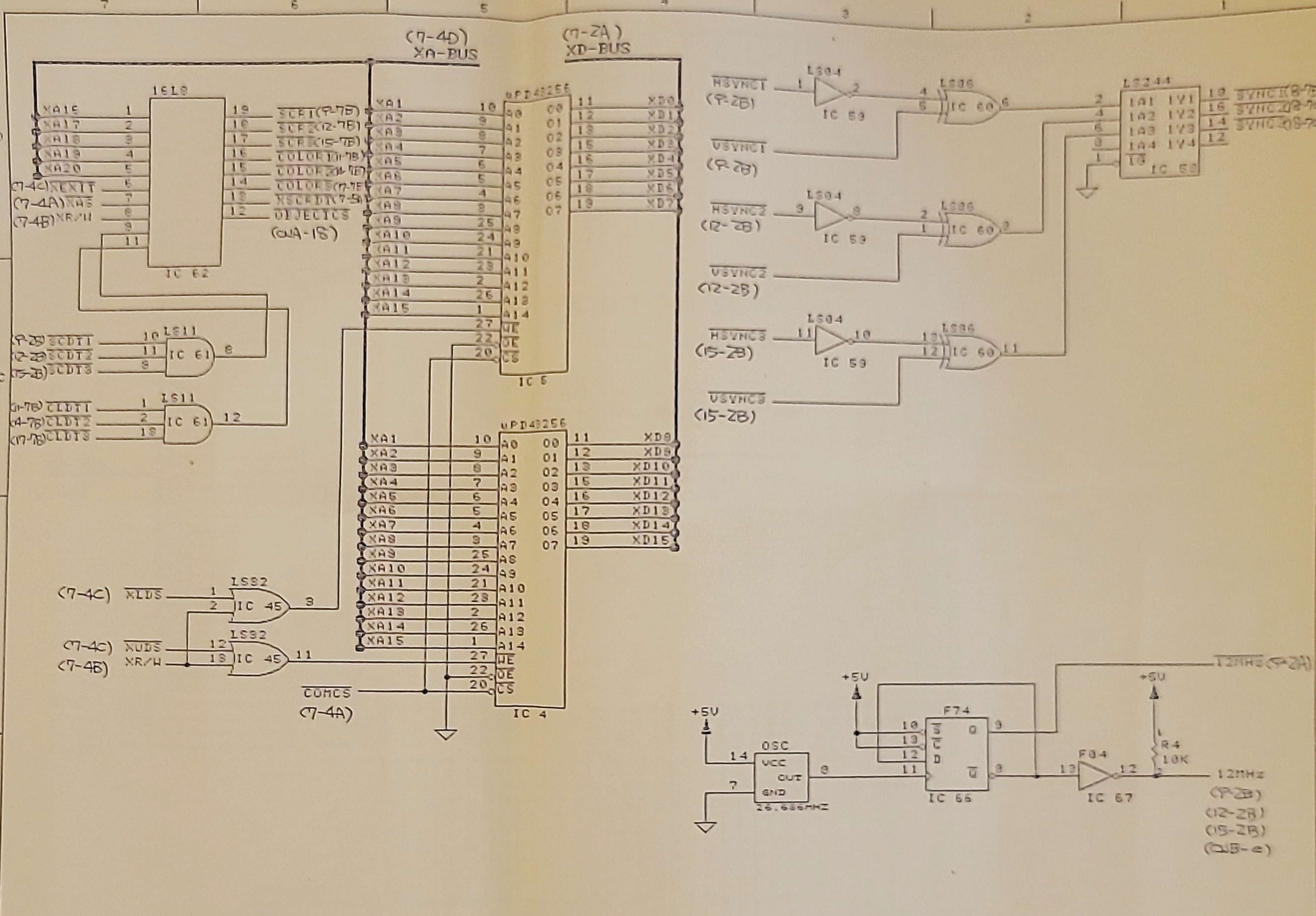
SA-BUS
(5-ZC)



SDB-BUS
(5-4A)



PROJECT	TITLE	DESIGN	DRIVING DAYS	SIZE	TAITO CORPORATION	SHEET
	W5100248A	S. Tsuchida	1. 19. 88'	A3		7/ 21



PROJECT	TITLE	DESIGN	DRAWING DAYS	SIZE	TAITO CORPORATION	SHEET
	W5100248A	S. Tsuchida	1. 19. 88'	A3		8/ 21

CHA1-BUS
(10-6D)

CHD1-BUS
(10-6A)

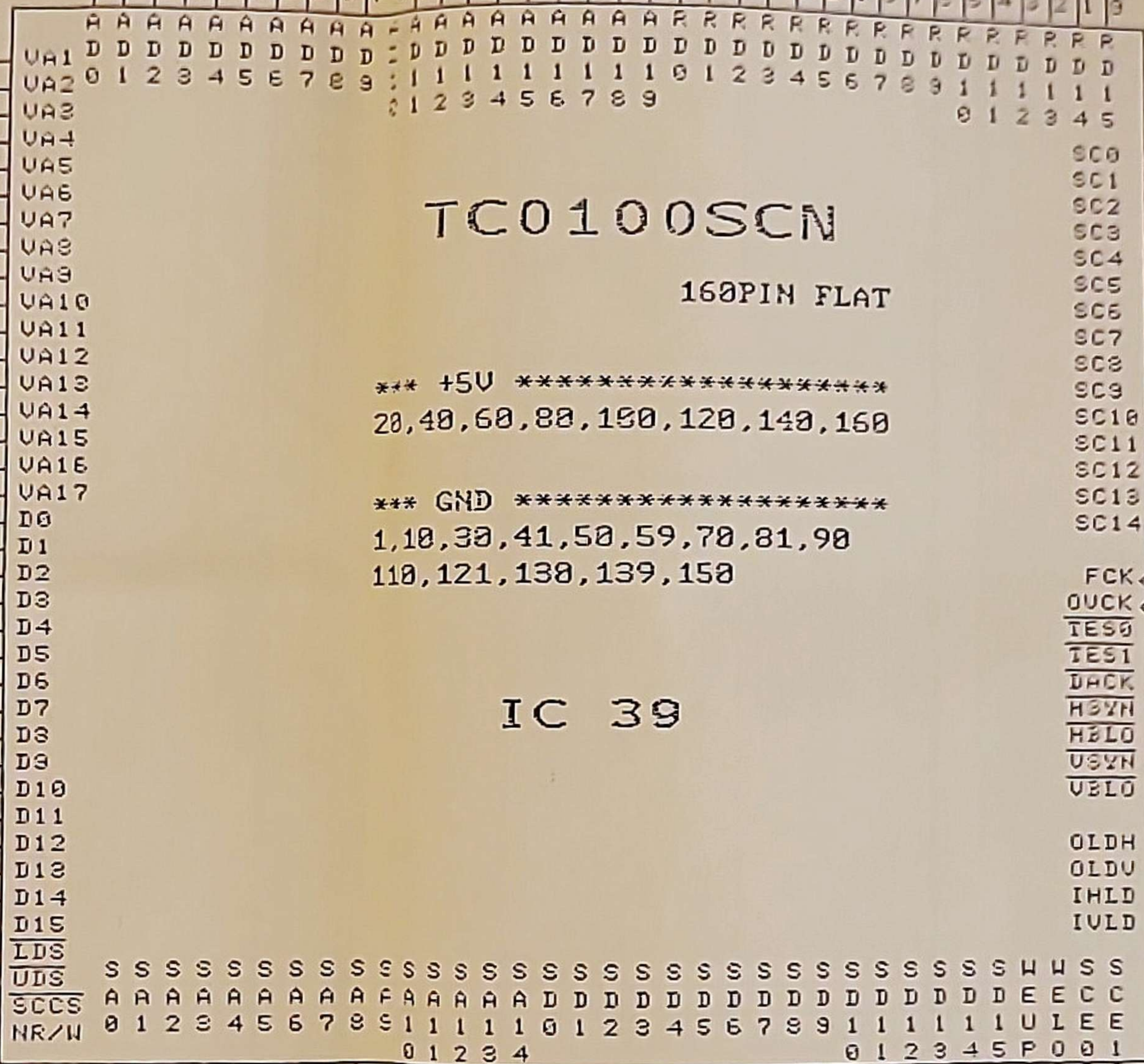
XA-BUS
(7-4D)

XD-BUS
(7-2A)

(7-4C) XLDS
(7-4C) XUDS
(8-6D) SCRI
(7-4B) XR/W

SA1-BUS
(10-2D)

SD1-BUS
(10-4A)



TC0100SCN

160PIN FLAT

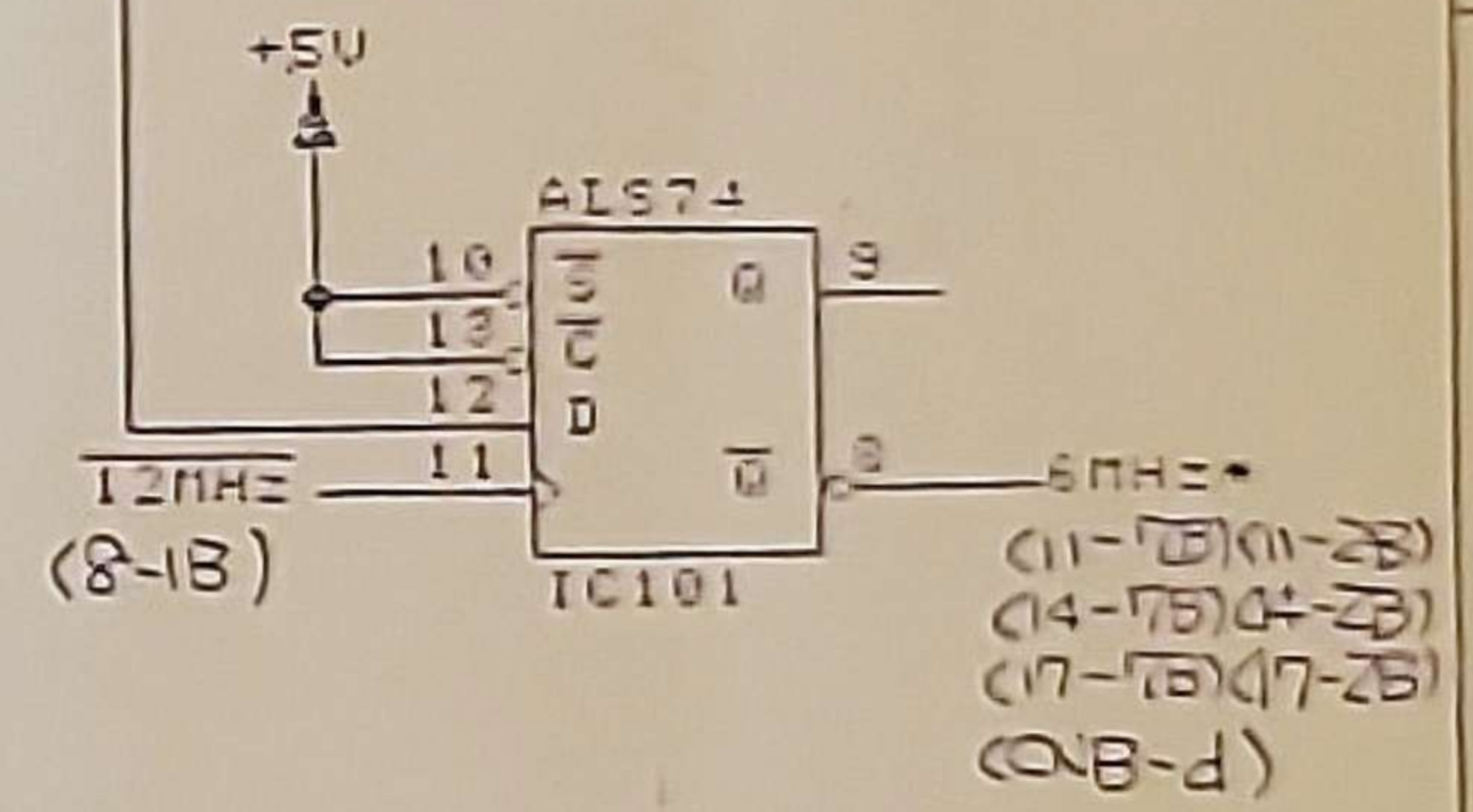
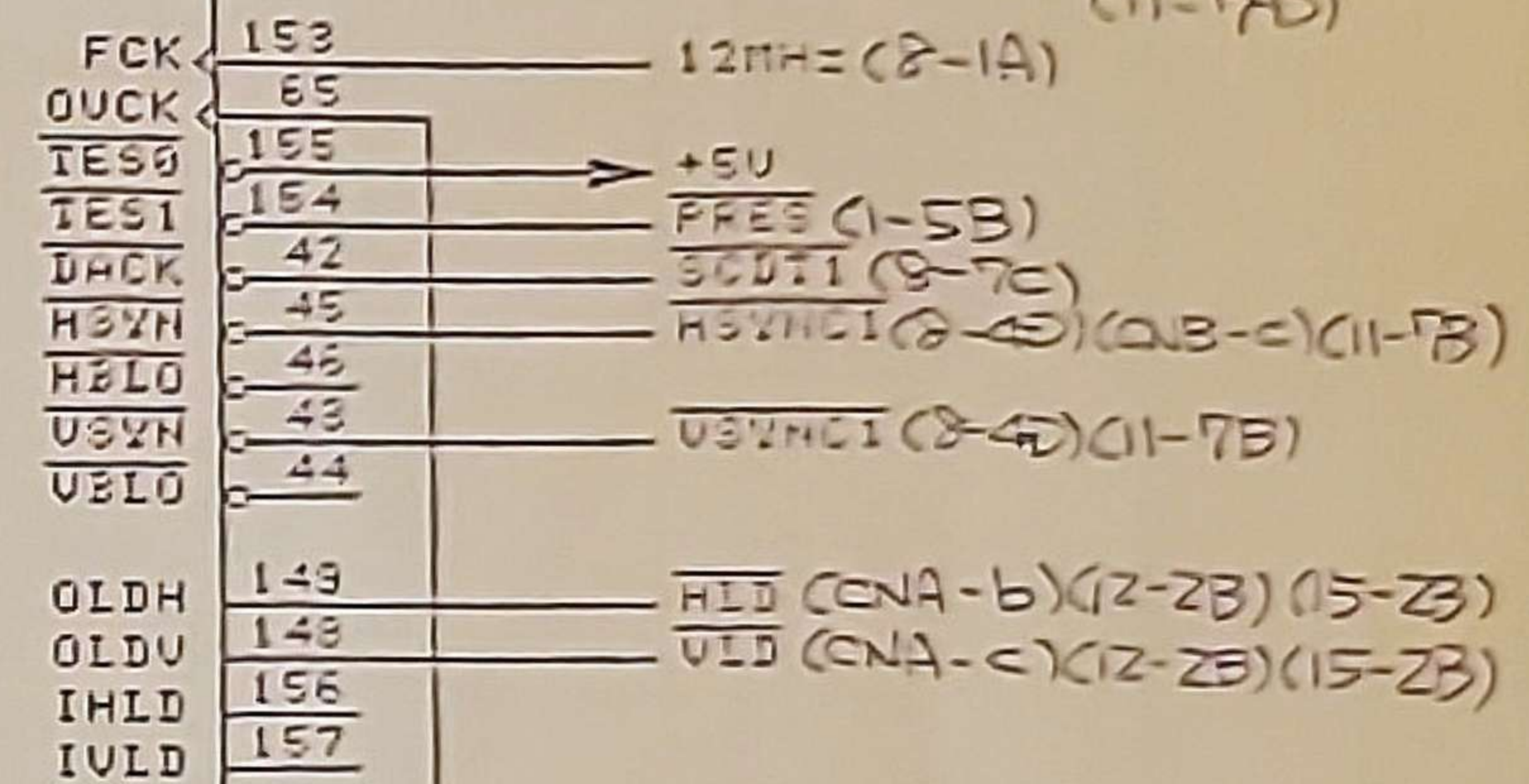
*** +5V *****
20, 40, 60, 80, 100, 120, 140, 160

*** GND *****
1, 10, 30, 41, 50, 59, 70, 81, 90
110, 121, 130, 139, 150

IC 39

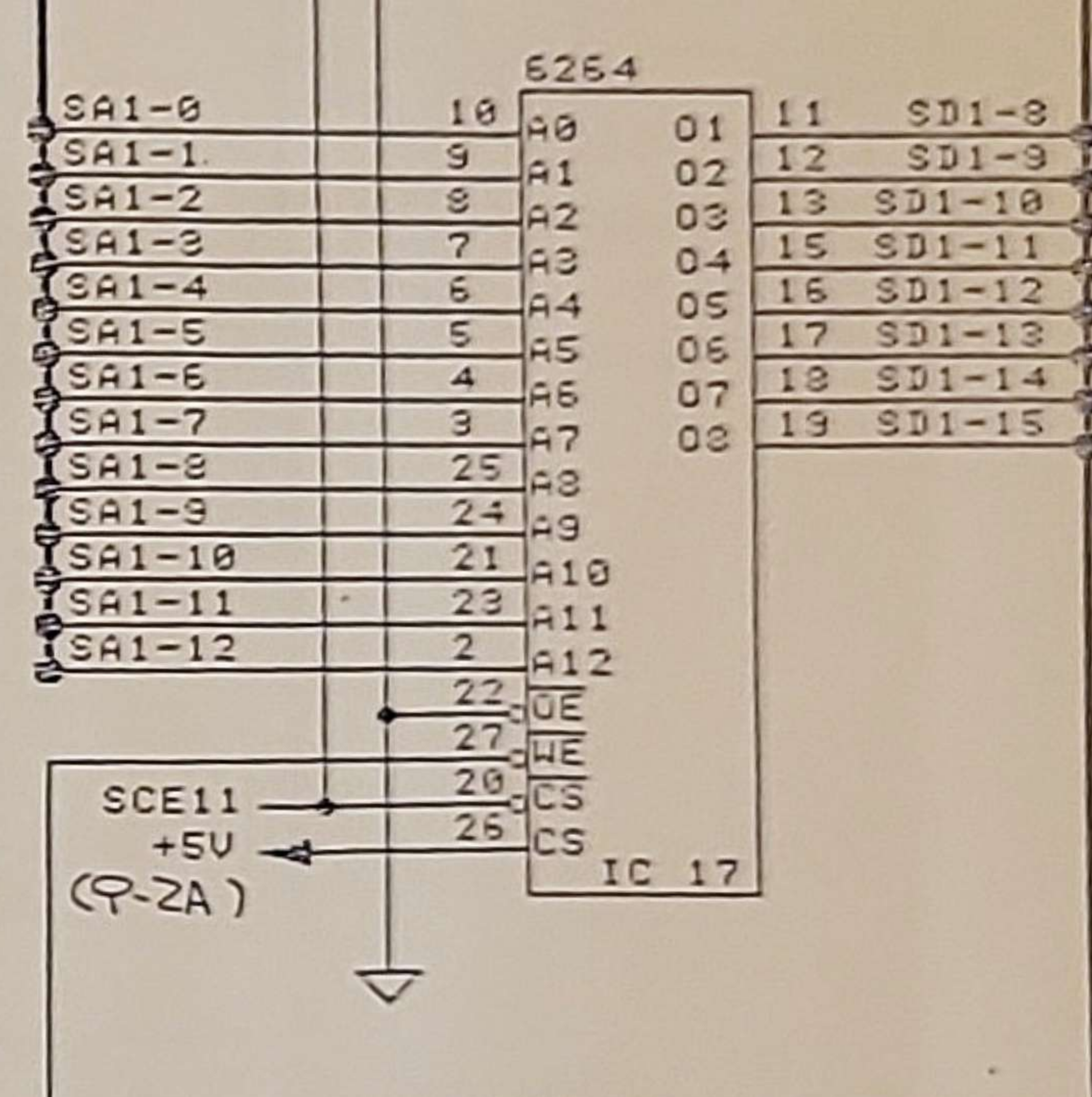
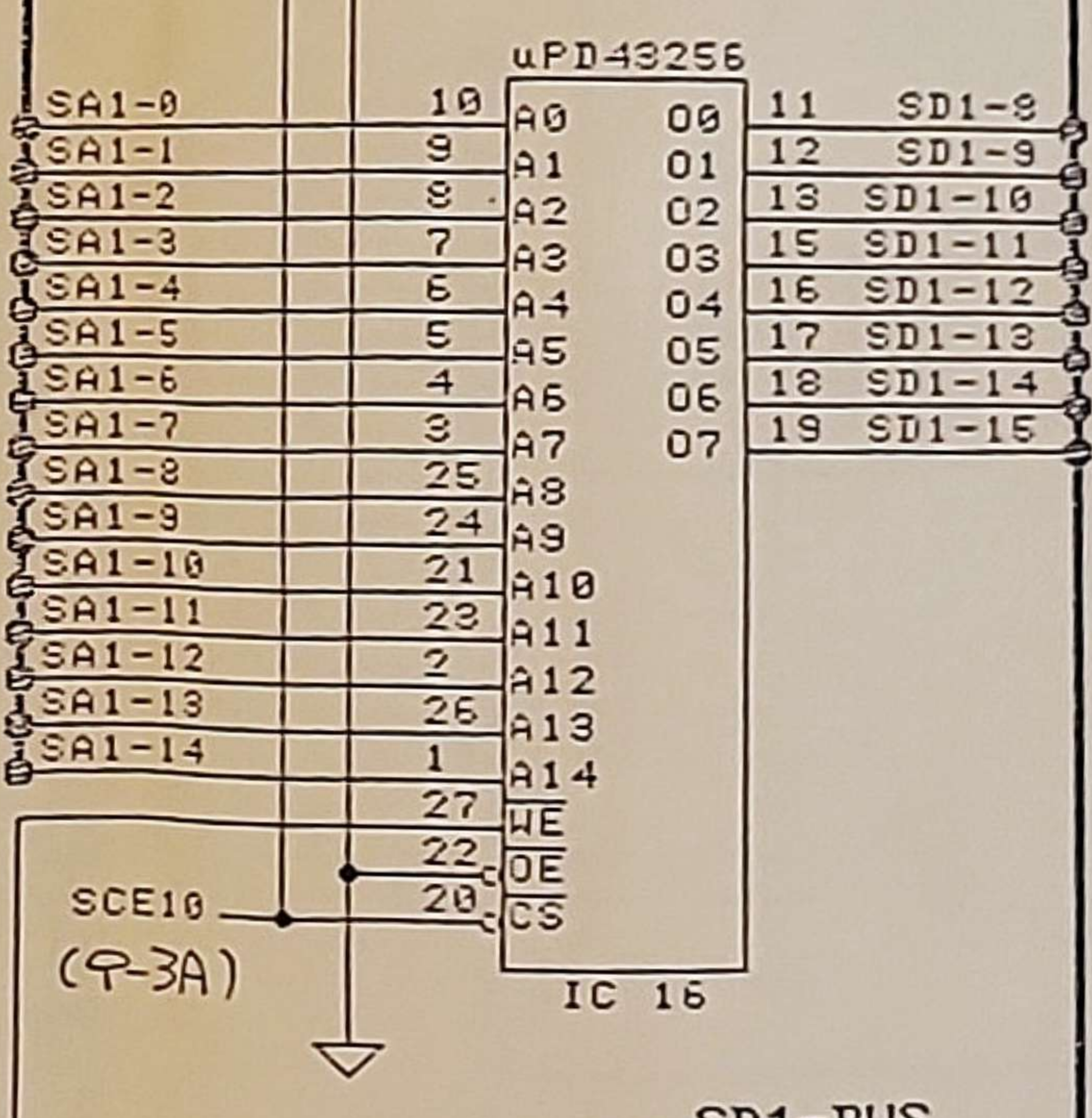
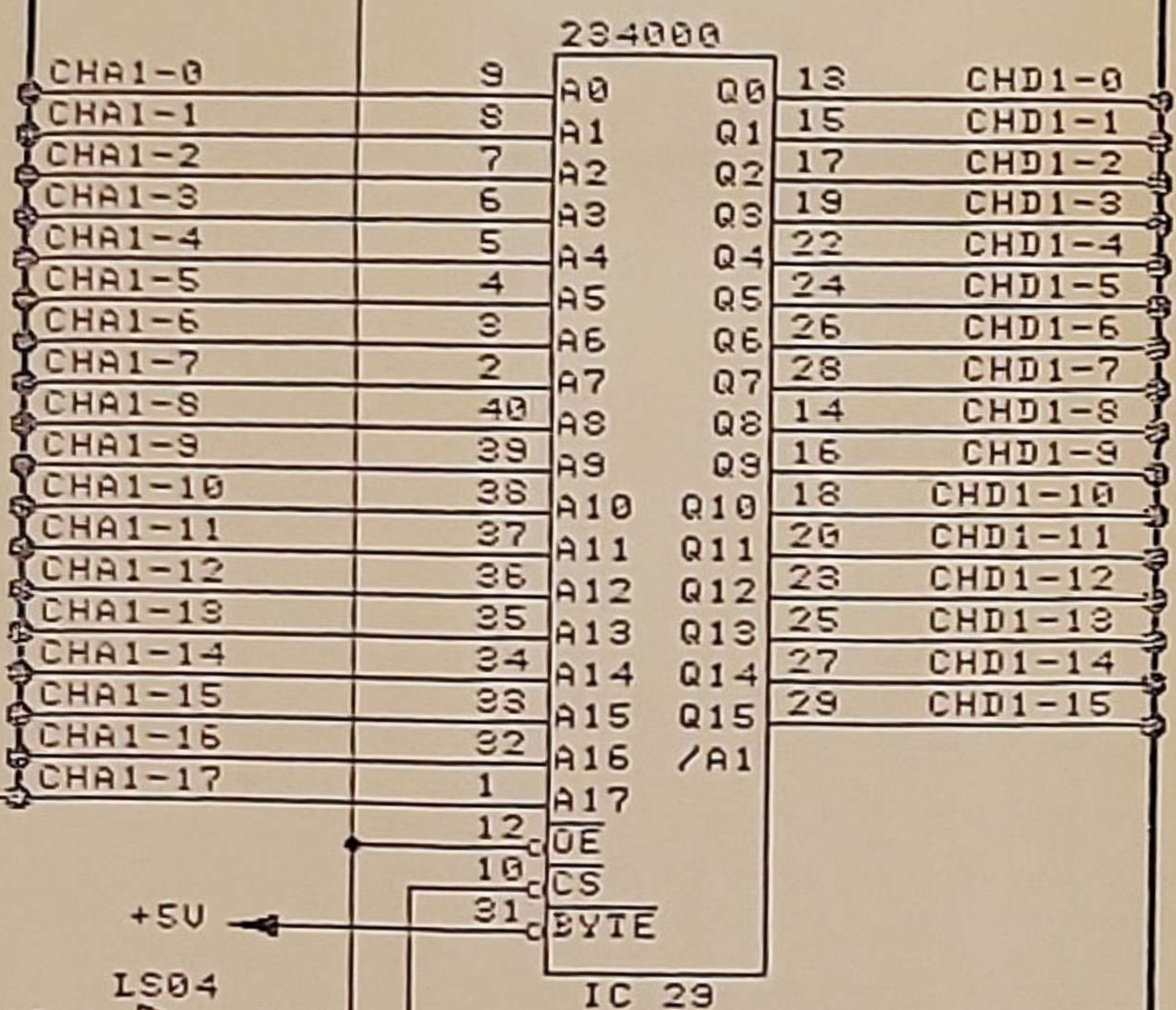
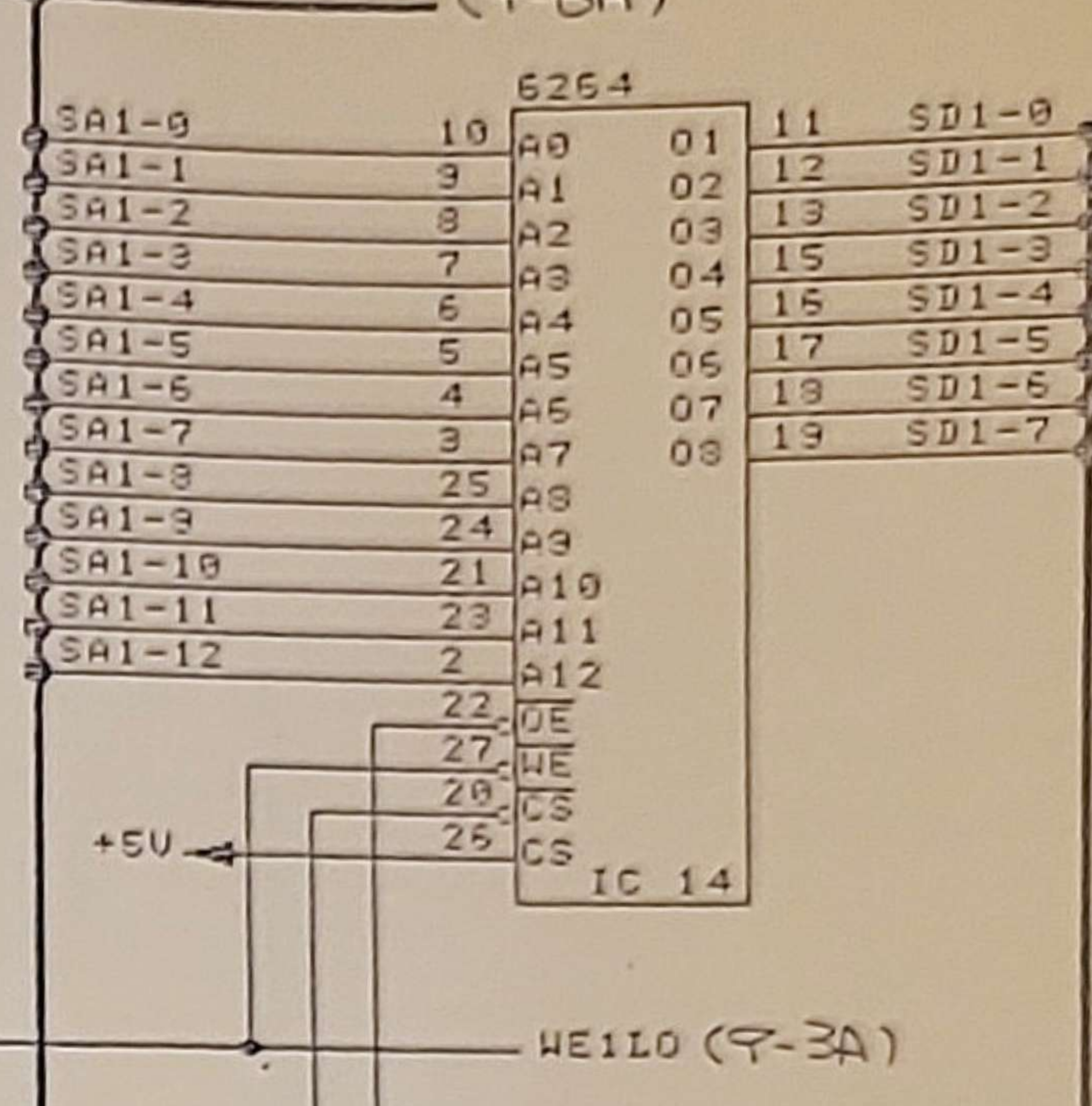
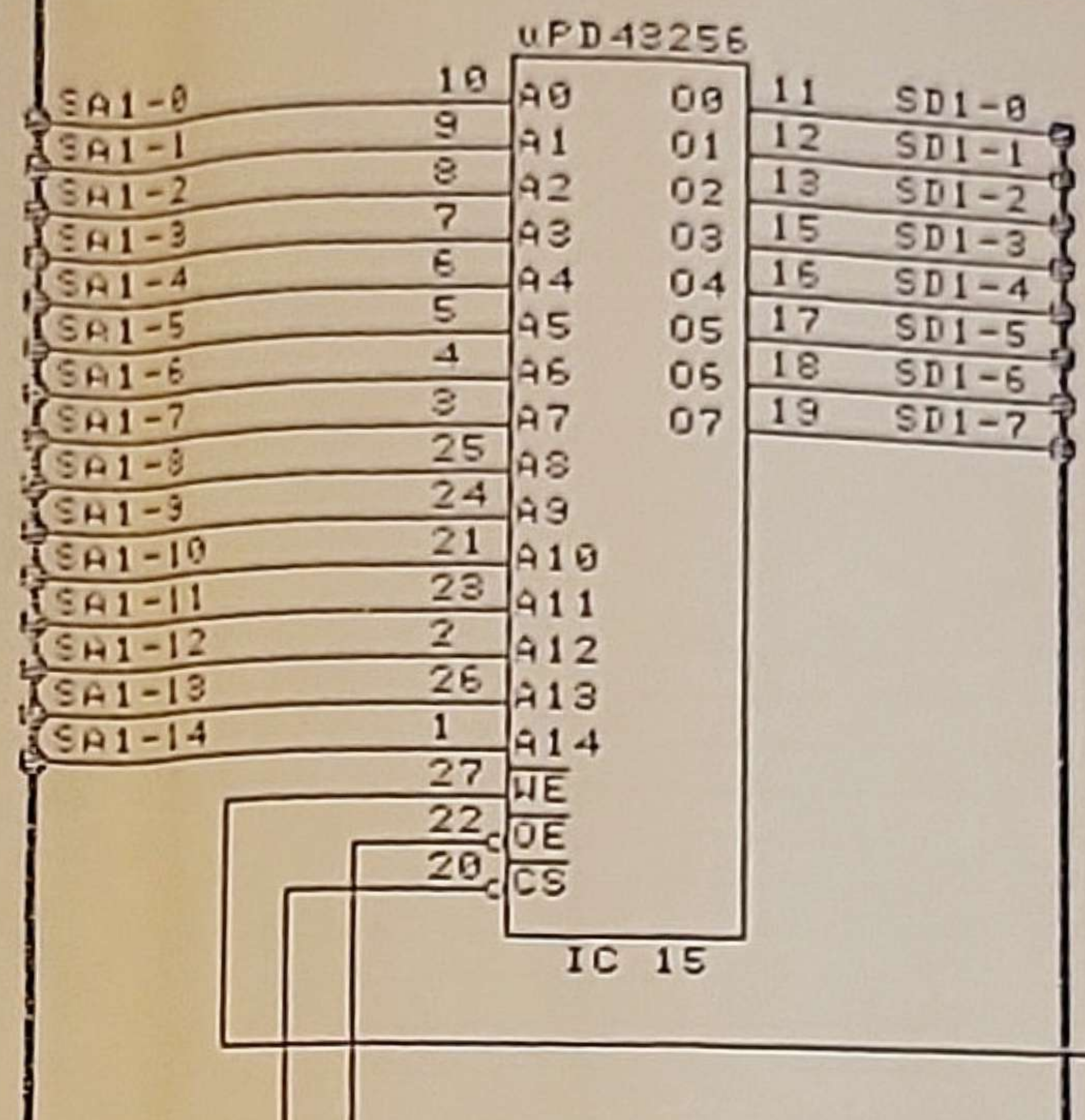
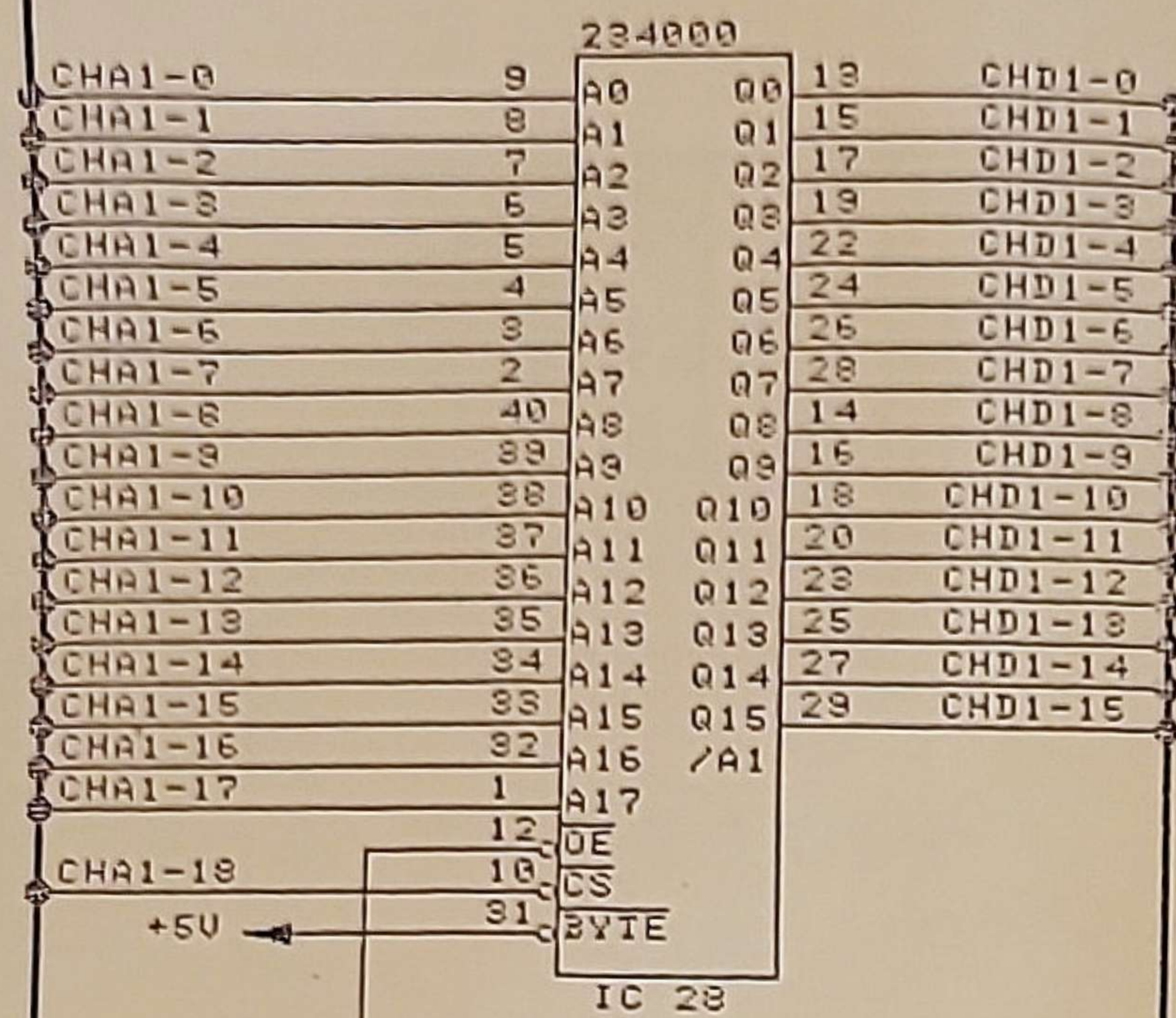
SC0	47	SC1-0
SC1	48	SC1-1
SC2	49	SC1-2
SC3	51	SC1-3
SC4	52	SC1-4
SC5	53	SC1-5
SC6	54	SC1-6
SC7	55	SC1-7
SC8	56	SC1-8
SC9	57	SC1-9
SC10	58	SC1-10
SC11	61	SC1-11
SC12	62	SC1-12
SC13	63	SC1-13
SC14	64	SC1-14

SC1-BUS
(11-7D)



CHA1-BUS (9-6D)

SA1-BUS (9-6A)



CHD1-BUS (9-2D)

SD1-BUS (9-5A)

SC1-BUS

(P-1c)

XD-BUS

(7-2A)

TC0110PR

100PIN FLAT

*** +5V *****

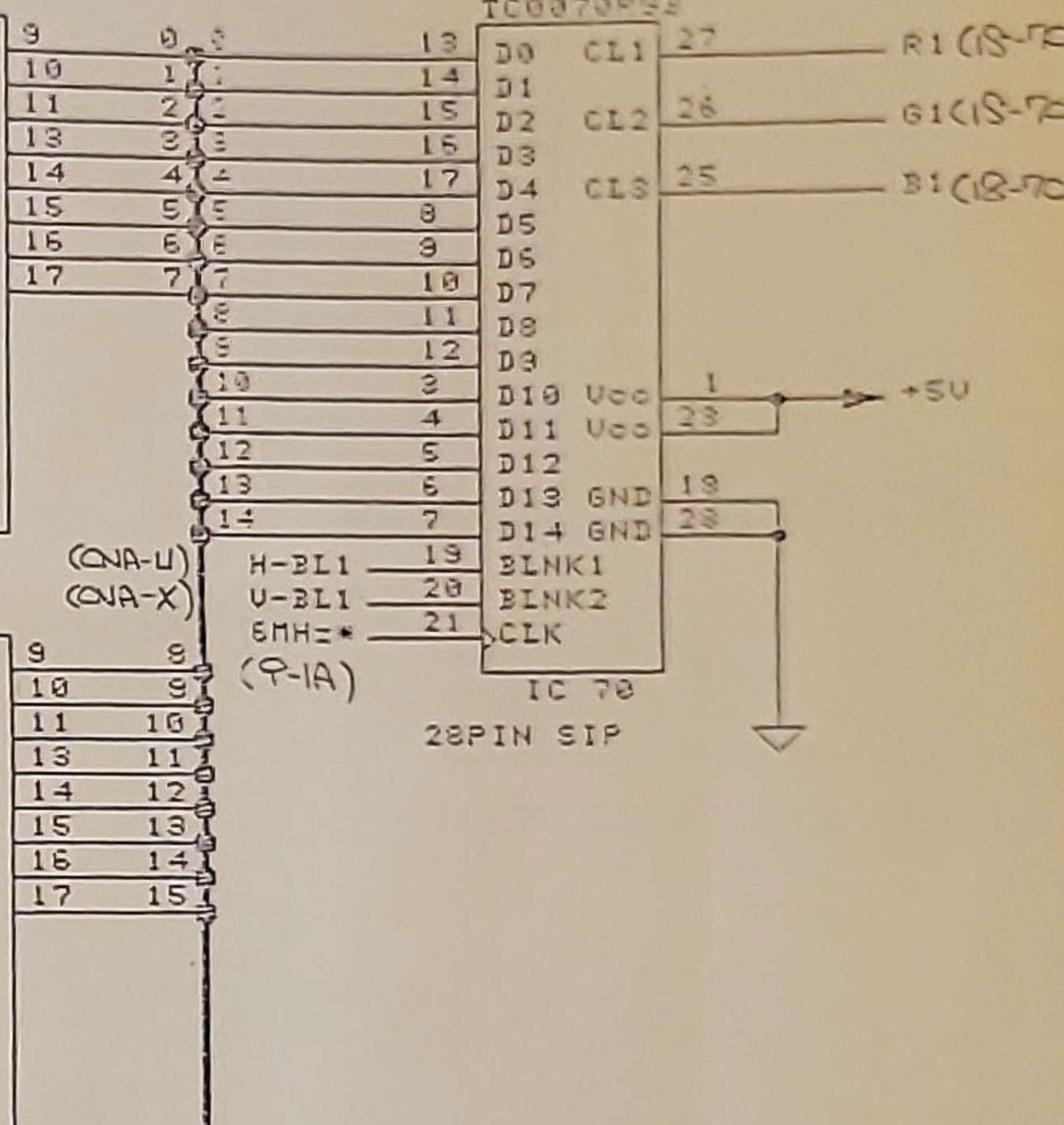
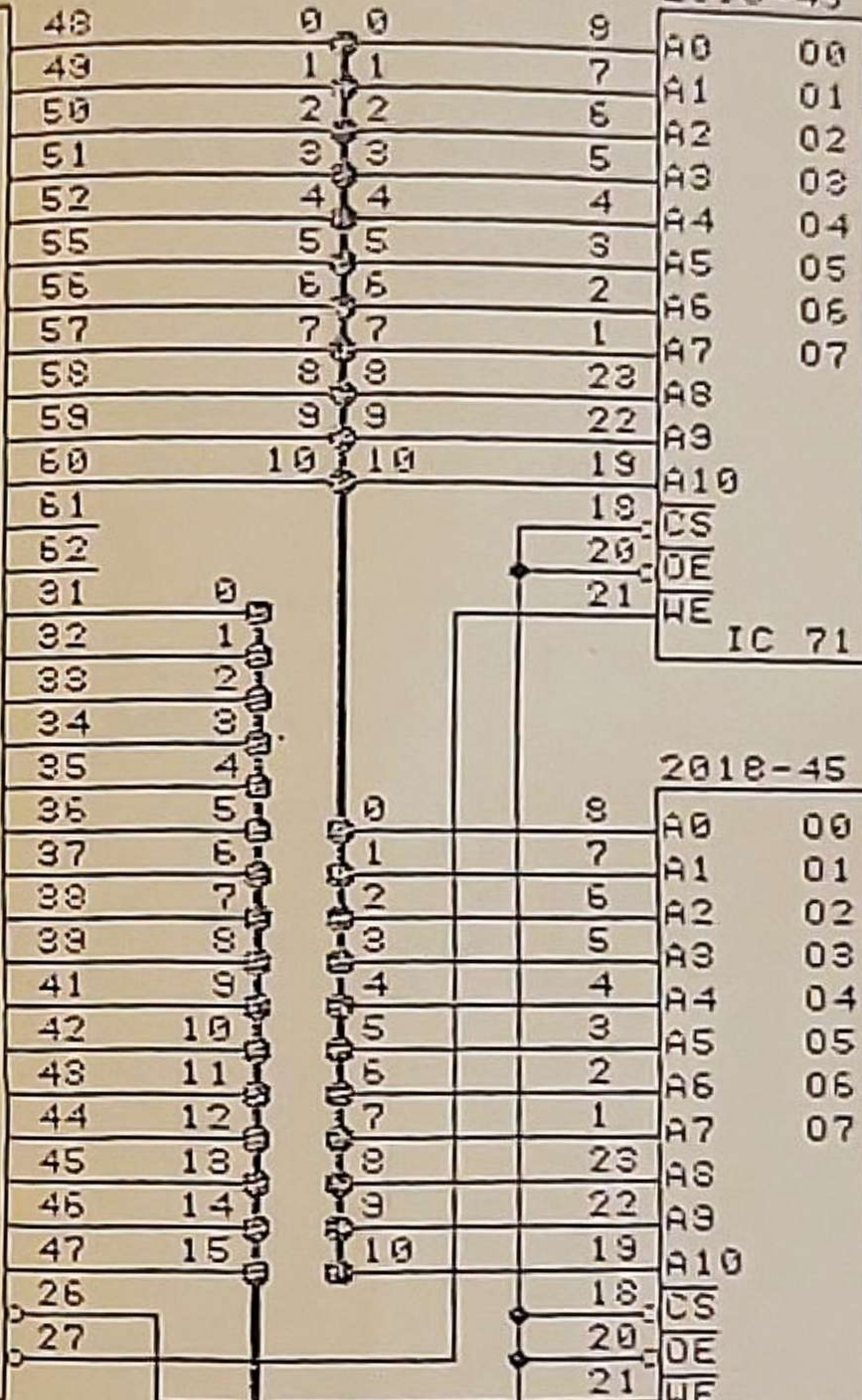
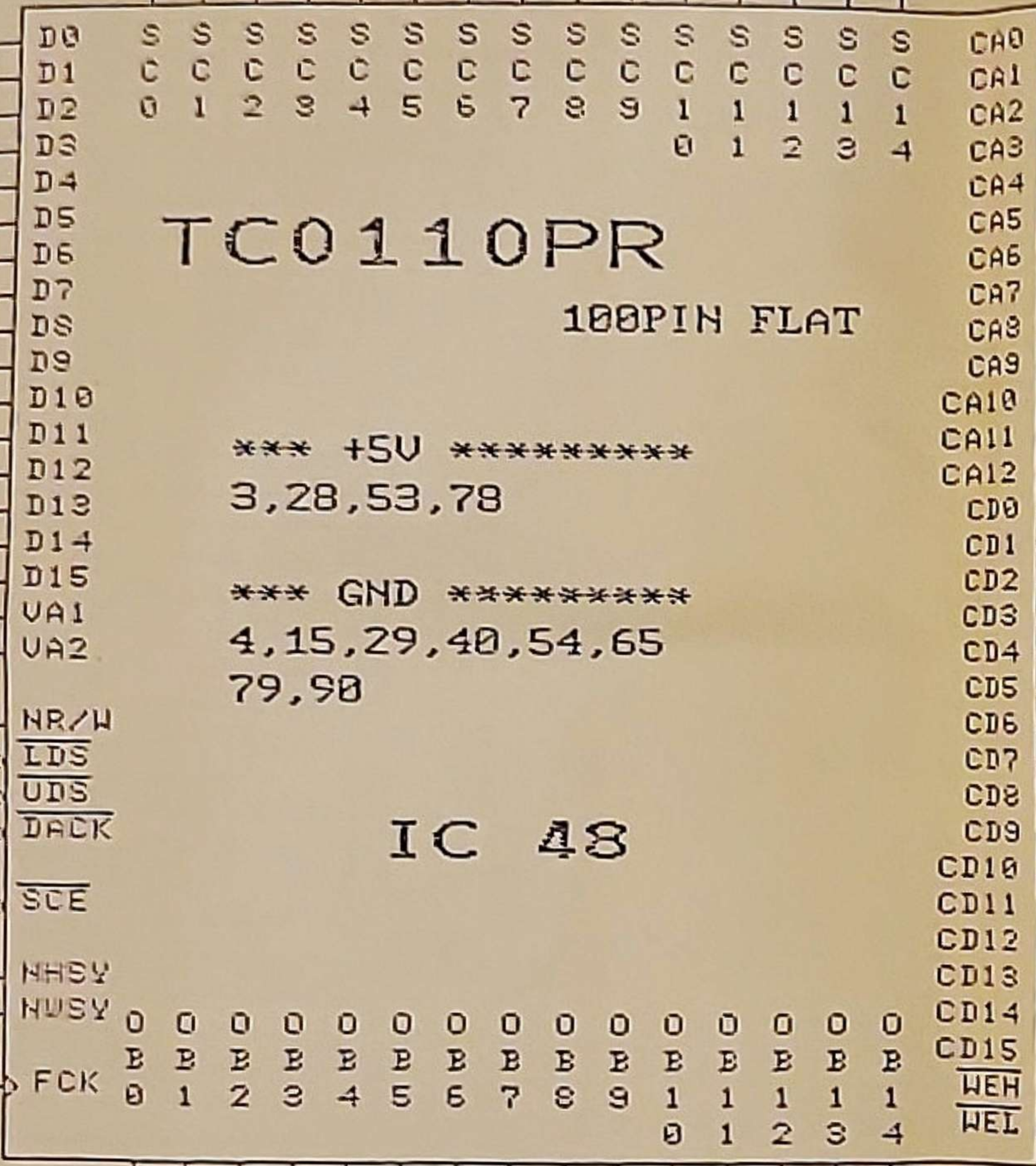
3,28,53,78

*** GND *****

4,15,29,40,54,65

79,90

IC 48



CRY1-BUS

(CNB)

PROJECT	TITLE	DESIGN	DRAWING DAYS	SIZE	TAITO CORPORATION	SHEET
	W5100248A	S. Tsuchida	1.19.88	A3		11/21

CHAZ-BUS
(13-6D)

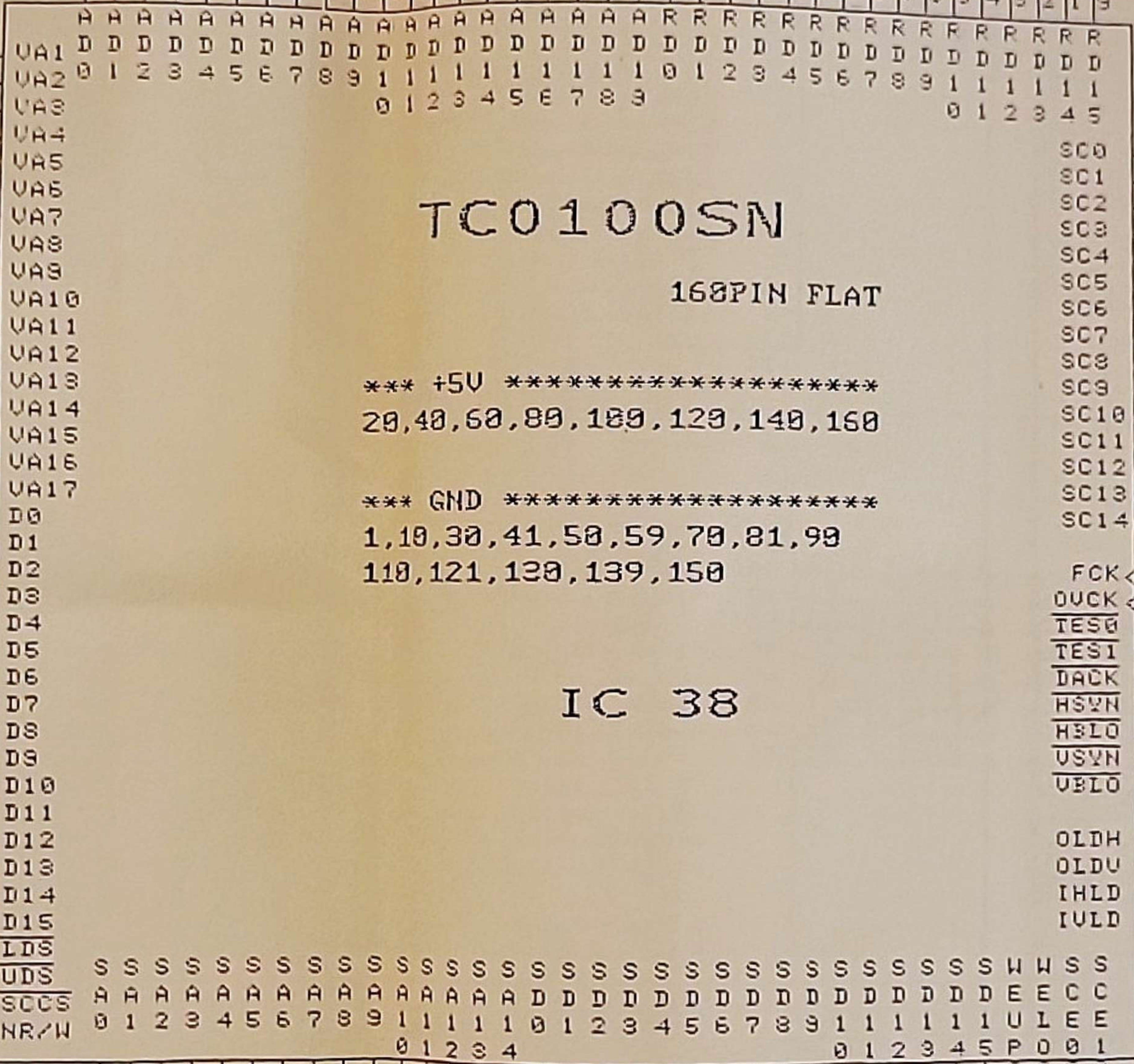
CHD2-BUS
(13-6A)

XA-BUS
(7-4D)

XD-BUS
(7-2A)

(7-4C) XLDS
(7-4C) XUDS
(8-6D) SCR2
(7-4B) XR/W

XA1	4	UA1
XA2	5	UA2
XA3	5	UA3
XA4	7	UA4
XA5	8	UA5
XA6	9	UA6
XA7	11	UA7
XA8	12	UA8
XA9	13	UA9
XA10	14	UA10
XA11	15	UA11
XA12	16	UA12
XA13	17	UA13
XA14	18	UA14
XA15	19	UA15
XA16	21	UA16
XA17	22	UA17
XD0	23	D0
XD1	24	D1
XD2	25	D2
XD3	26	D3
XD4	27	D4
XD5	28	D5
XD6	29	D6
XD7	31	D7
XD8	32	D8
XD9	33	D8
XD10	34	D9
XD11	35	D11
XD12	36	D12
XD13	37	D13
XD14	38	D14
XD15	39	D15
XLDS	153	LDS
XUDS	153	UDS
SCR2	2	SCCS
XR/W	3	NR/W



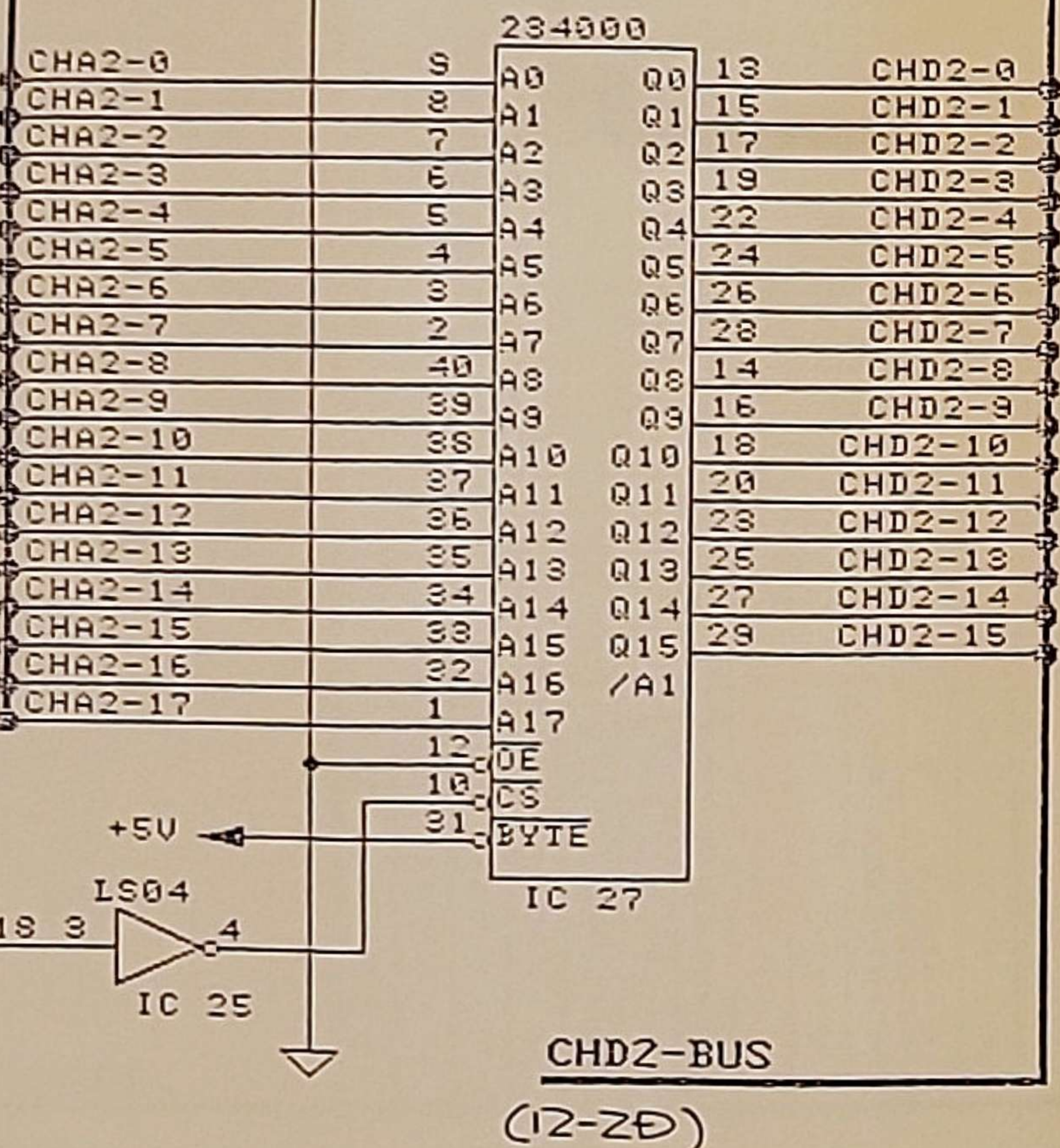
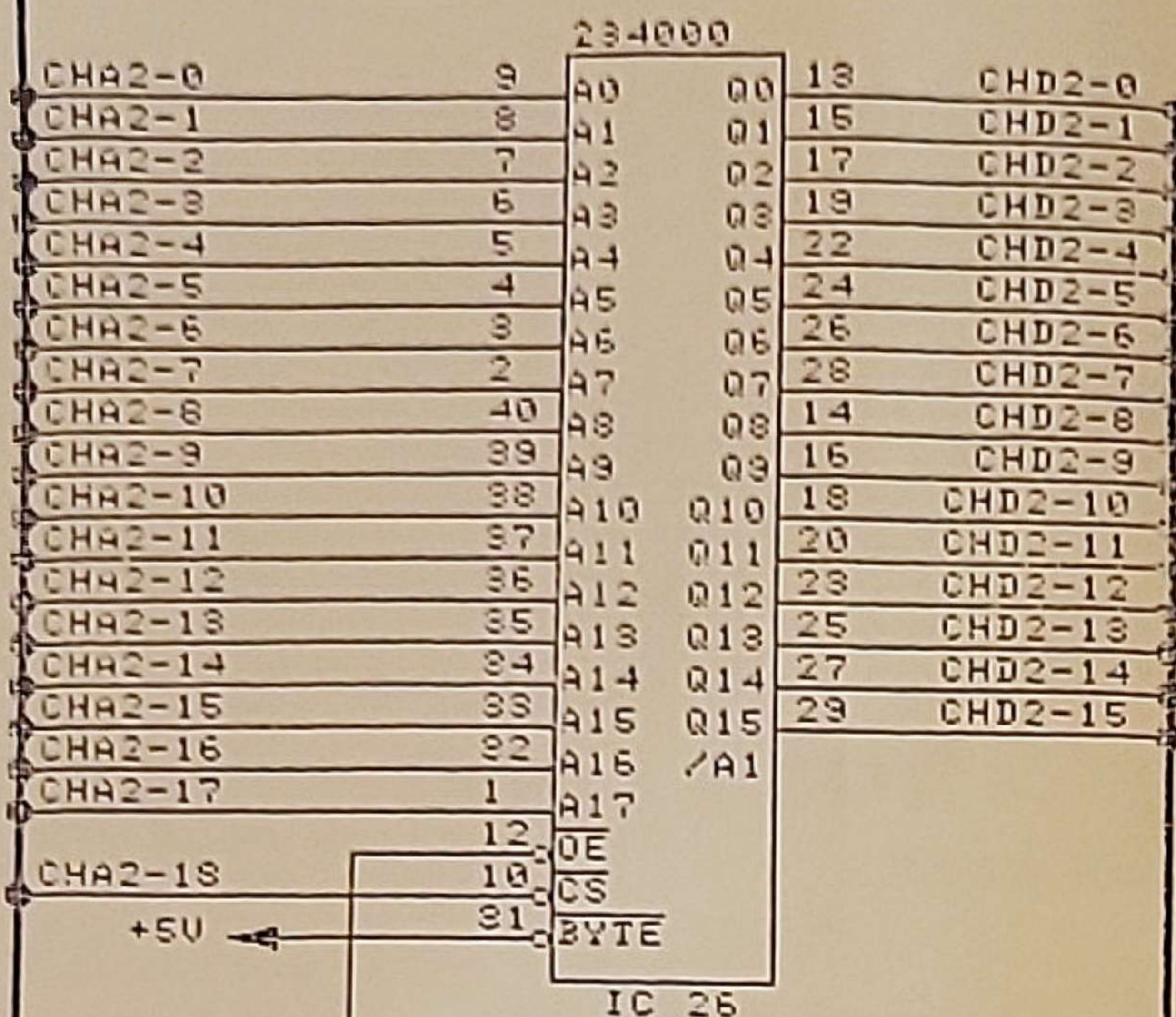
(13-2D) SA2-BUS

(13-4A) SD2-BUS

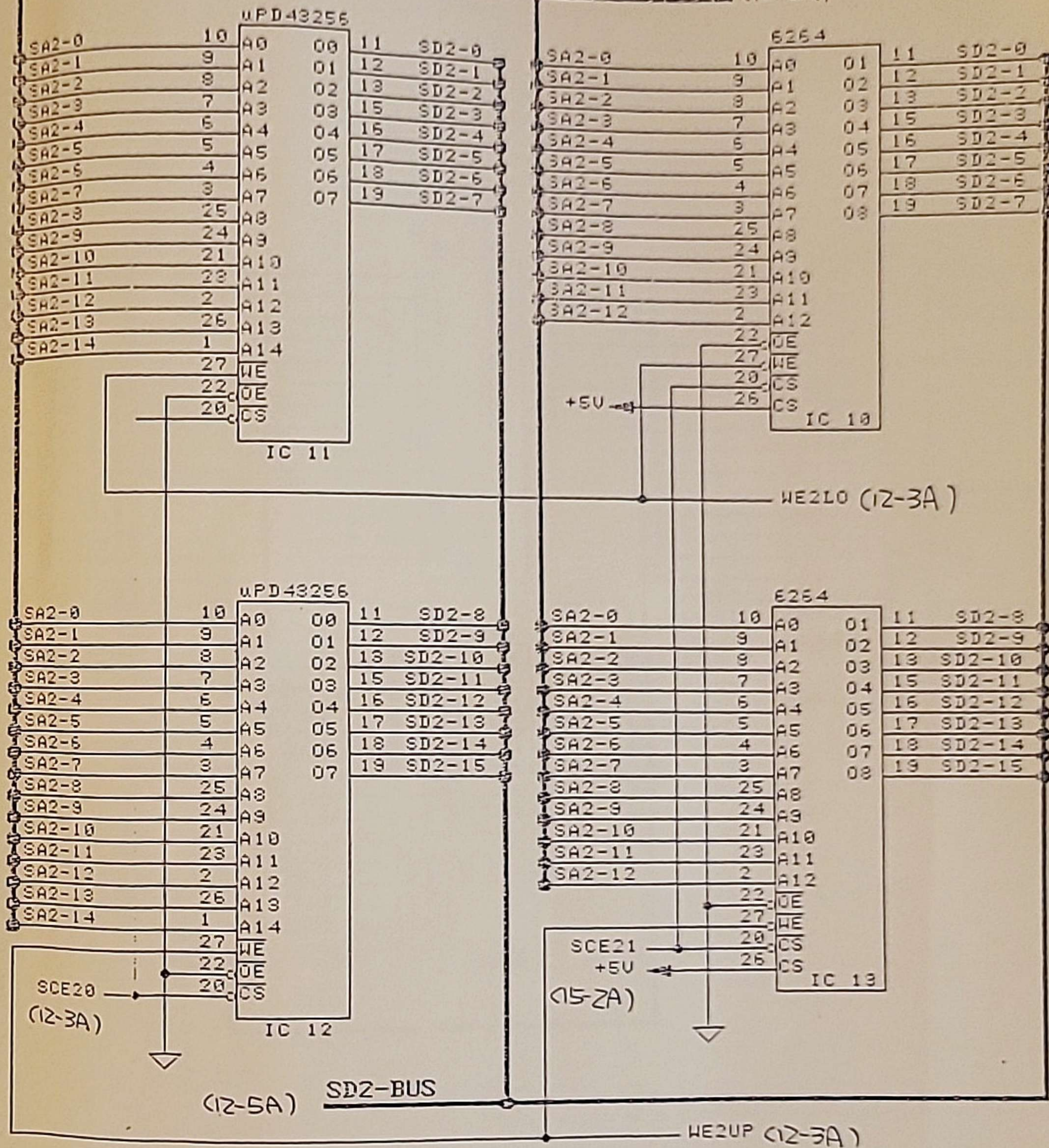
(SHEET 13)

PROJECT	TITLE	DESIGN	DRWING DAYS	SIZE	TAITO CORPORATION	SHEET
	W5100248A	S. Tsuchida	1. 19. 88'	A3		12/21

CHA2-BUS (12-6P)



SA2-BUS (12-6A)

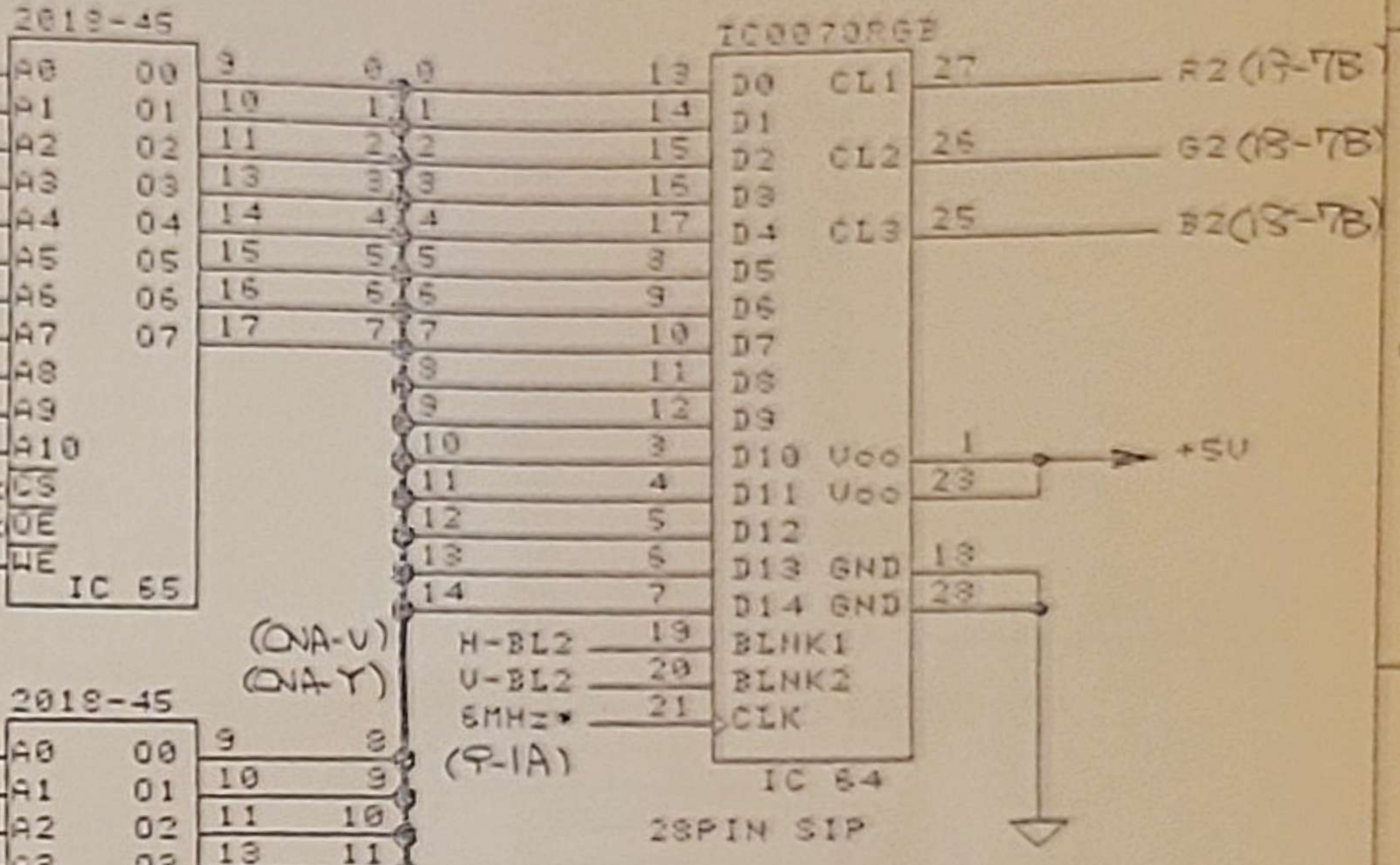
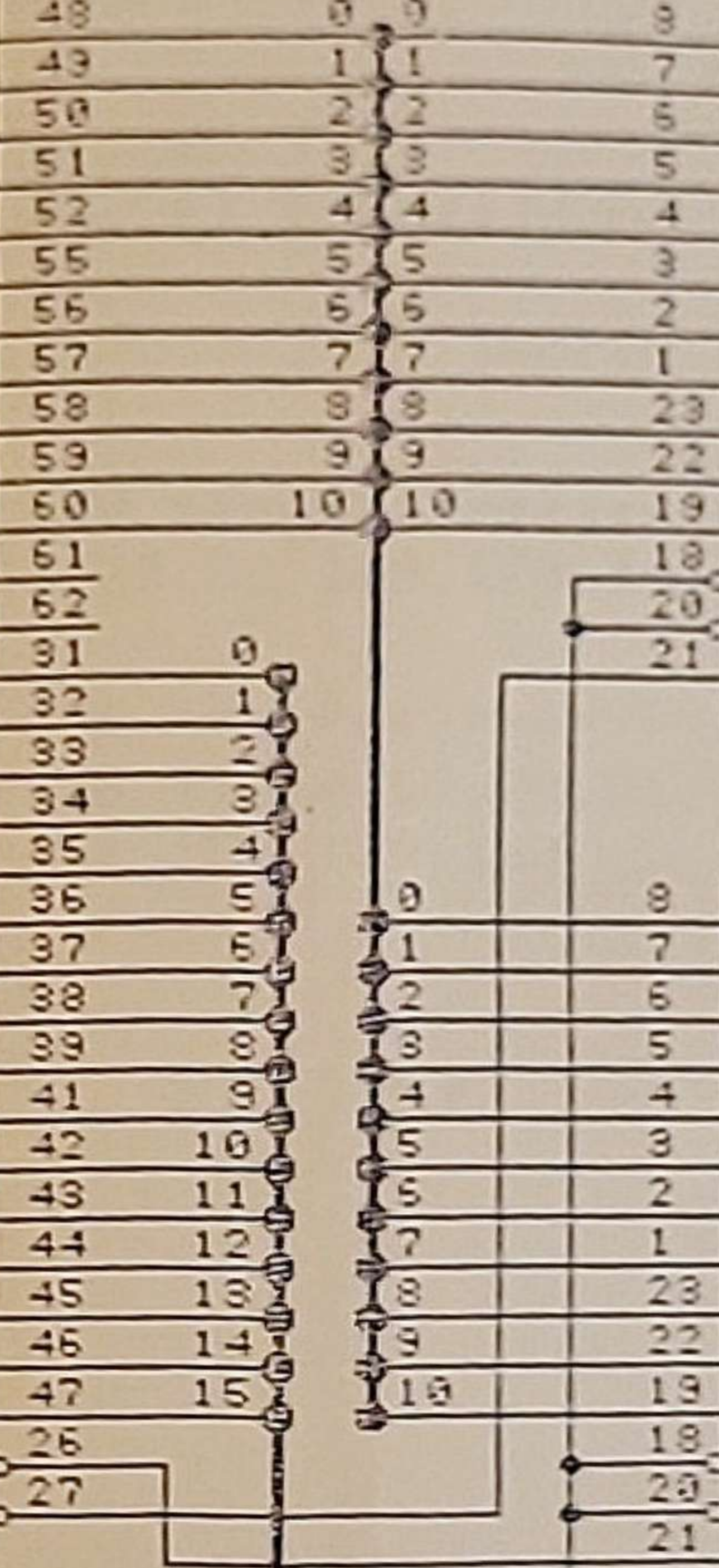
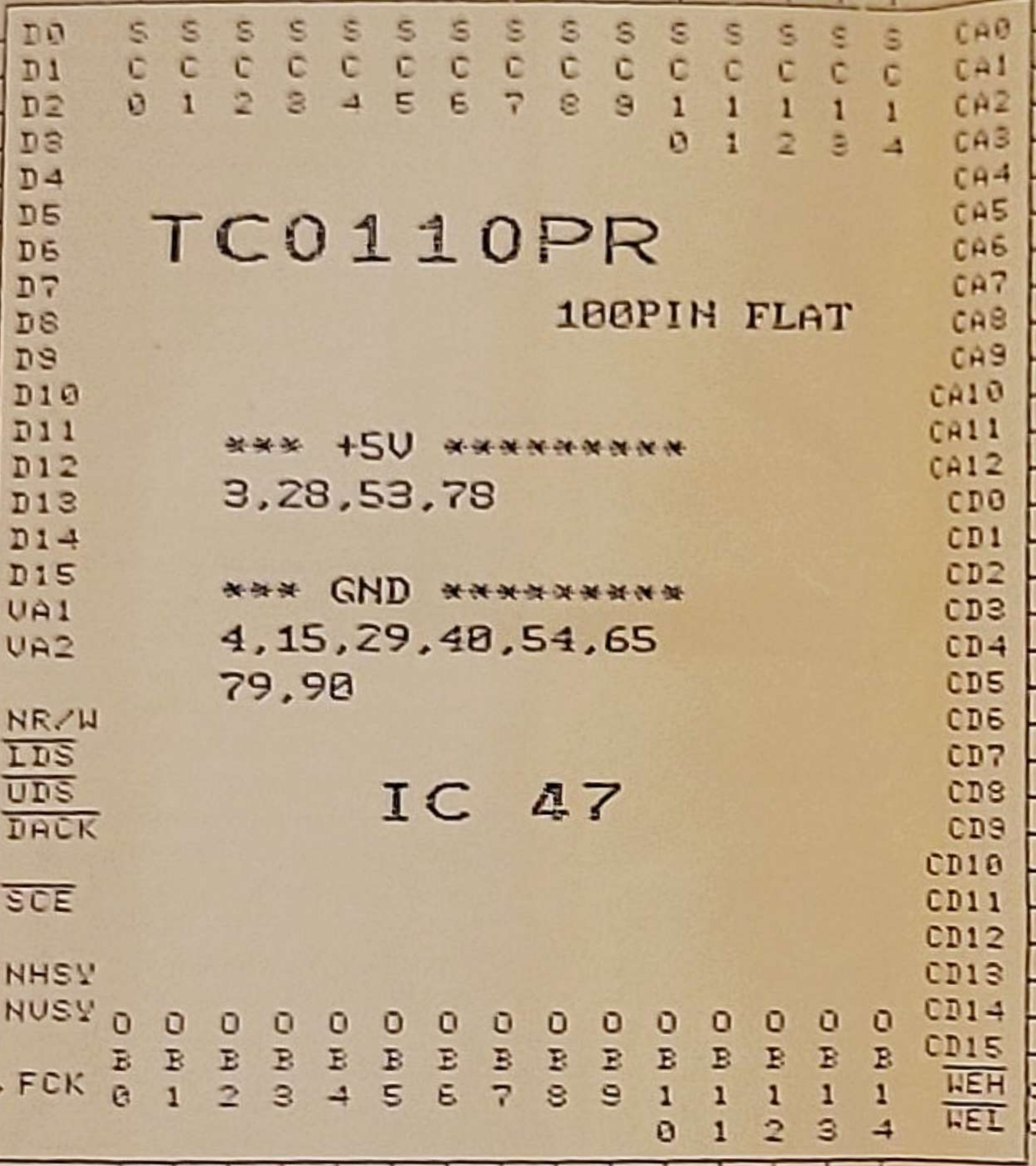
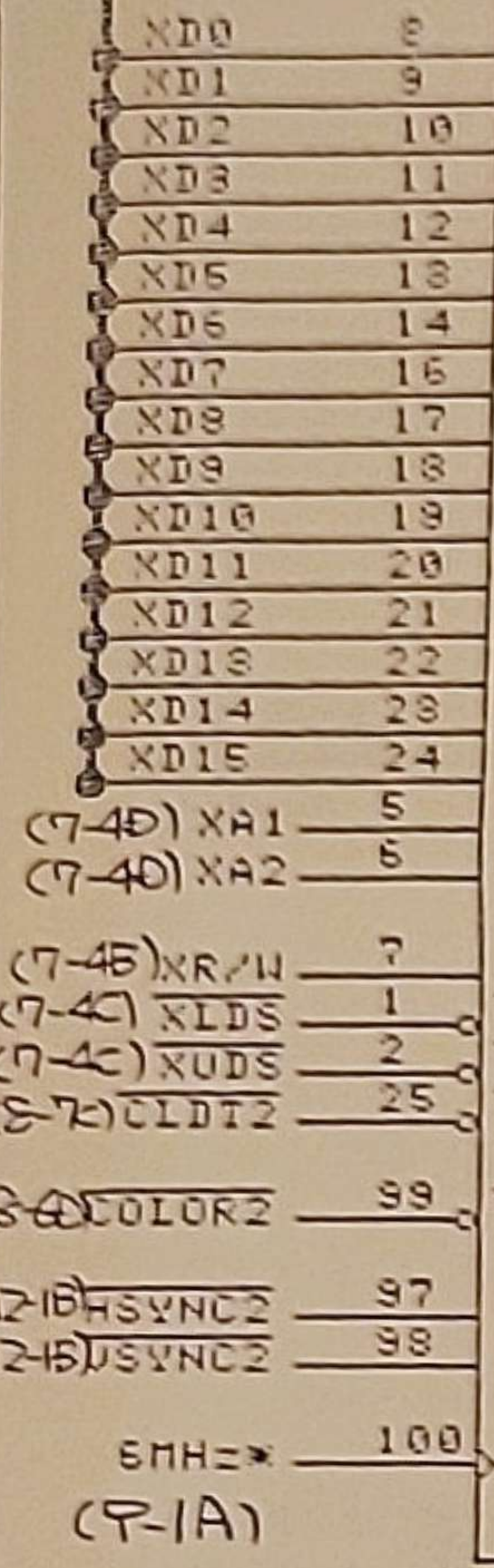


SC2-BUS

(12-1C)

XD-BUS

(7-2A)



CRY2-BUS

(12-1B)

PROJECT	TITLE	DESIGN	DRAWING DAYS	SIZE	TAITO CORPORATION	SHEET
	W5100248A	S. Tsuchida	1.19.88'	A3		14/21

CHA3-BUS
(16-6D)

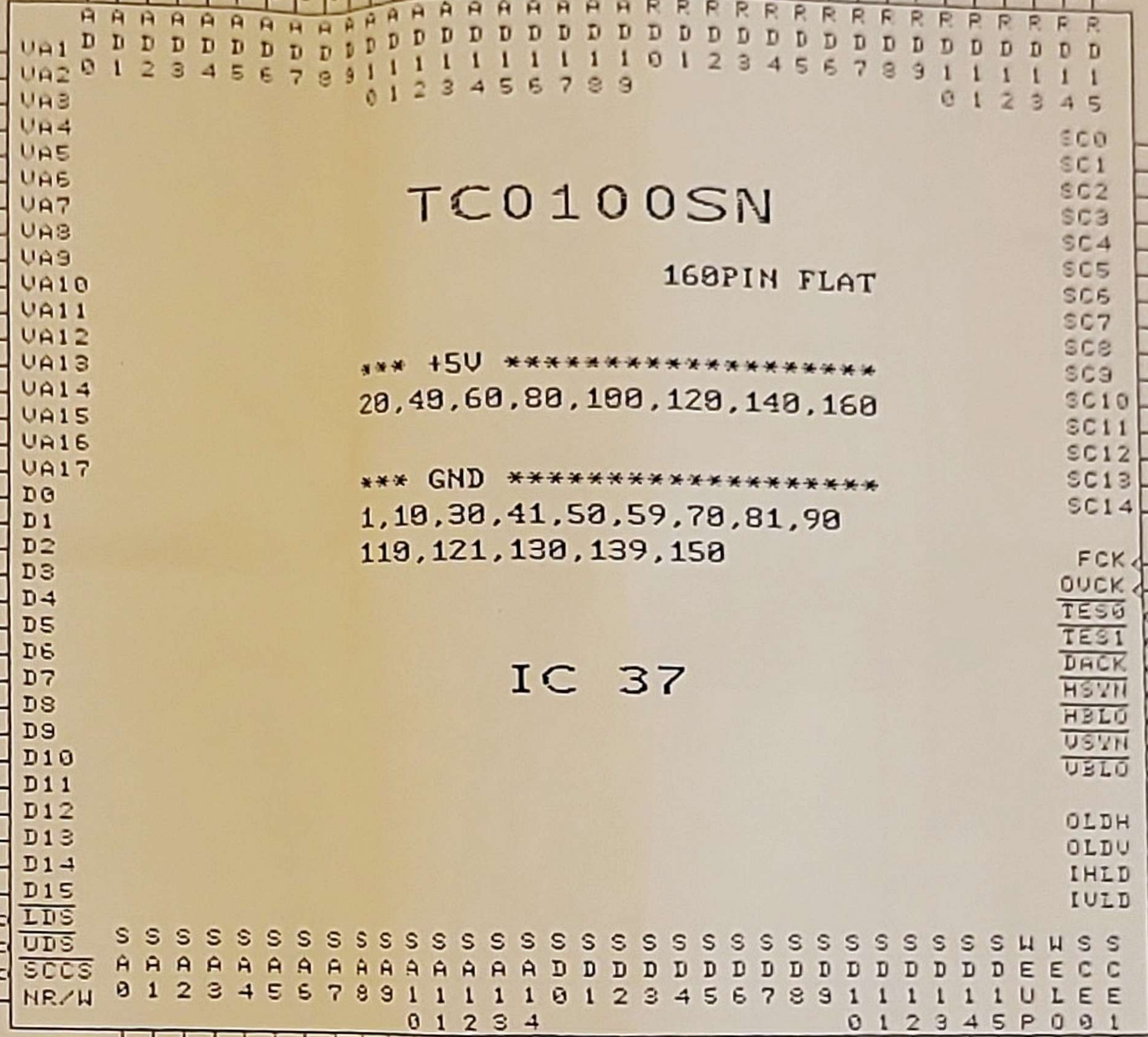
CHD3-BUS
(16-6A)

XA-BUS
(7-4D)

XD-BUS
(7-2A)

(7-4C) XLDS
(7-4C) XUDS
(8-6D) SCR3
(7-4B) XR/W

XA1	4
XA2	5
XA3	6
XA4	7
XA5	8
XA6	9
XA7	11
XA8	12
XA9	13
XA10	14
XA11	15
XA12	16
XA13	17
XA14	18
XA15	19
XA16	21
XA17	22
XD0	23
XD1	24
XD2	25
XD3	26
XD4	27
XD5	28
XD6	29
XD7	31
XD8	32
XD9	33
XD10	34
XD11	35
XD12	36
XD13	37
XD14	38
XD15	39



SC0	47	SC3-0
SC1	48	SC3-1
SC2	49	SC3-2
SC3	51	SC3-3
SC4	52	SC3-4
SC5	53	SC3-5
SC6	54	SC3-5
SC7	55	SC3-7
SC8	56	SC3-8
SC9	57	SC3-9
SC10	58	SC3-10
SC11	61	SC3-11
SC12	62	SC3-12
SC13	63	SC3-13
SC14	64	SC3-14

FCK	153	12MHz (8-1A)
OUCK	65	
TES0	155	+5V
TES1	154	PRES (1-5B)
DACK	42	SCDT3 (8-7C)
HSVH	45	HSVNC3 (8-4C)(17-7B)
HBLO	46	
USVN	43	USVNC3 (8-4C)(17-7B)
UBLO	44	
OLDA	149	
OLDU	148	
IHLD	156	HLD (9-2B)
IULD	157	ULD (9-2B)

SA3-BUS
(16-2D)

(16-4A)

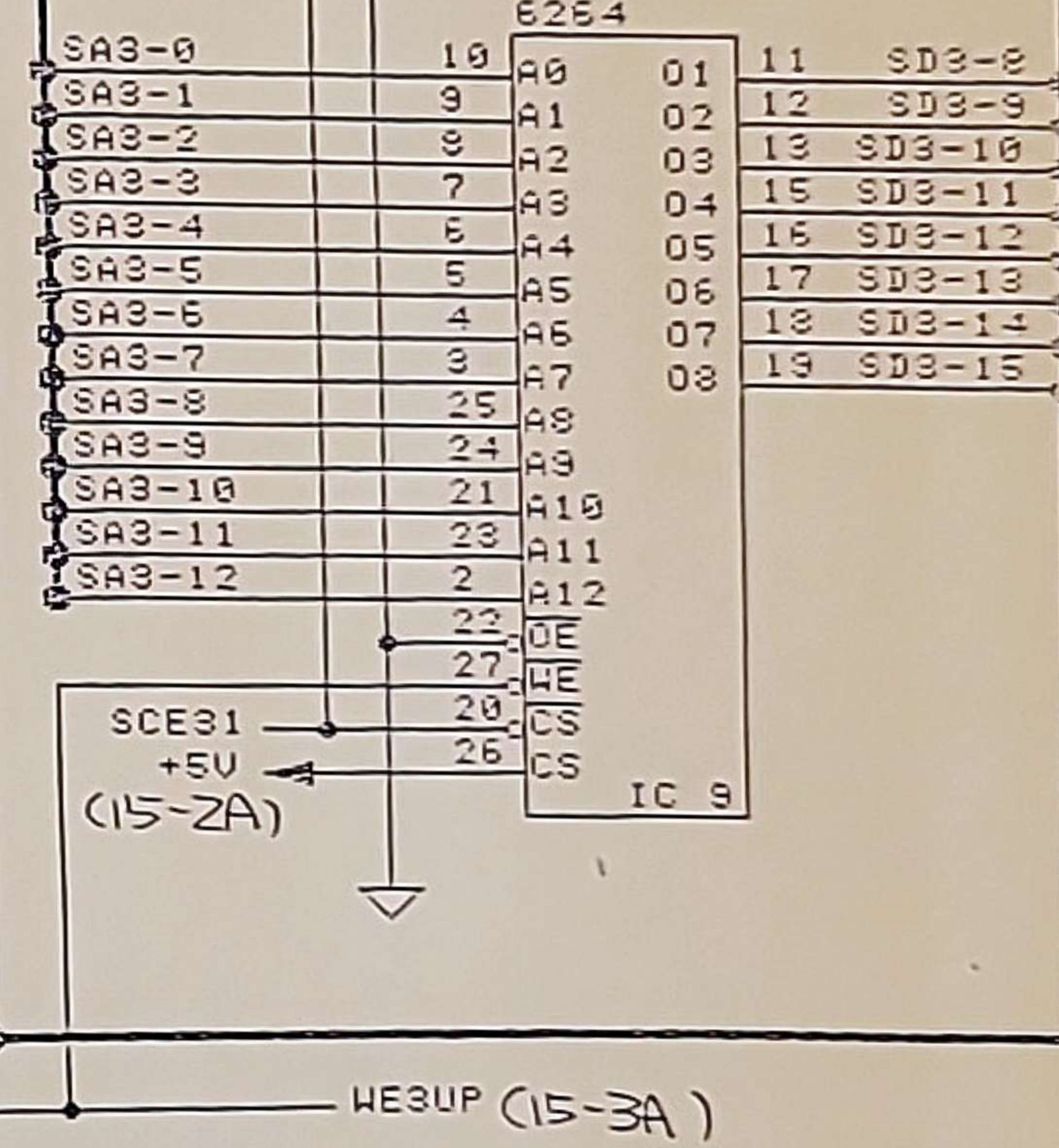
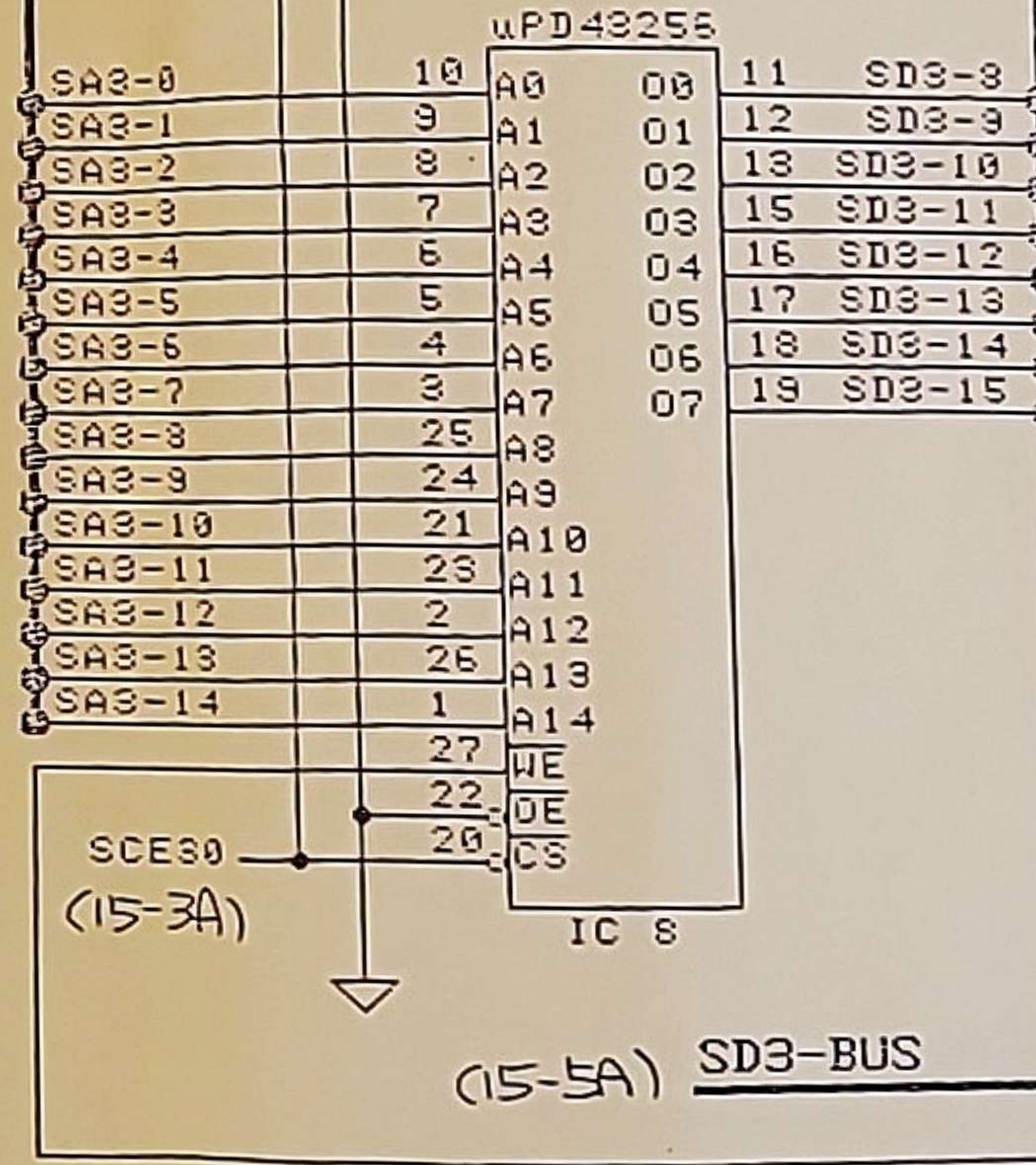
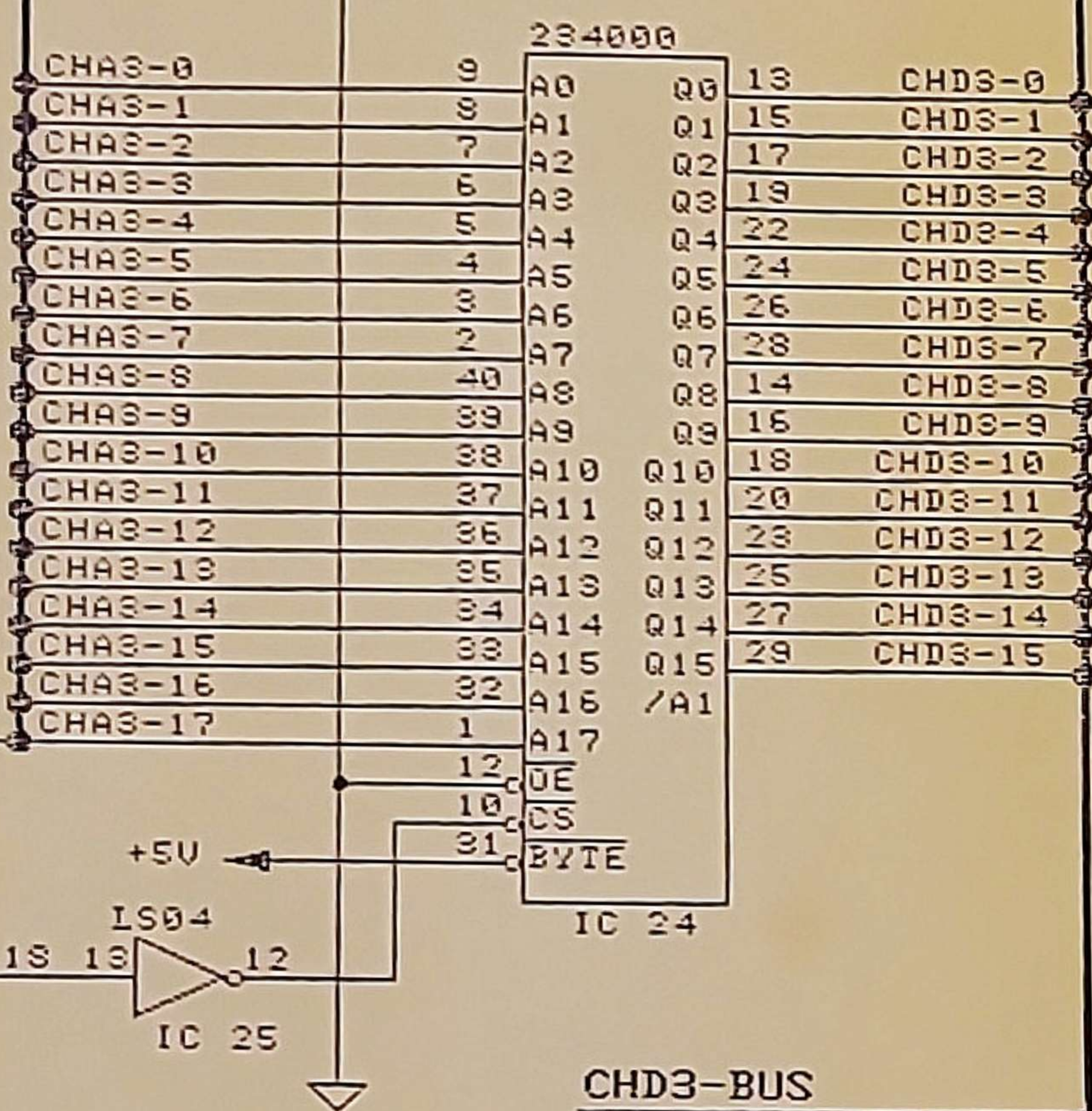
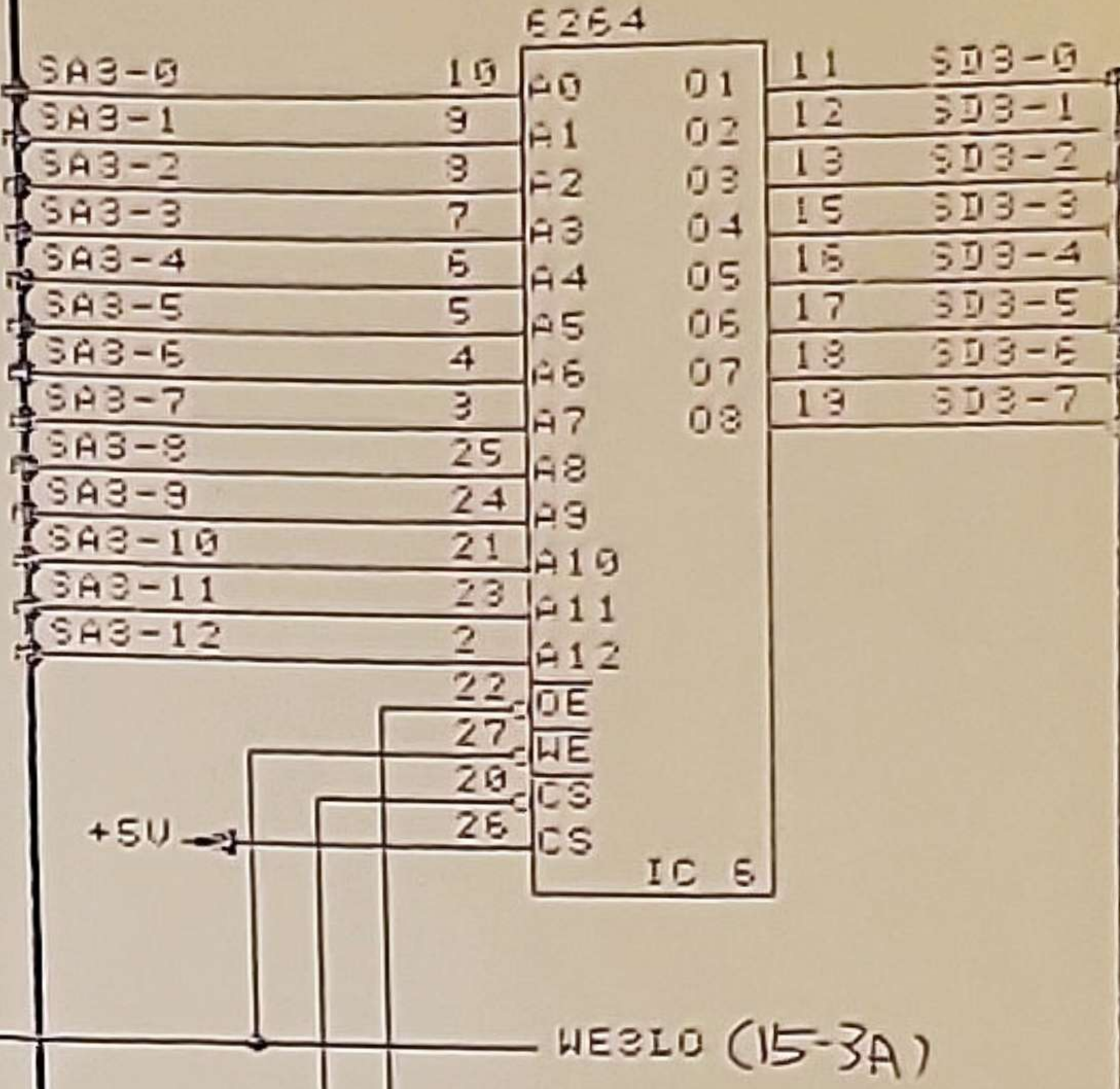
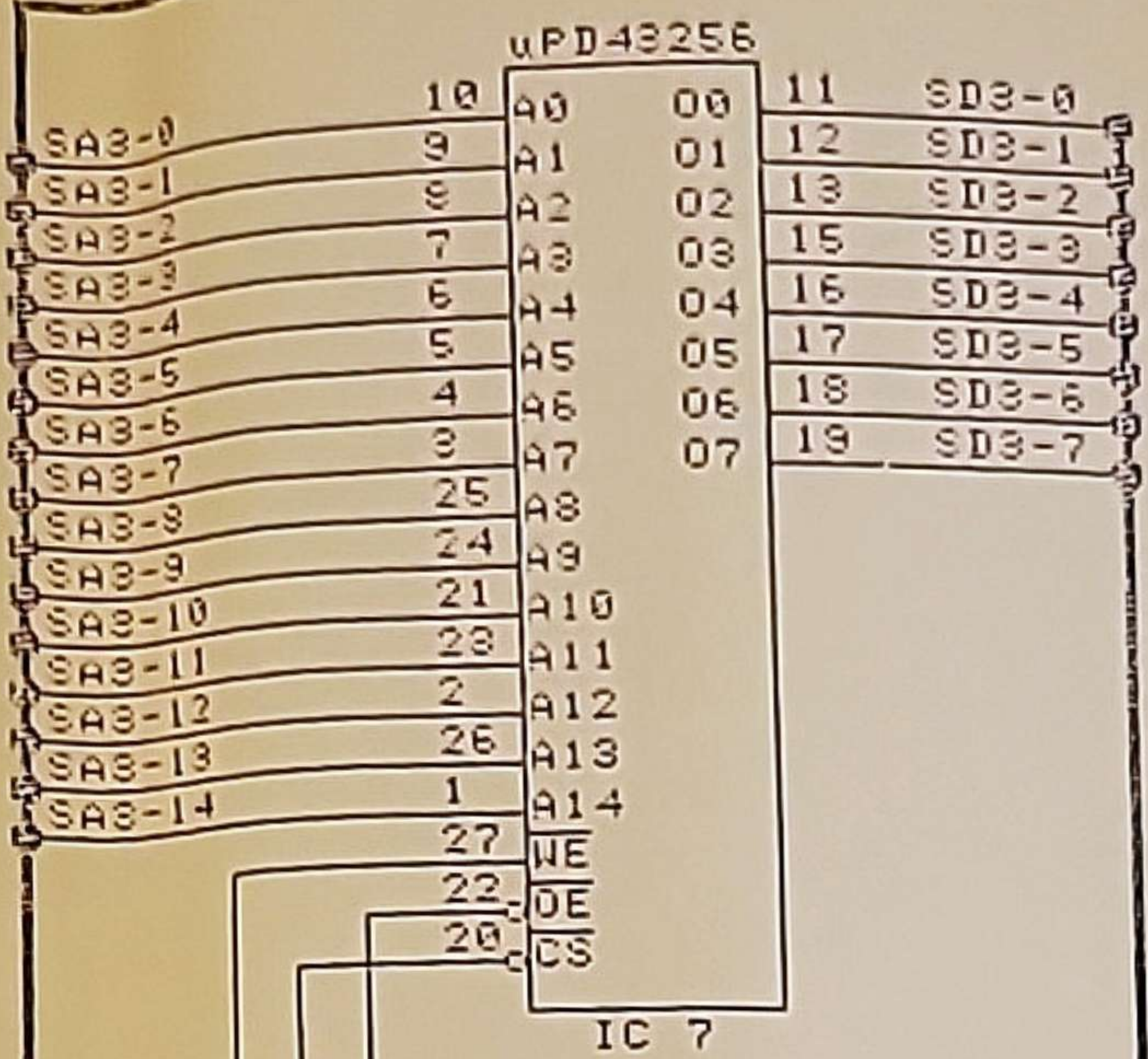
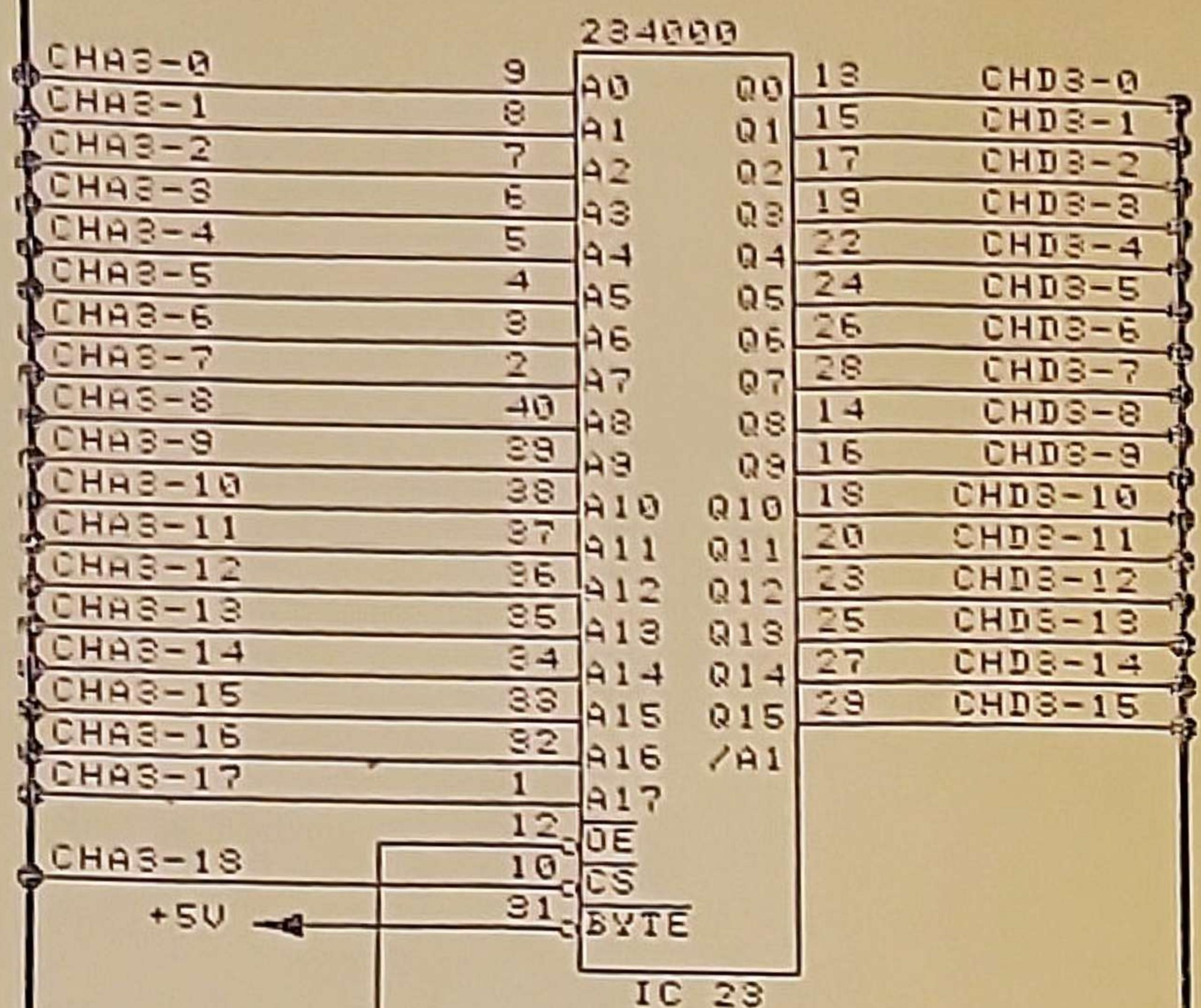
SD3-BUS

(SHEET 16)

PROJECT	TITLE	DESIGN	DRWING DAYS	SIZE	TAITO CORPORATION	SHEET
	W5100248A	S. Tsuchida	1.19.88'	A3		15/21

CHA3-BUS (15-6D)

SA3-BUS (15-6A)



CHD3-BUS (15-2D)

(15-5A) SD3-BUS

WE3UP (15-3A)