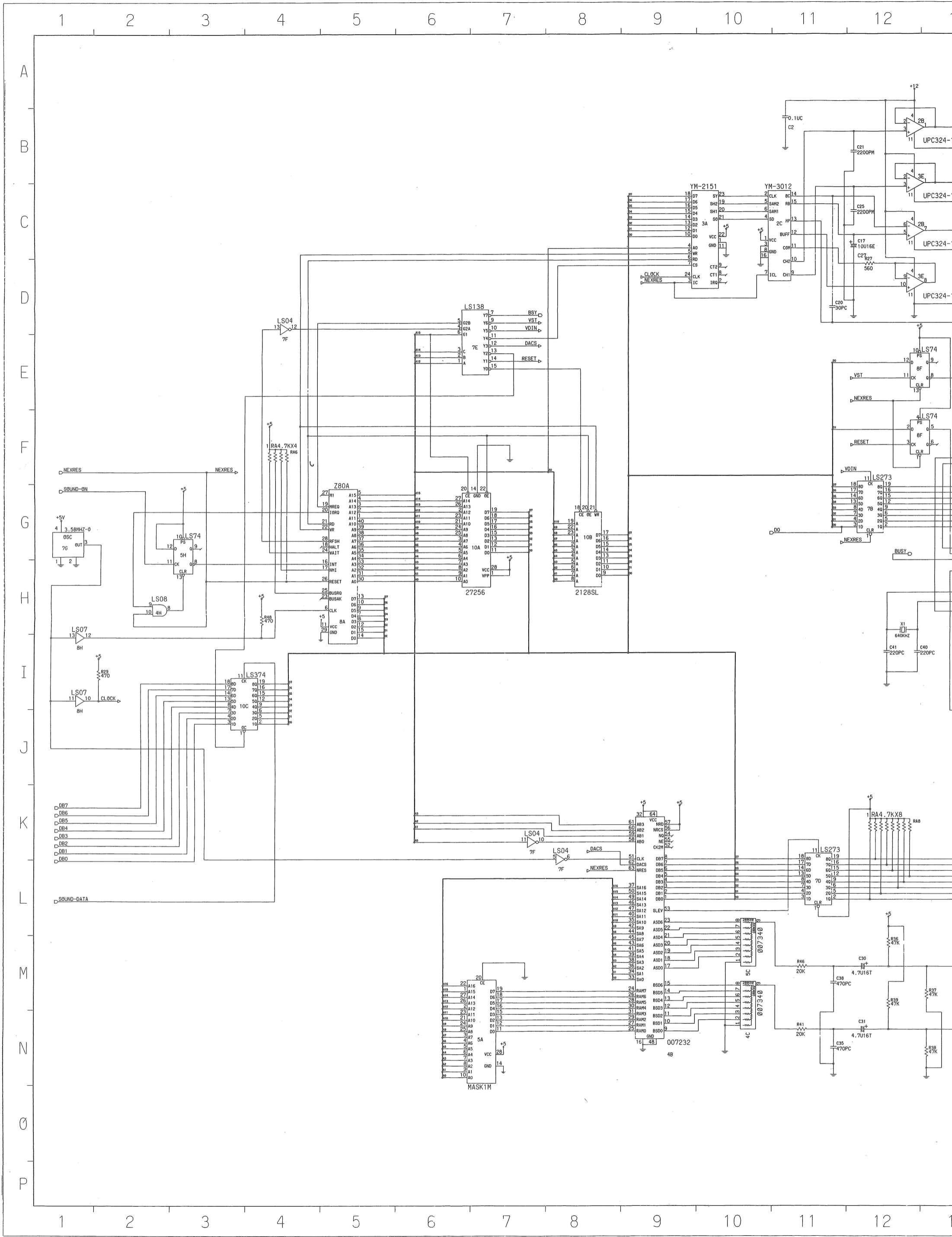
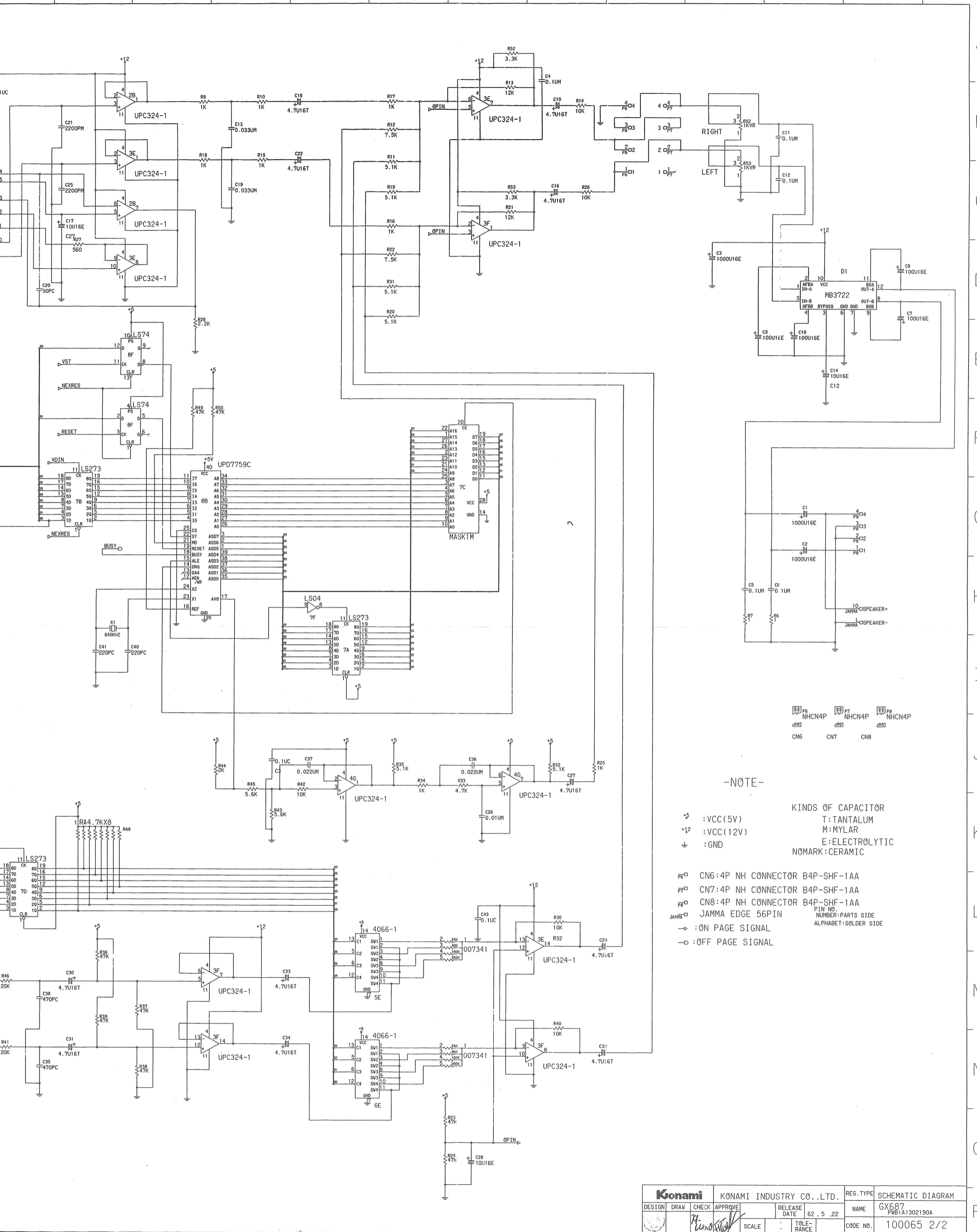


DARK ADVENTURE



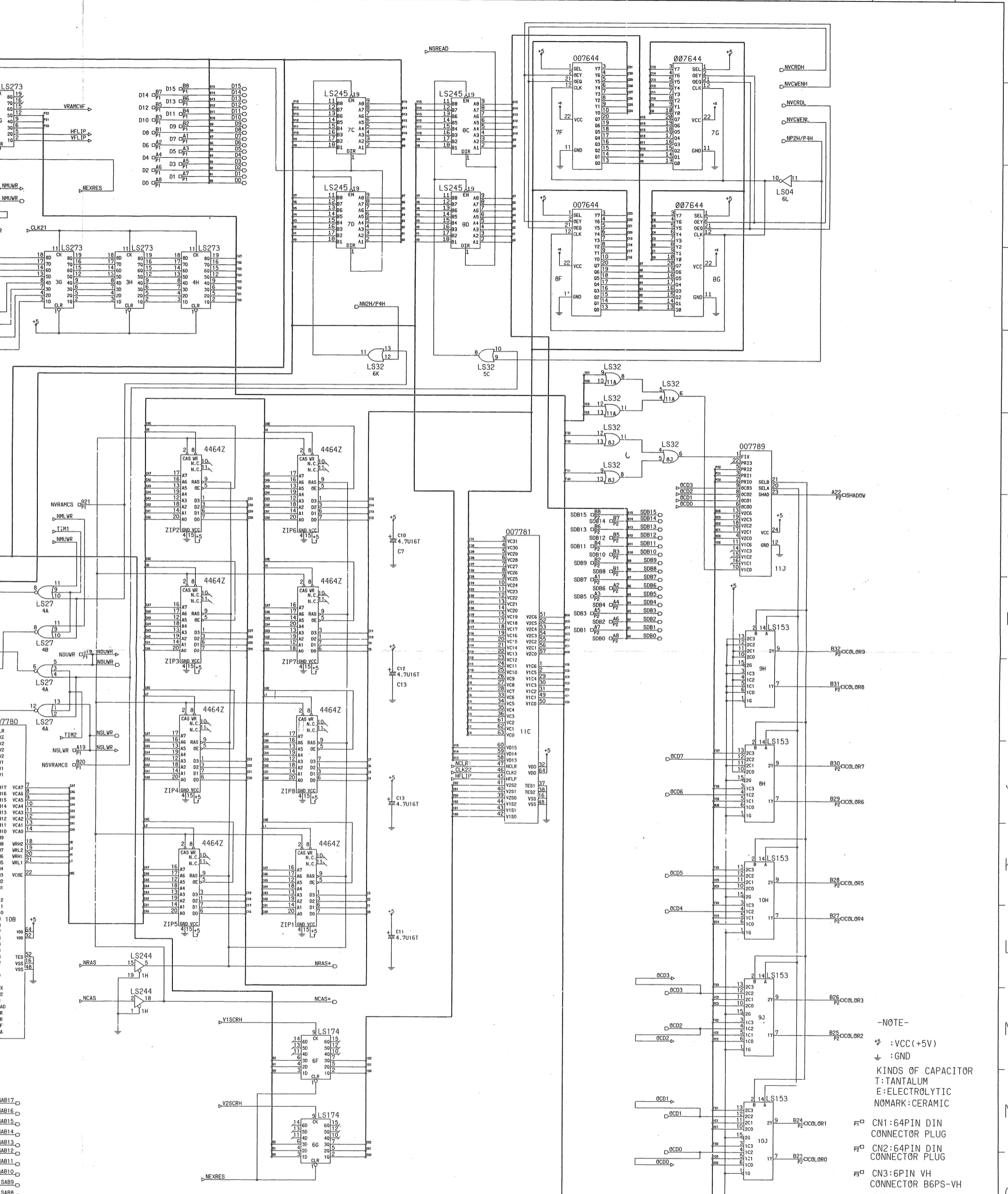


- Ⓢ P6 NHCN4P
- Ⓢ P7 NHCN4P
- Ⓢ P8 NHCN4P
- Ⓢ C6
- Ⓢ C7
- Ⓢ C8

-NOTE-

- +5 : VCC(5V)
 - +12 : VCC(12V)
 - Ⓢ : GND
- KINDS OF CAPACITOR
 T:TANTALUM
 M:MYLAR
 E:ELECTROLYTIC
 NOMARK: CERAMIC
- Ⓢ C6 : 4P NH CONNECTOR B4P-SHF-1AA
 - Ⓢ C7 : 4P NH CONNECTOR B4P-SHF-1AA
 - Ⓢ C8 : 4P NH CONNECTOR B4P-SHF-1AA
 - JAMMA : JAMMA EDGE 56PIN
- : ON PAGE SIGNAL
 ○ : OFF PAGE SIGNAL

Konami				KONAMI INDUSTRY CO.,LTD.		REG. TYPE	SCHMATIC DIAGRAM
DESIGN	DRAW	CHECK	APPROVE	RELEASE DATE	62.5.22	NAME	GX687
				SCALE		CODE NO.	100065 2/2

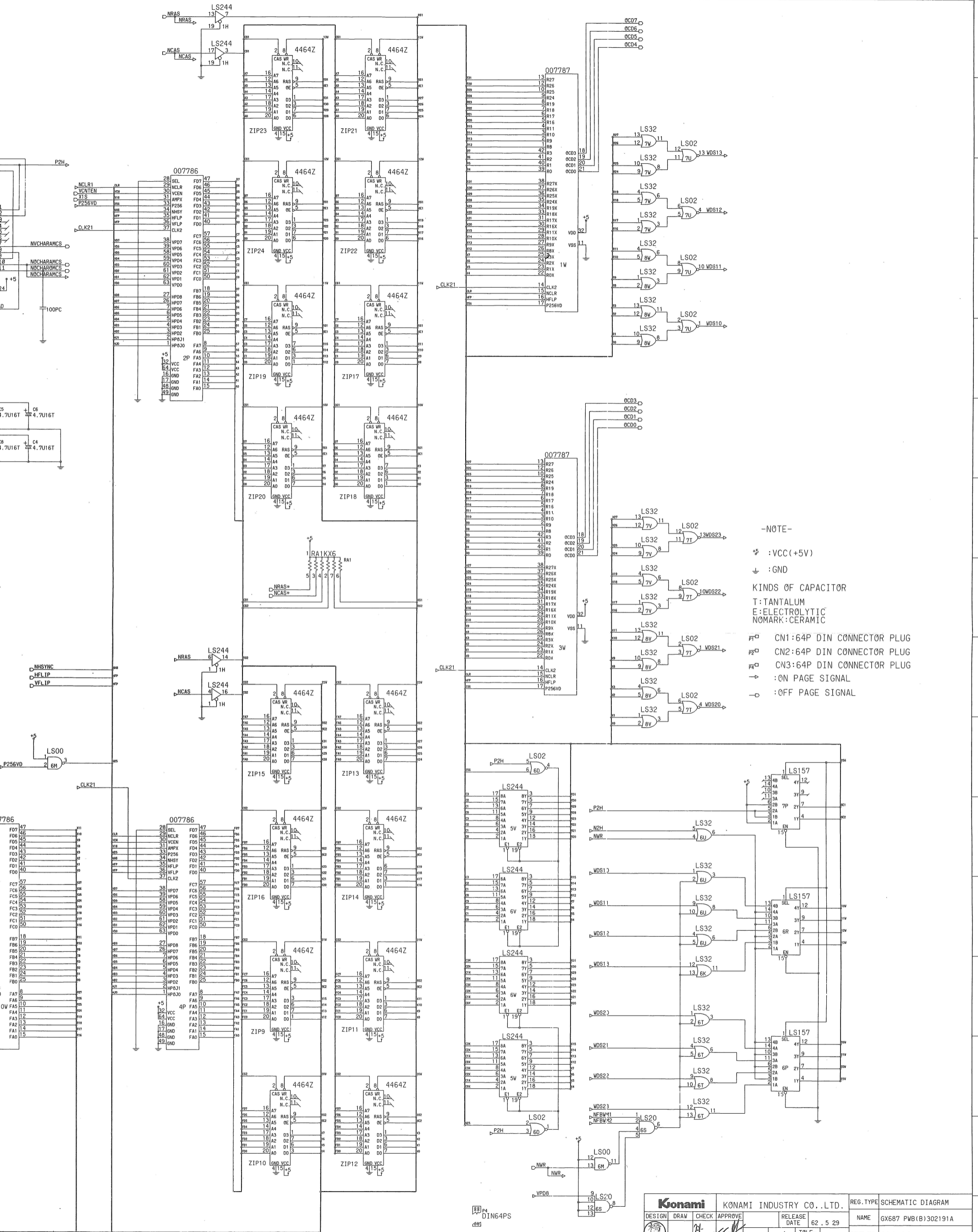


-NOTE-

- +5 : VCC(+5V)
- ⊥ : GND
- KINDS OF CAPACITOR
- T:TANTALUM
- E:ELECTROLYTIC
- NOMARK: CERAMIC
- 1: CN1:64PIN DIN CONNECTOR PLUG
- 2: CN2:64PIN DIN CONNECTOR PLUG
- 3: CN3:6PIN VH CONNECTOR B6PS-VH
- : OFF PAGE SIGNAL
- : ON PAGE SIGNAL

DARK ADVENTURE

Konami				KONAMI INDUSTRY CO., LTD.		REG. TYPE	SCHMATIC DIAGRAM
DESIGN	DRAW	CHECK	APPROVE	RELEASE DATE	62.5.29	NAME	GX687 PWB(B)302191A
			SCALE	TOLE-RANCE		CODE NO.	100066 1/2



-NOTE-

- * : VCC (+5V)
- ± : GND

KINDS OF CAPACITOR

- T: TANTALUM
- E: ELECTROLYTIC
- NO MARK: CERAMIC

- PT □ : CN1: 64P DIN CONNECTOR PLUG
- PE □ : CN2: 64P DIN CONNECTOR PLUG
- PF □ : CN3: 64P DIN CONNECTOR PLUG
- : ON PAGE SIGNAL
- : OFF PAGE SIGNAL

Konami				KONAMI INDUSTRY CO., LTD.		REG. TYPE	SCHEMATIC DIAGRAM
DESIGN	DRAW	CHECK	APPROVE	RELEASE DATE	62.5.29	NAME	GX687 PWB(B)302191A
			SCALE	TOLE-RANCE		CODE NO.	100066 2/2