

SNK Corporation of America  
17 Great Oaks Blvd.  
San Jose, CA 95119  
Phone: 408-292-4550  
Fax: 408-292-4271

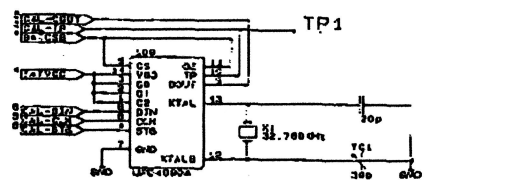
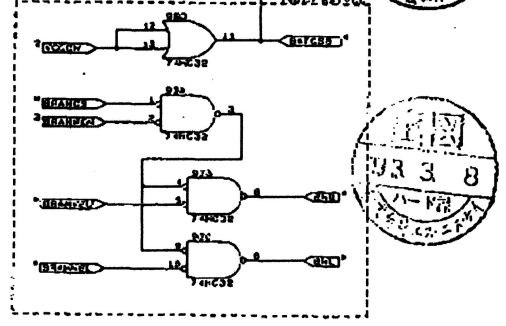
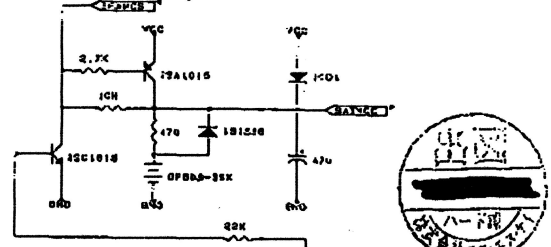
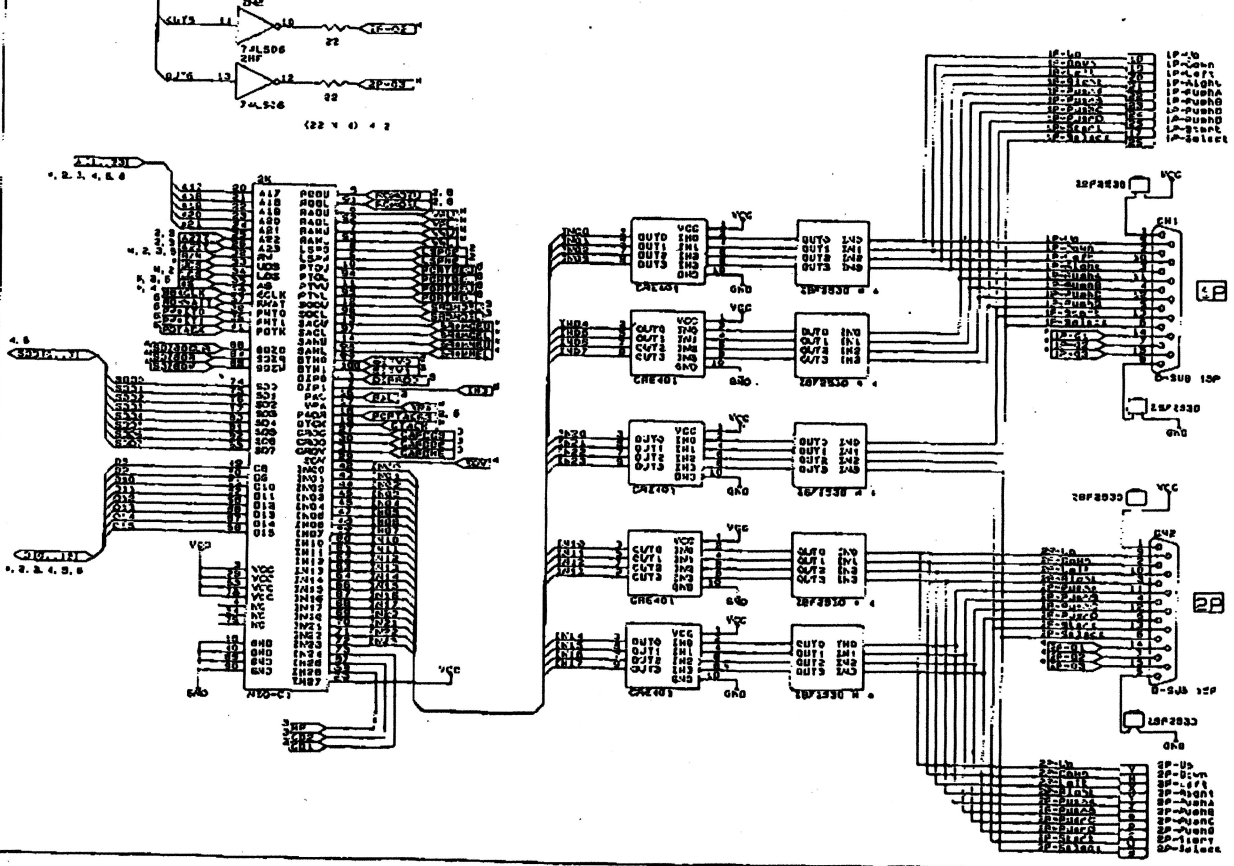
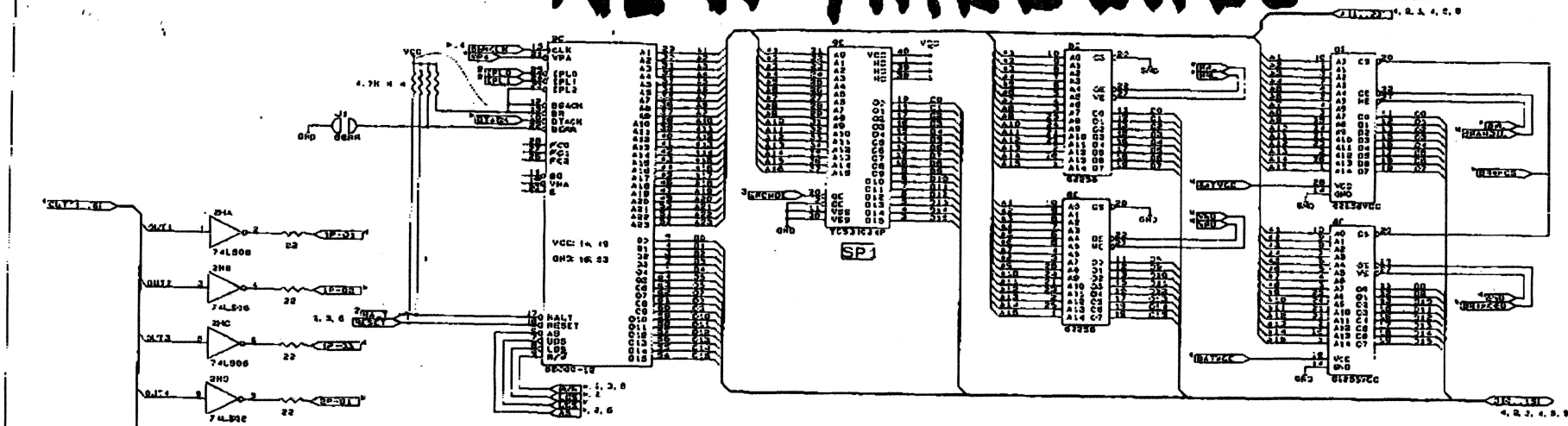
TO: Don Fax Number: 714-6320507

DATE: May 14, 99 Total page: 5 (including cover page)

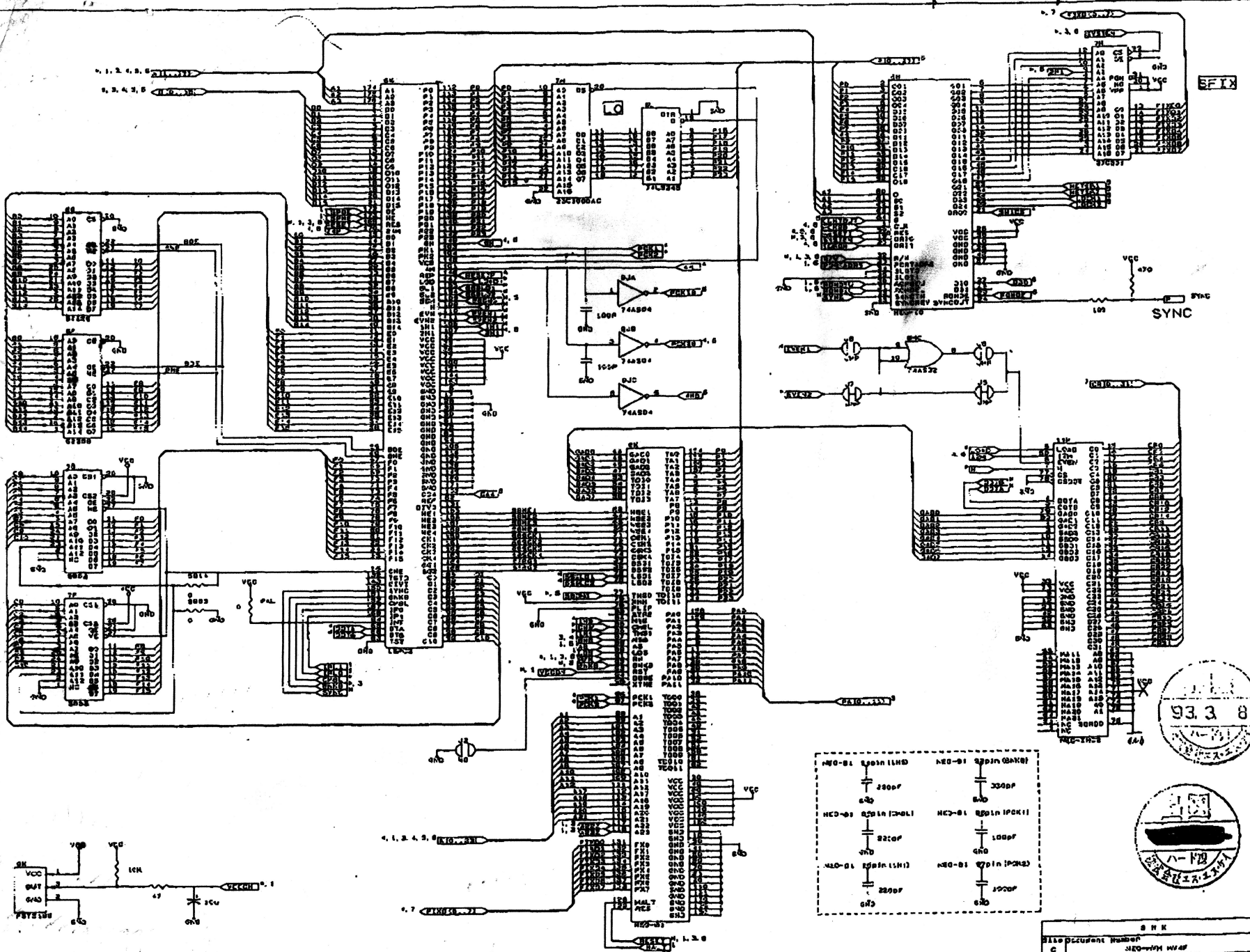
FROM: Jonny Kim CC:

RE: 4 Slot Schematic (Partic)

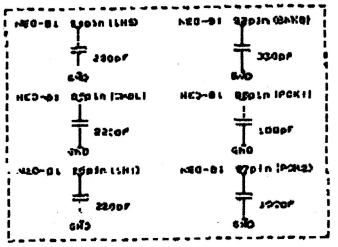
This communication may contain confidential or privileged information and may constitute inside information. It is intended only for the addressee. Any distribution reading, copying or use of this communication by anyone other than the addressee is strictly prohibited and may be unlawful. If you received this in error, please notify us immediately by telephone, and return the original communication to us at the above address by mail. You will be reimbursed for your reasonable expenses. Thank you.



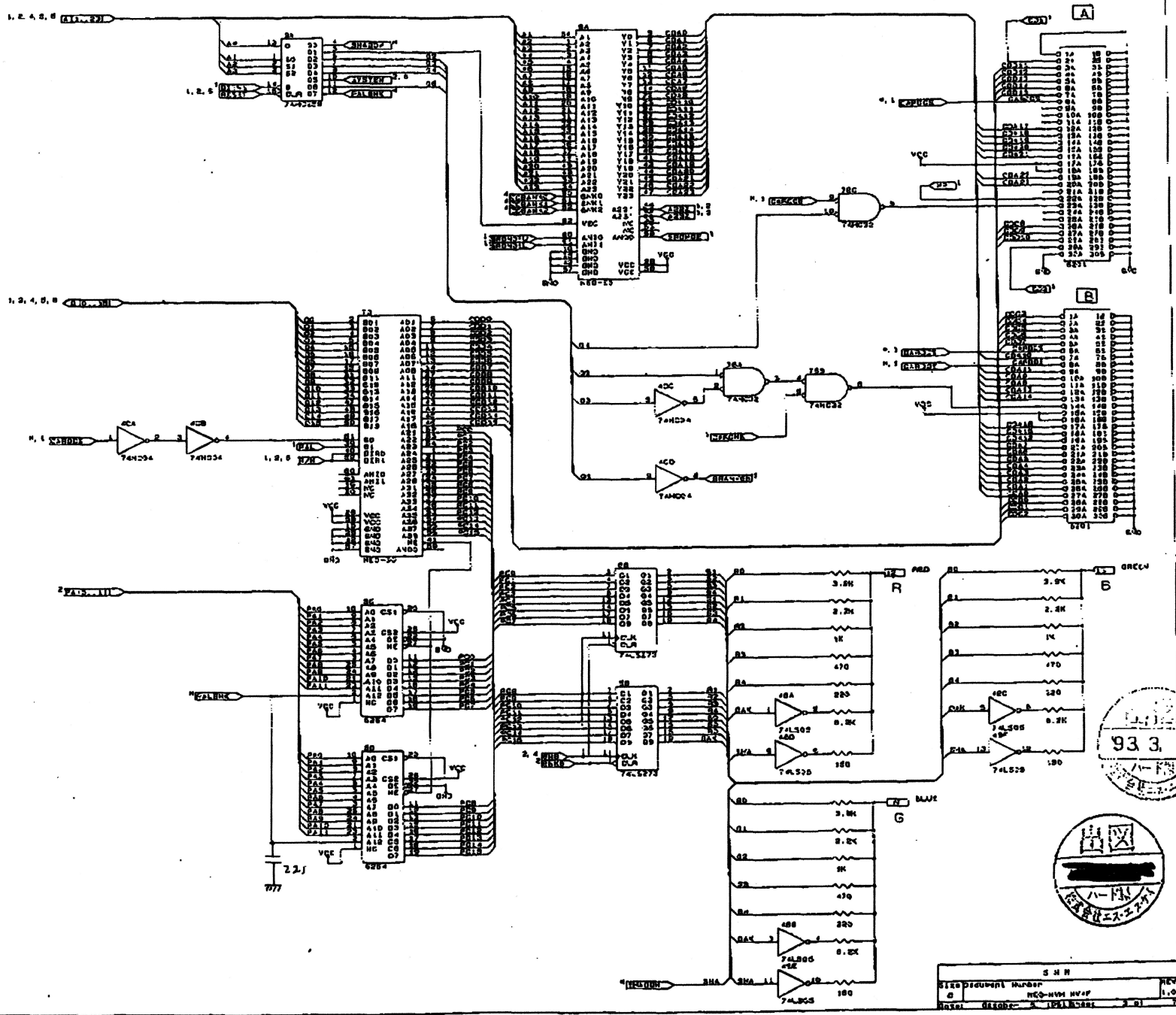
SNK  
REV 1.01  
DATE 05/14/99



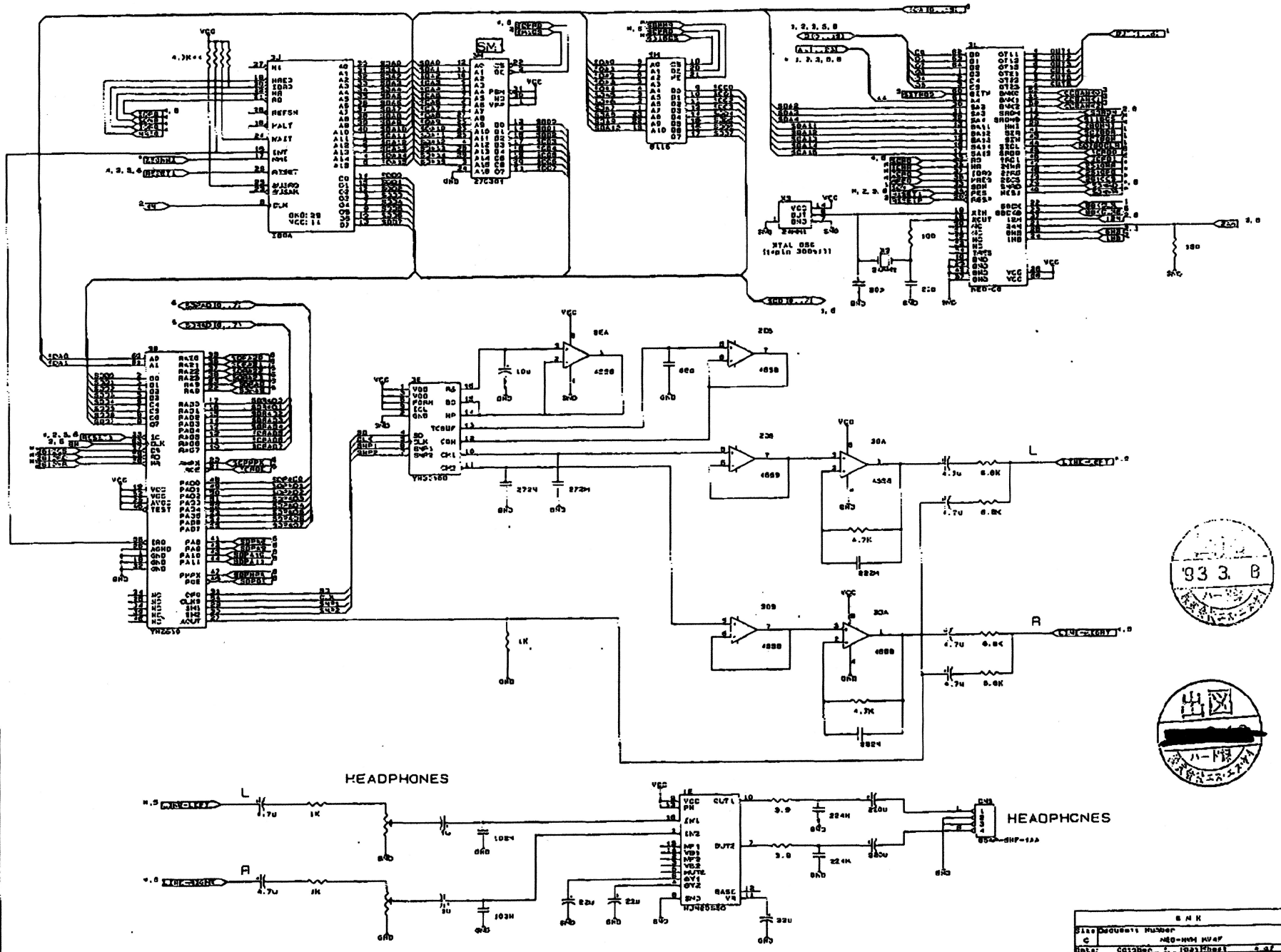
93.3 8



SNK  
 Site document Number  
 C  
 Date: January 21, 1992



S H H	
1	REV
2	REV
3	REV
4	REV
5	REV
6	REV
7	REV
8	REV
9	REV
10	REV
11	REV
12	REV
13	REV
14	REV
15	REV
16	REV
17	REV
18	REV
19	REV
20	REV
21	REV
22	REV
23	REV
24	REV
25	REV
26	REV
27	REV
28	REV
29	REV
30	REV
31	REV
32	REV
33	REV
34	REV
35	REV
36	REV
37	REV
38	REV
39	REV
40	REV
41	REV
42	REV
43	REV
44	REV
45	REV
46	REV
47	REV
48	REV
49	REV
50	REV
51	REV
52	REV
53	REV
54	REV
55	REV
56	REV
57	REV
58	REV
59	REV
60	REV
61	REV
62	REV
63	REV
64	REV
65	REV
66	REV
67	REV
68	REV
69	REV
70	REV
71	REV
72	REV
73	REV
74	REV
75	REV
76	REV
77	REV
78	REV
79	REV
80	REV
81	REV
82	REV
83	REV
84	REV
85	REV
86	REV
87	REV
88	REV
89	REV
90	REV
91	REV
92	REV
93	REV
94	REV
95	REV
96	REV
97	REV
98	REV
99	REV
100	REV



S N K			
S12 0000011	NUMBER	REV	
C	1103	H04	1.0
DATE:	03/29/98		1.0