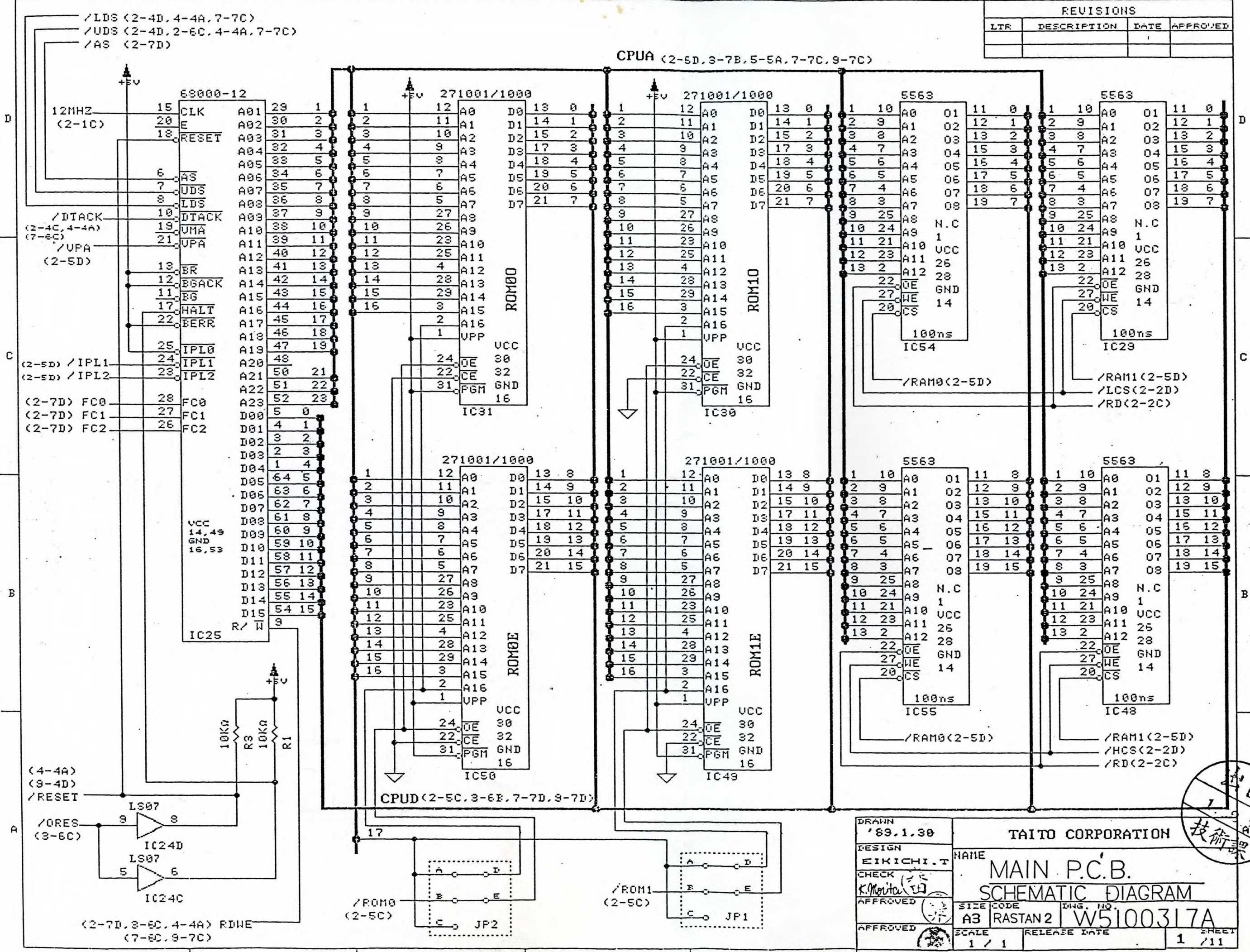


REVISIONS

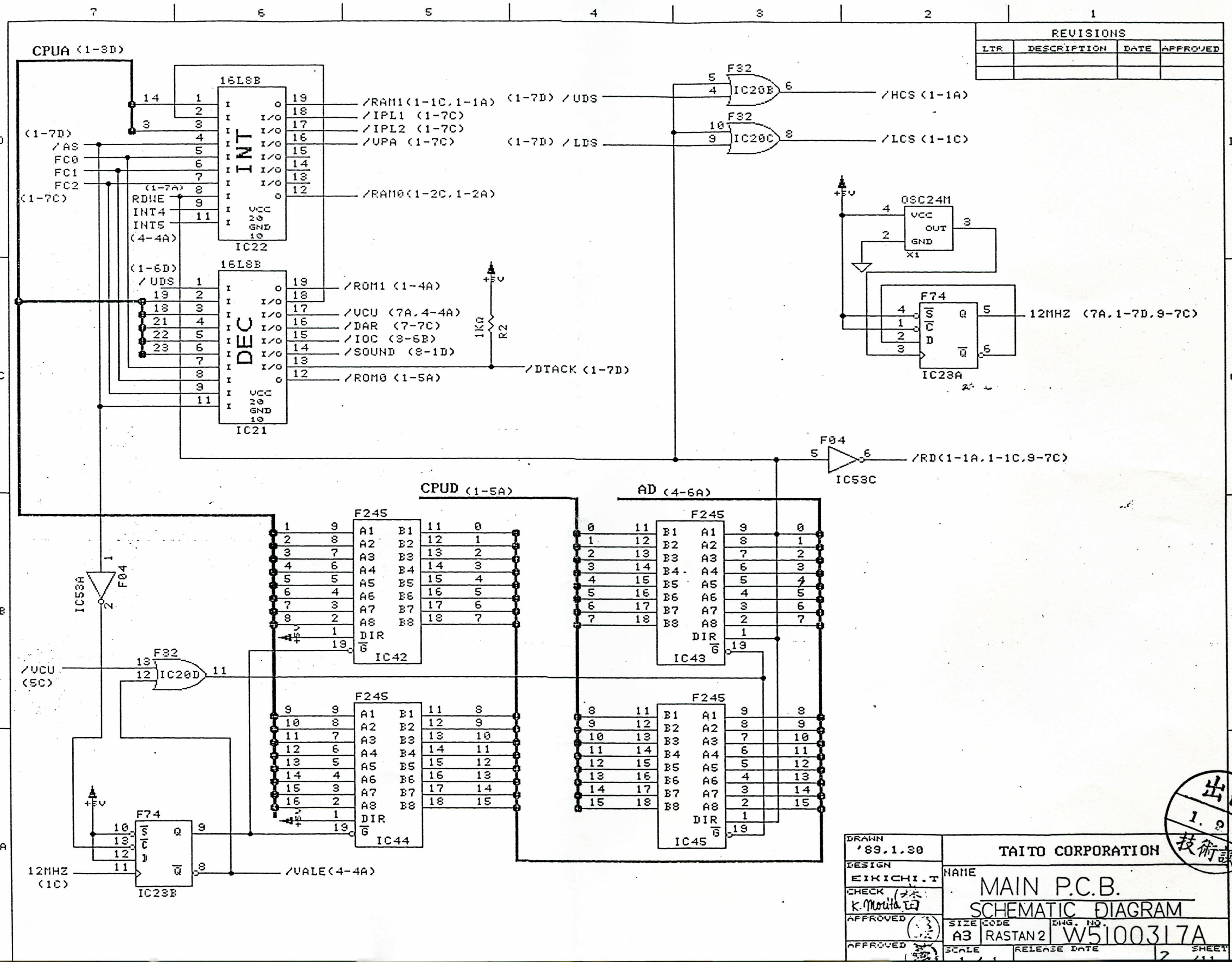
LTR	DESCRIPTION	DATE	APPROVED

CPUA (2-5D, 3-7B, 5-5A, 7-7C, 9-7C)



DRAWN '89.1.30		TAITO CORPORATION	
DESIGN EIKICHI.T	NAME	MAIN P.C.B.	
CHECK K.Morita	APPROVED	SCHEMATIC DIAGRAM	
APPROVED	SIZE CODE A3	ENG. NO. RASTAN 2	W5100317A
APPROVED	SCALE 1/1	RELEASE DATE	SHEET 1/11



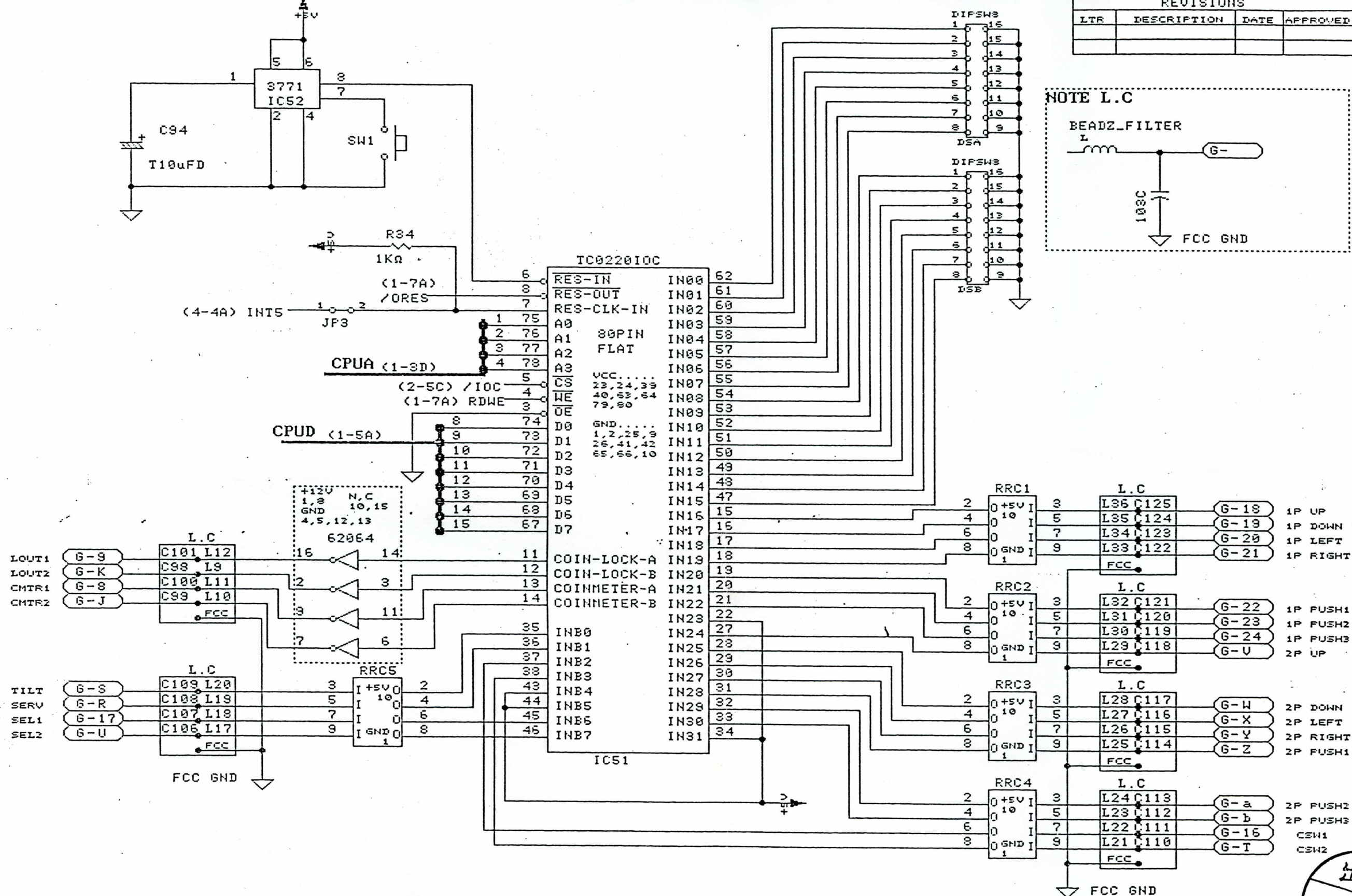
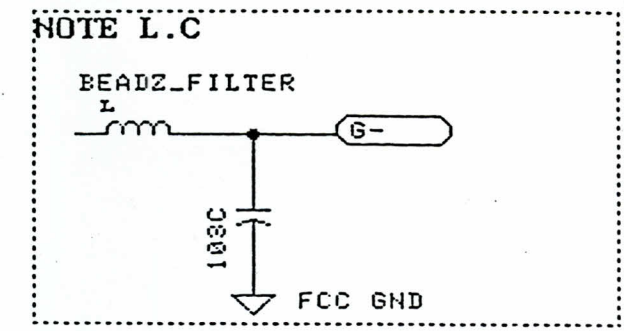


REVISIONS			
LTR	DESCRIPTION	DATE	APPROVED

DRAWN '89.1.30 DESIGN EIKICHI.T CHECK K. Morita APPROVED APPROVED	TAITO CORPORATION NAME MAIN P.C.B. SCHEMATIC DIAGRAM SIZE CODE A3 RASTAN 2 ING. NO. W5100317A SCALE RELEASE DATE SHEET 2
--	---



REVISIONS			
LTR	DESCRIPTION	DATE	APPROVED



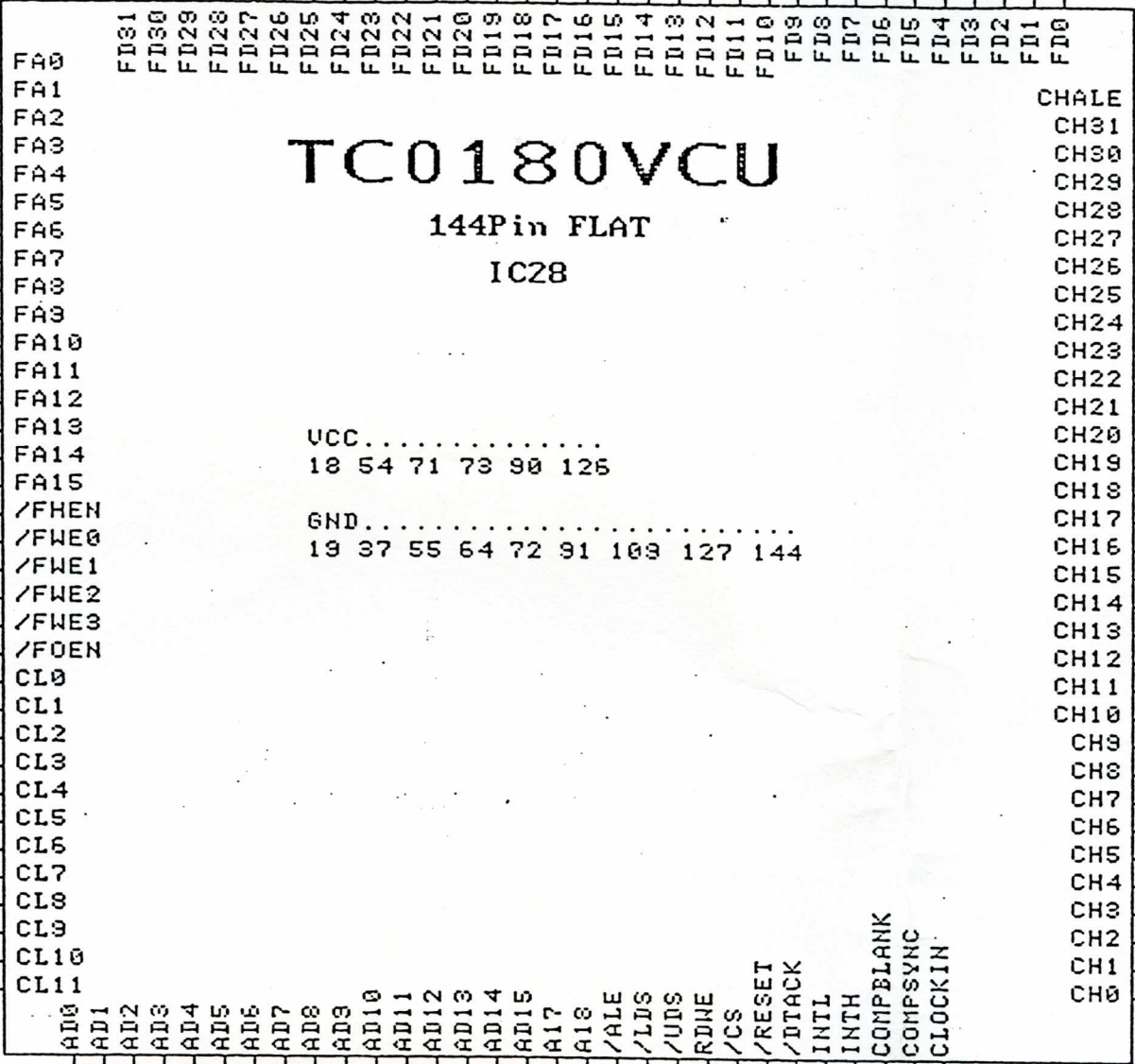
DRAWN '89.1.30 DESIGN EIKICHI.T CHECK K.Morita APPROVED APPROVED	TAITO CORPORATION NAME MAIN P.C.B. SCHEMATIC DIAGRAM SIZE CODE A3 RASTAN2 Dwg. NO. W5100317A SCALE 1/1 RELEASE DATE SHEET 3/11	出図 1.2.16 技術課
---	--	---------------------

REVISIONS			
LTR	DESCRIPTION	DATE	APPROVED

FD (5-5C)

FA (5-7D)

- 0 FA0
- 1 FA1
- 2 FA2
- 3 FA3
- 4 FA4
- 5 FA5
- 6 FA6
- 7 FA7
- 8 FA8
- 9 FA9
- 10 FA10
- 11 FA11
- 12 FA12
- 13 FA13
- 14 FA14
- 15 FA15



- 143 FD31
- 142 FD30
- 141 FD29
- 140 FD28
- 139 FD27
- 138 FD26
- 137 FD25
- 136 FD24
- 135 FD23
- 134 FD22
- 133 FD21
- 132 FD20
- 131 FD19
- 130 FD18
- 129 FD17
- 128 FD16
- 125 FD15
- 124 FD14
- 123 FD13
- 122 FD12
- 121 FD11
- 120 FD10
- 119 FD9
- 118 FD8
- 117 FD7
- 116 FD6
- 115 FD5
- 114 FD4
- 113 FD3
- 112 FD2
- 111 FD1
- 110 FD0

- 109 CHA1E
- 107 CH31
- 106 CH30
- 105 CH29
- 104 CH28
- 103 CH27
- 102 CH26
- 101 CH25
- 100 CH24
- 99 CH23
- 98 CH22
- 97 CH21
- 96 CH20
- 95 CH19
- 94 CH18
- 93 CH17
- 92 CH16
- 89 CH15
- 88 CH14
- 87 CH13
- 86 CH12
- 85 CH11
- 84 CH10
- 83 CH9
- 82 CH8
- 81 CH7
- 80 CH6
- 79 CH5
- 78 CH4
- 77 CH3
- 76 CH2
- 75 CH1
- 74 CH0

CHALE (6-4C)

CH (6-3D)

- (5-7A) /FHEN
- (5-7C) /FWE0
- (5-5C) /FWE1
- (5-3C) /FWE2
- (5-2C) /FWE3
- (5-7C) /FOEN

- 17 /FHEN
- 20 /FWE0
- 21 /FWE1
- 22 /FWE2
- 23 /FWE3
- 24 /FOEN
- 25 CL0
- 26 CL1
- 27 CL2
- 28 CL3
- 29 CL4
- 30 CL5
- 31 CL6
- 32 CL7
- 33 CL8
- 34 CL9
- 35 CL10
- 36 CL11

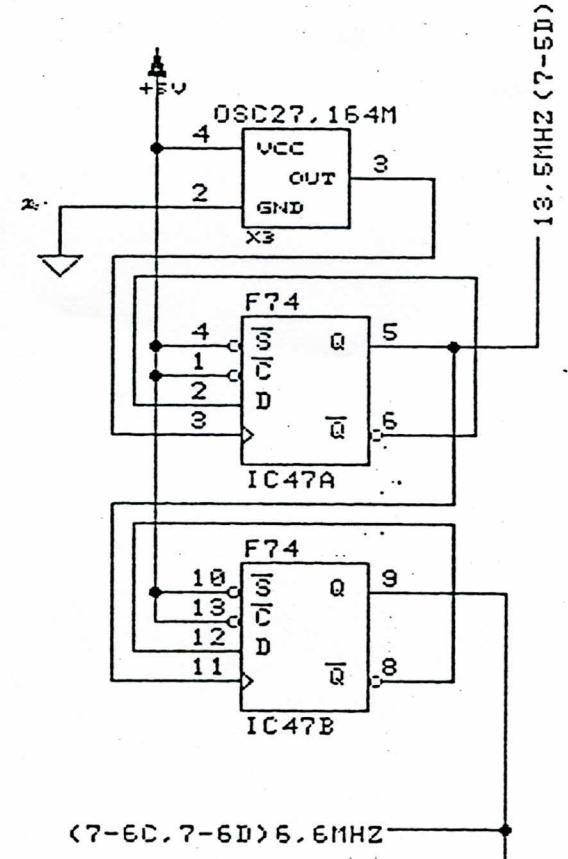
CL (7-4D)

AD (2-3C)

CPUA (1-2D)

- 38 AD0
- 39 AD1
- 40 AD2
- 41 AD3
- 42 AD4
- 43 AD5
- 44 AD6
- 45 AD7
- 46 AD8
- 47 AD9
- 48 AD10
- 49 AD11
- 50 AD12
- 51 AD13
- 52 AD14
- 53 AD15
- 56 A17
- 57 A18
- 58 /ALE
- 59 /LDS
- 60 /UDS
- 61 RDNE
- 62 /CS
- 63 /RESET
- 65 /DTACK
- 66 INTL
- 67 INTH
- 68 COMPELANK
- 69 COMPSYNC
- 70 CLOCKIN

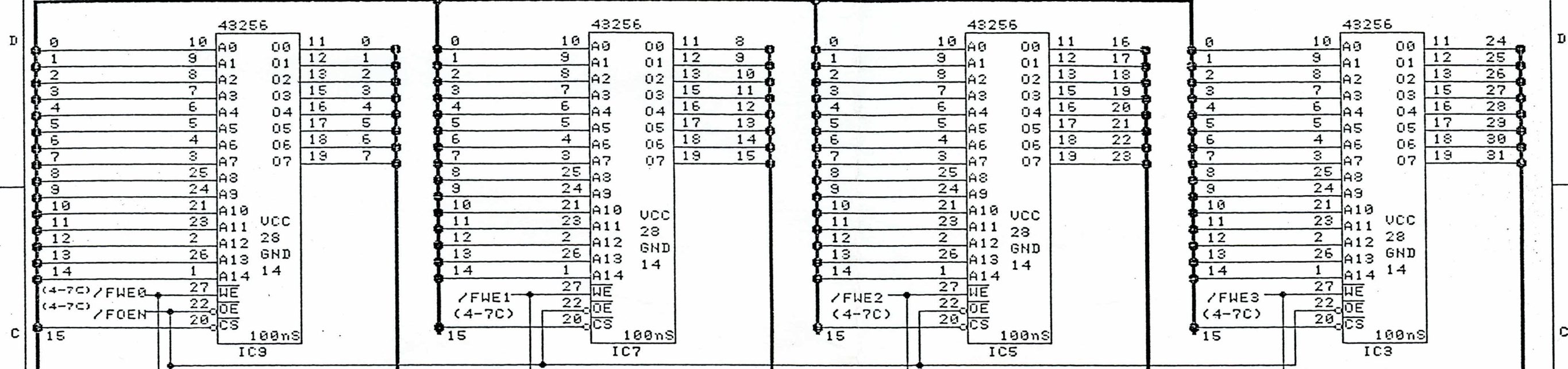
- (2-6A) /VALE
- (1-7D) /LDS
- (1-7D) /UDS
- (1-6A) RDNE
- (2-5C) /UCU
- (1-7A) /RESET
- (1-7D) /DTACK
- (2-7D) INT4
- (2-7D,3-6C) INT5
- (7-5D) BLANK
- (7-4B) SYNC



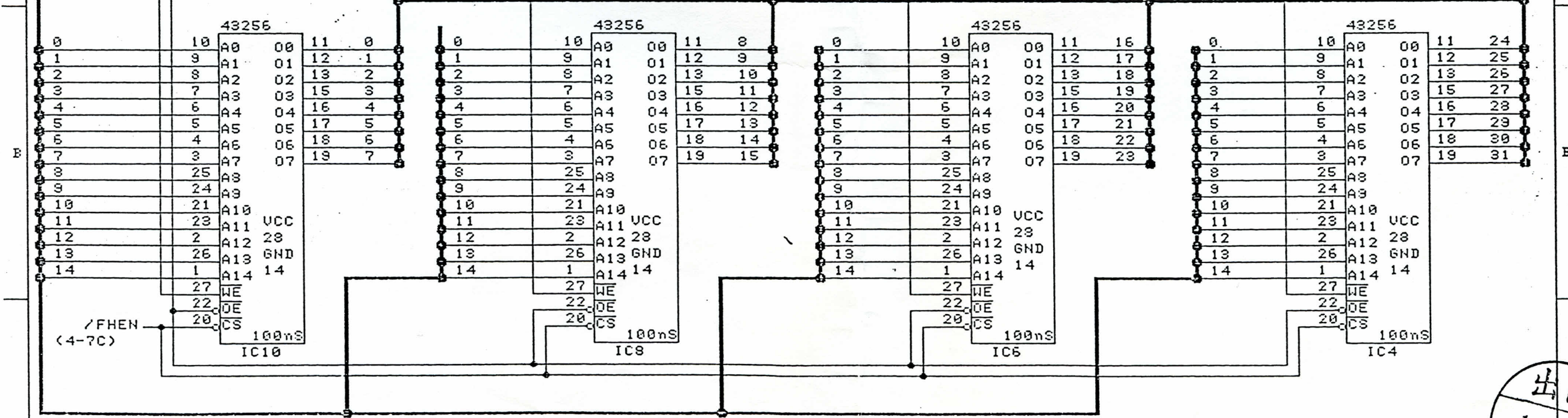
DRWN '89.1.30	TAITO CORPORATION	
DESIGN EIKICHI.T	NAME MAIN P.C.B.	出図 1 2 16 技術課
CHECK K.Morita	SCHEMATIC DIAGRAM	
APPROVED	SIZE CODE A3 RASTAN2	DRG. NO. W5100317A
APPROVED	SCALE 1 / 1	RELEASE DATE 4 / 11

REVISIONS			
LTR	DESCRIPTION	DATE	APPROVED

FA (4-7D)



FD (4-6D)



DRAWN '89.1.30	TAITO CORPORATION	
DESIGN EIKICHI.T	NAME MAIN P.C.B.	
CHECK K.Morita	SCHEMATIC DIAGRAM	
APPROVED	SIZE CODE A3 RASTAN2	ENG. NO. W5100317A
APPROVED	SCALE 1/1	RELEASE DATE 5 / 11

7

6

5

4

3

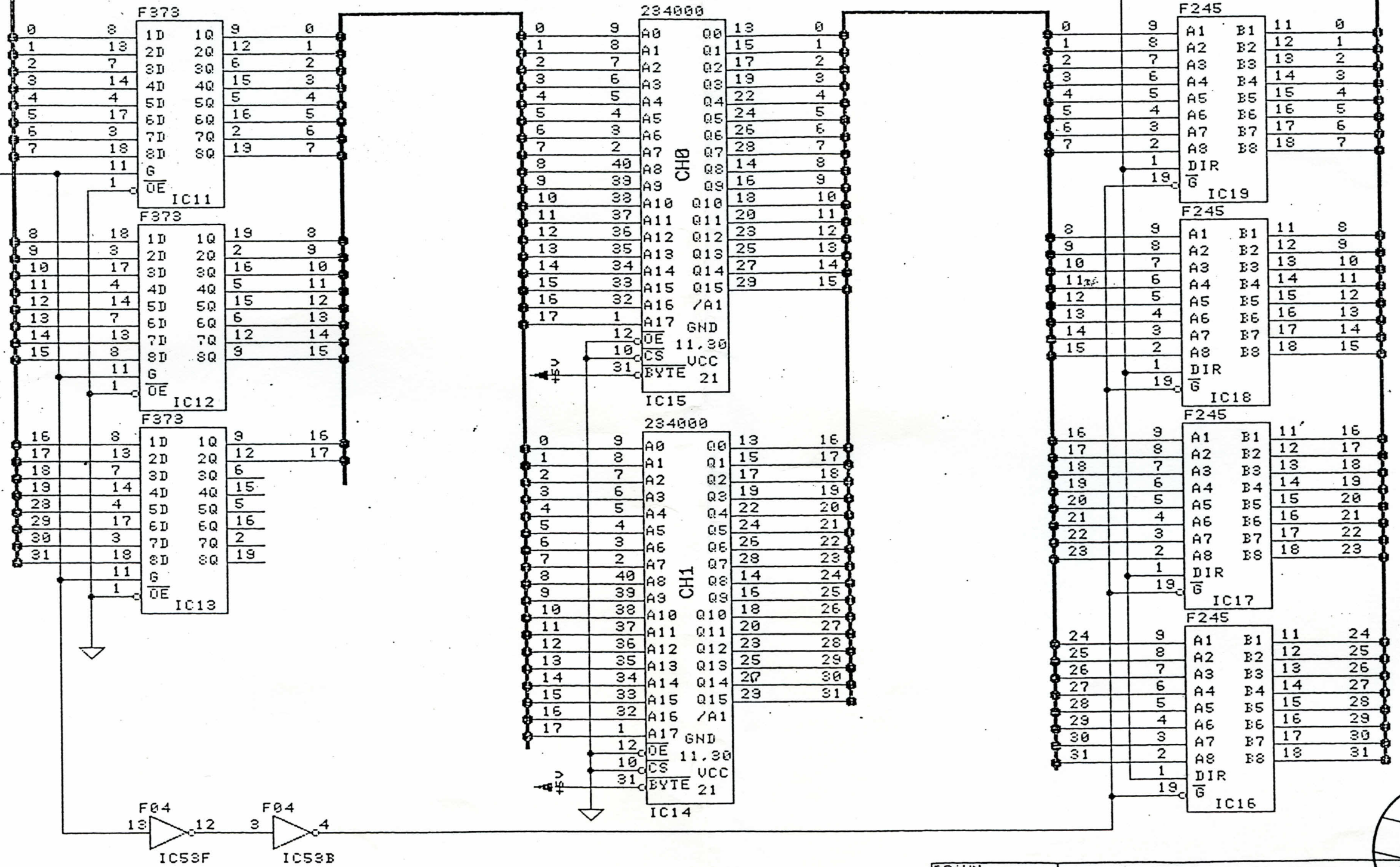
2

1

REVISIONS			
LTR	DESCRIPTION	DATE	APPROVED

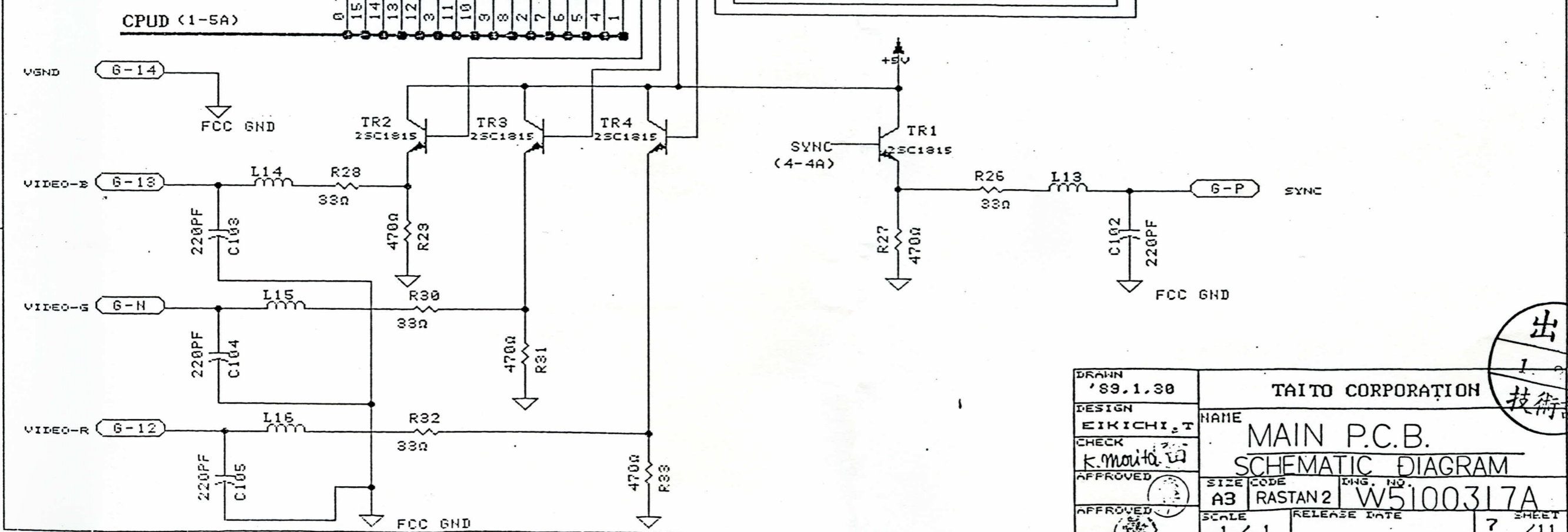
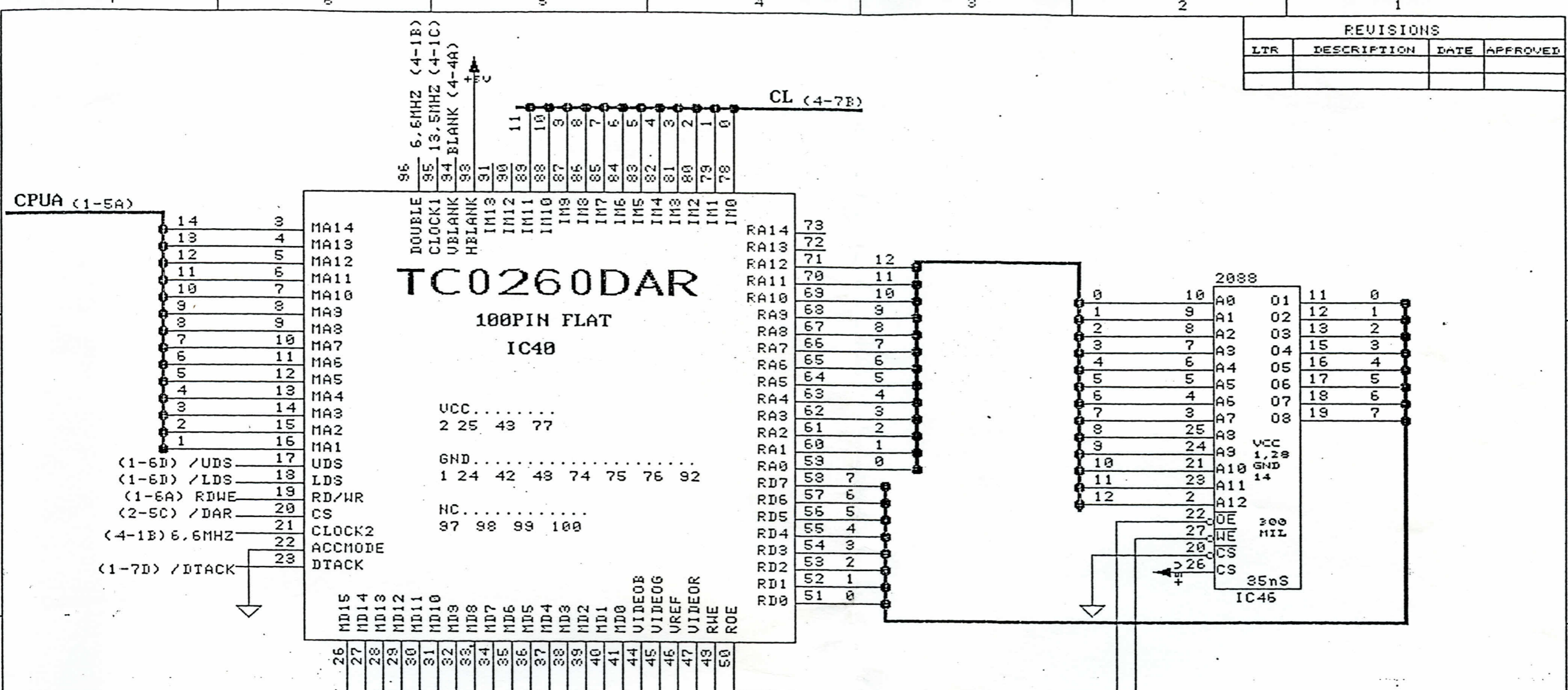
CH (4-2B)

CHALE (4-2D)



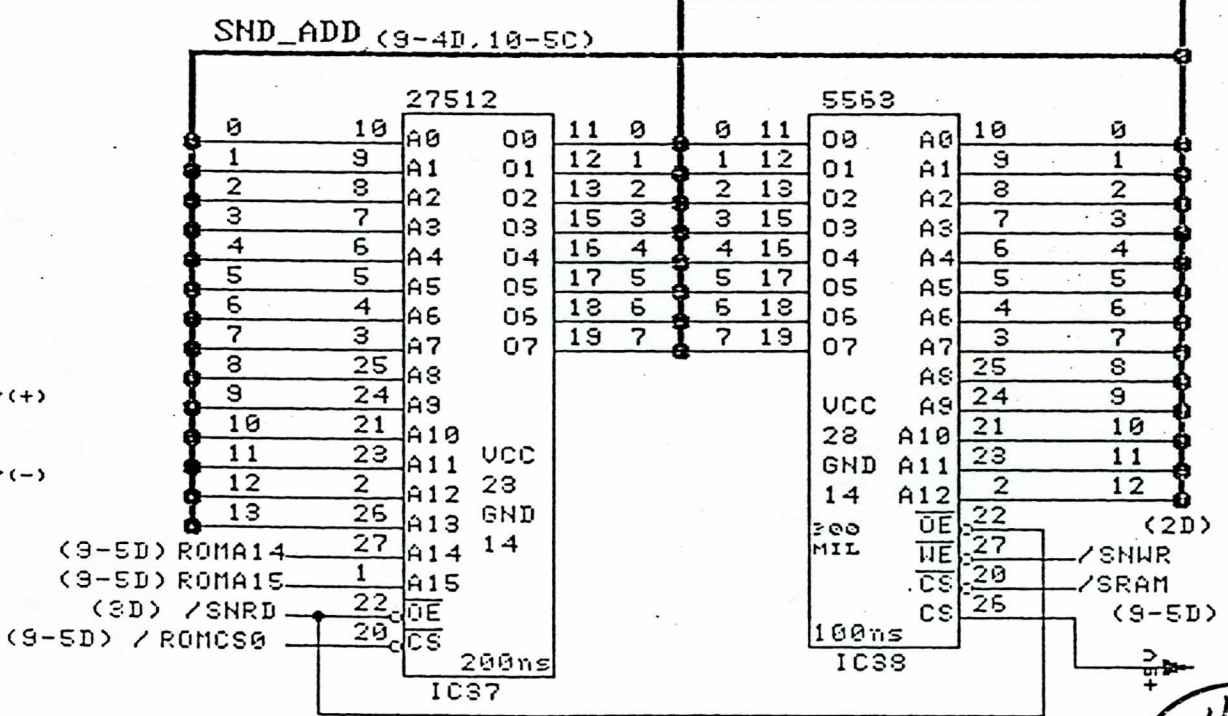
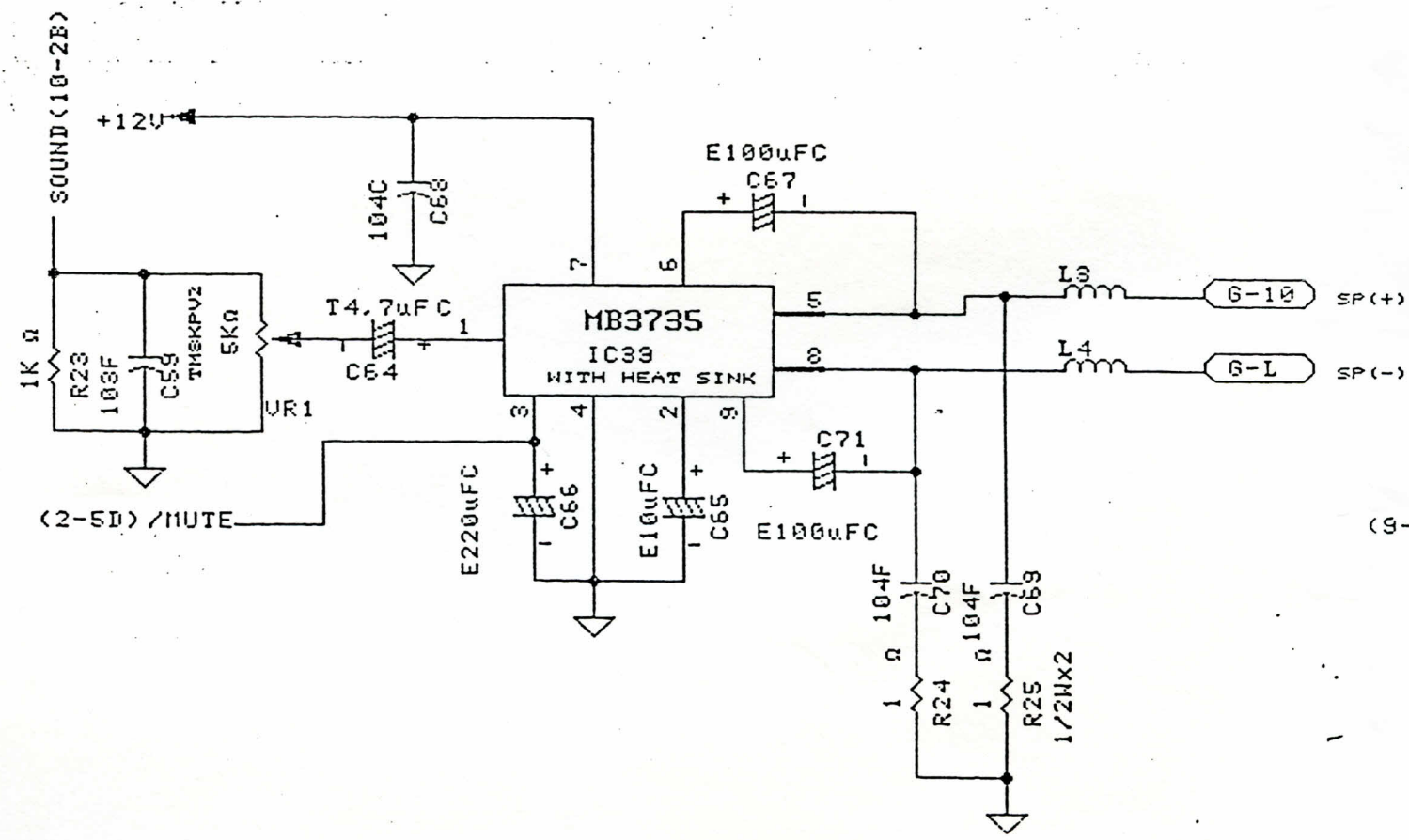
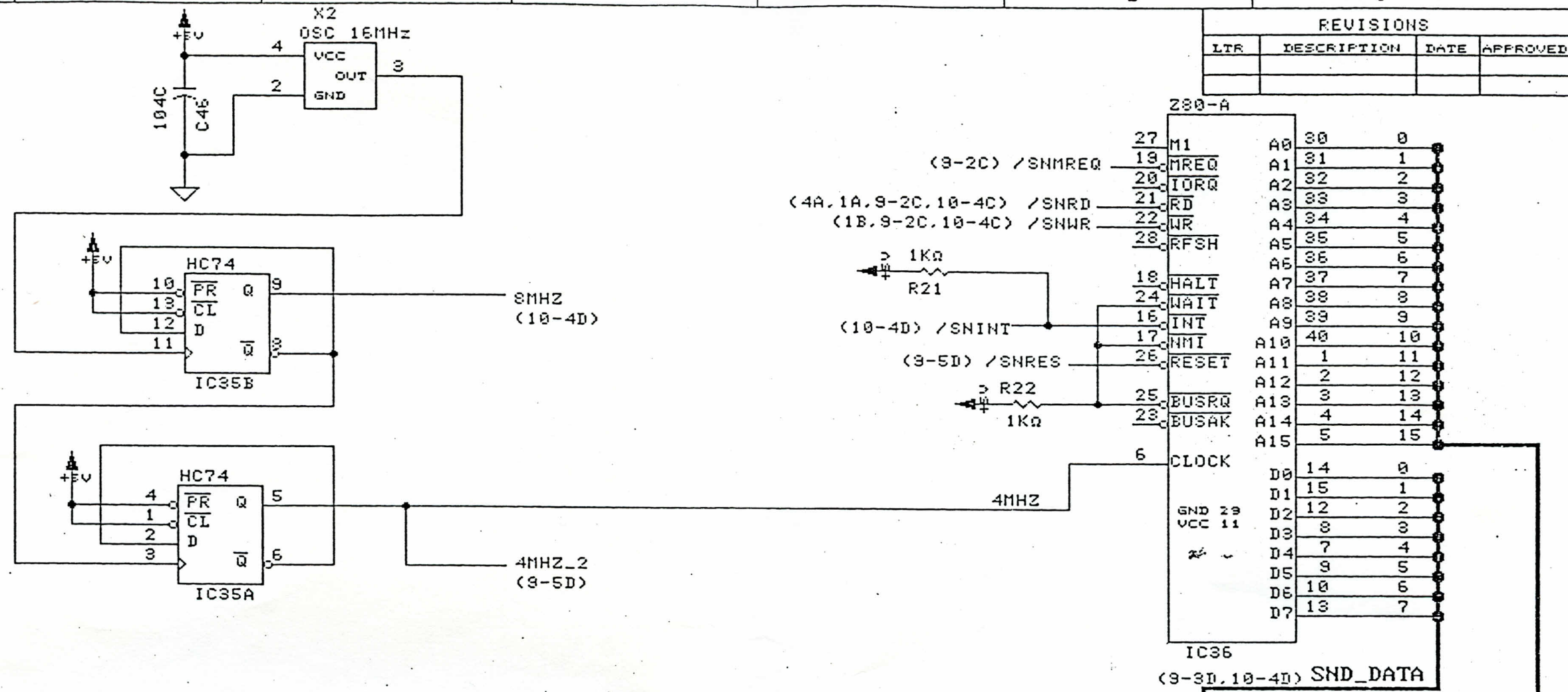
DRAWN '89.1.30	TAITO CORPORATION	
DESIGN EIKICHI.T	NAME MAIN P.C.B.	
CHECK k.mouita	SCHEMATIC DIAGRAM	
APPROVED	SIZE CODE A3 RASTAN2	DRG. NO. W5100317A
APPROVED	SCALE 1 / 1	RELEASE DATE 6 / 11

REVISIONS			
LTR	DESCRIPTION	DATE	APPROVED

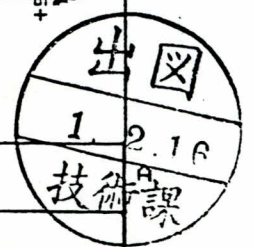


DRAWN '89.1.30	TAITO CORPORATION		
DESIGN EIKICHI, T	NAME	MAIN P.C.B.	
CHECK K. Maito	APPROVED	SCHEMATIC DIAGRAM	
APPROVED	SIZE CODE A3	ING. NO. RASTAN2	W5100317A
APPROVED	SCALE 1/1	RELEASE DATE	SHEET 7/11

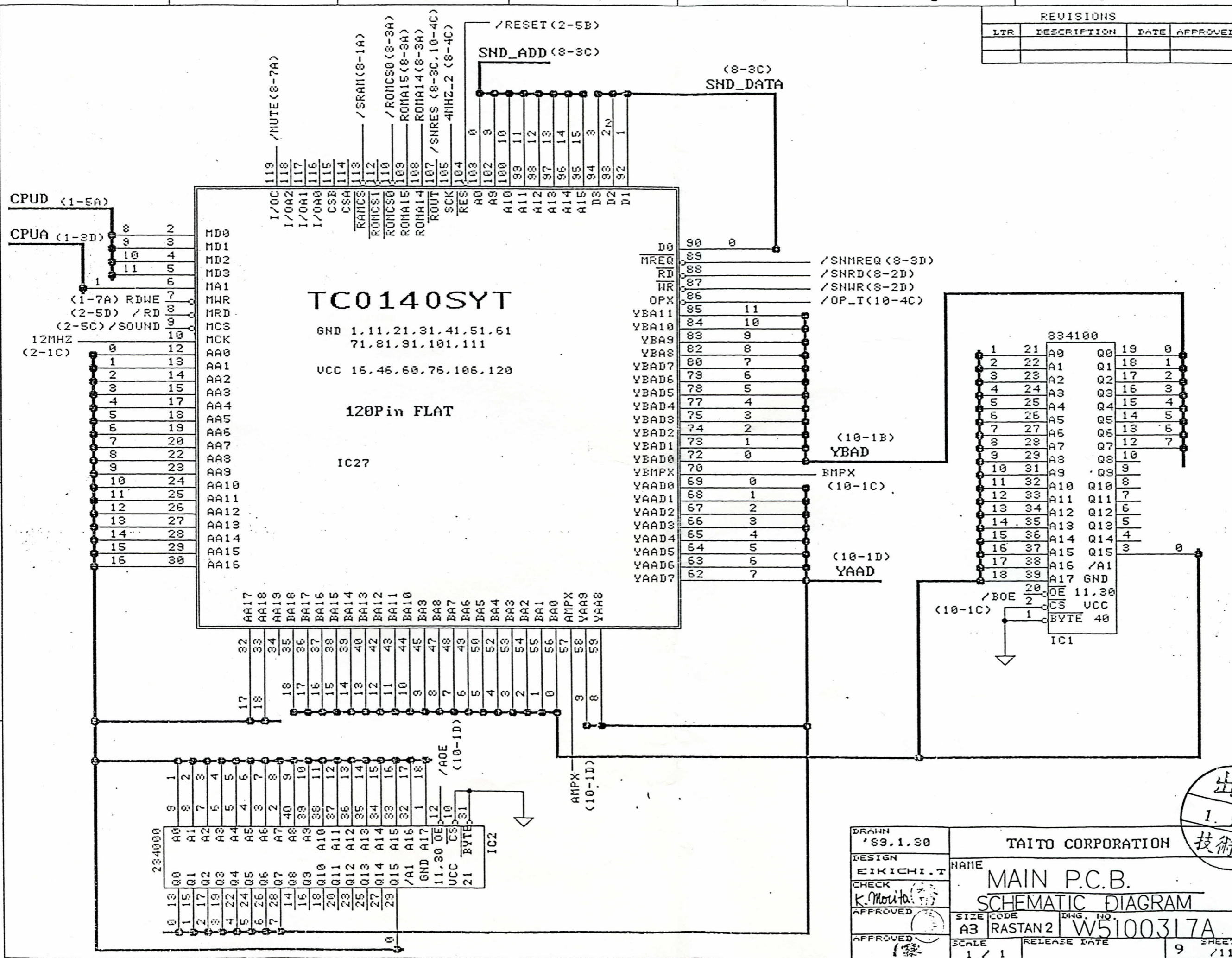
REVISIONS			
LTR	DESCRIPTION	DATE	APPROVED



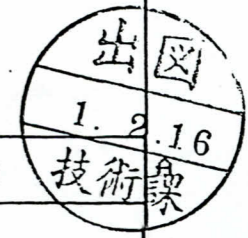
DRAWN '89.1.30	TAITO CORPORATION	
DESIGN EIKICHI.T	NAME MAIN P.C.B.	
CHECK k.monta	SCHEMATIC DIAGRAM	
APPROVED	SIZE CODE A3	ENG. NO. W5100317A
APPROVED	SCALE 1/1	RELEASE DATE 8 / 11



REVISIONS			
LTR	DESCRIPTION	DATE	APPROVED

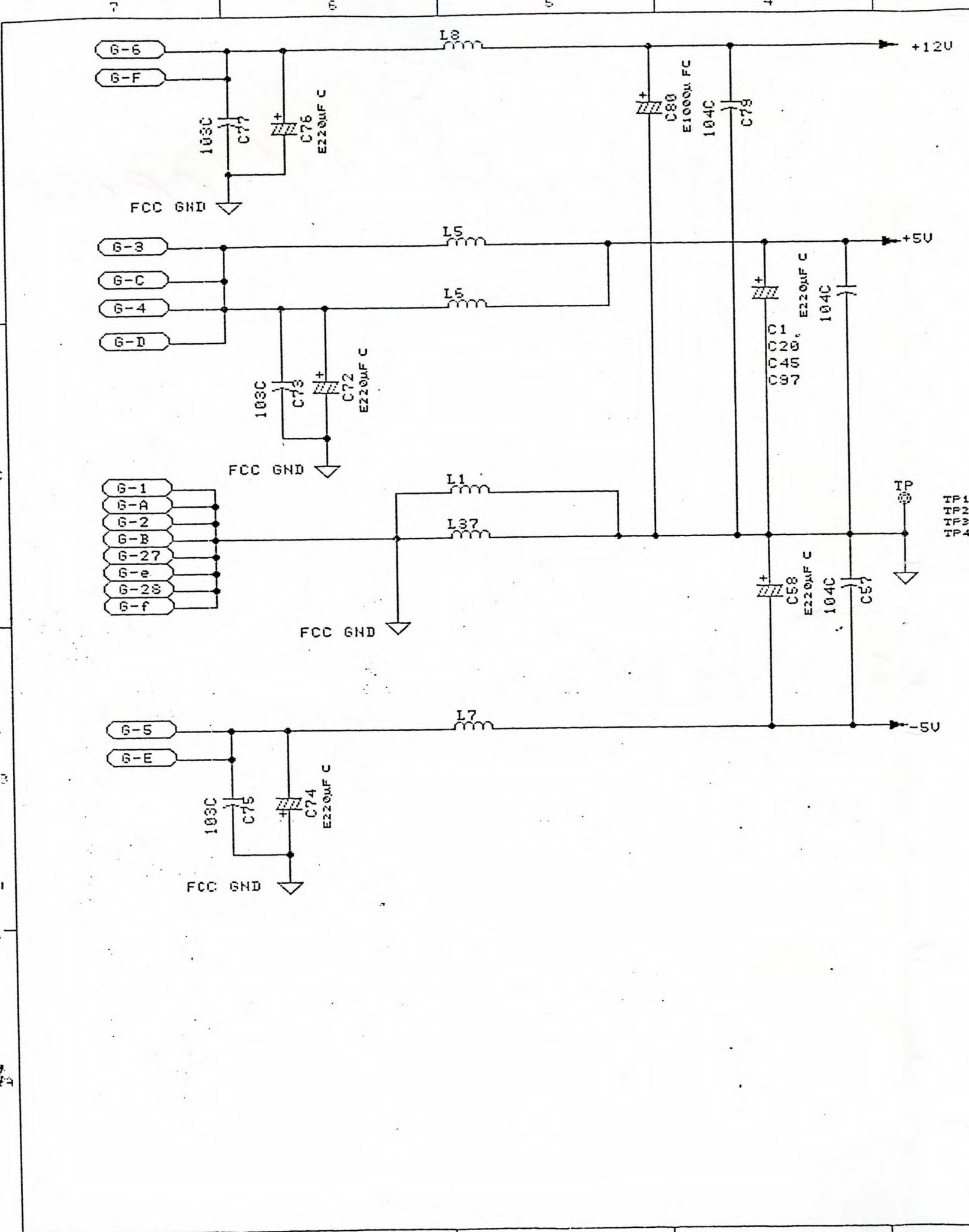


DRAWN '89.1.30	TAITO CORPORATION	
DESIGN EIKICHI.T	NAME MAIN P.C.B.	
CHECK K. Morita	SCHEMATIC DIAGRAM	
APPROVED	SIZE A3	CODE RATAN2
APPROVED	SCALE 1/1	ING. NO. W5100317A
	RELEASE DATE	SHEET 9/11



REVISIONS			
LTR	DESCRIPTION	DATE	APPROVED

G CONNECTOR			
AMPLEAF CONNECTOR 28PIN DOUBLE			
PARTS SIDE		SOLDER SIDE	
GND	1	A	GND
GND	2	B	GND
+5V	3	C	+5V
+5V	4	D	+5V
-5V	5	E	-5V
+12V	6	F	+12V
POST	7	H	POST
COIN_METER1	8	J	COIN_METER2
LOCK_OUT1	9	K	LOCK_OUT2
SP(+)	10	L	SP(-)
SOUND	11	M	SGND
RED	12	N	GREEN
BLUE	13	P	COMP
UGND	14	R	SERVICE
TEST	15	S	TILT
COIN1	16	T	COIN2
SEL1	17	U	SEL2
UP1	18	V	UP2
DOWN1	19	W	DOWN2
LEFT1	20	X	LEFT2
RIGHT1	21	Y	RIGHT2
1P SW1	22	Z	2P SW1
1P SW2	23	a	2P SW2
1P SW3	24	b	2P SW3
N.C	25	c	N.C
N.C	26	d	N.C
GND	27	e	GND
GND	28	f	GND



DRAWN '89.1.30	TAITO CORPORATION	
DESIGN EIKICHI.T	NAME MAIN P.C.B.	
CHECK K.Menta	SCHEMATIC DIAGRAM	
APPROVED (Signature)	SIZE CODE A3	ENG. NO. W5100317A
APPROVED (Signature)	SCALE 1/1	RELEASE DATE 11/11