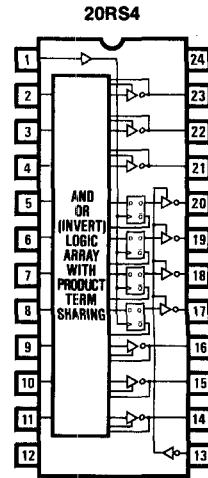
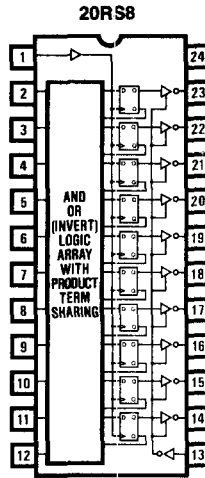
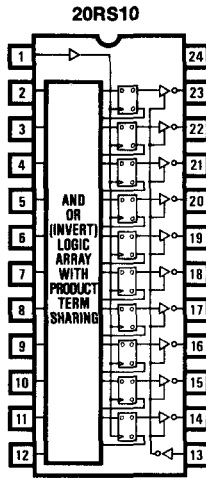
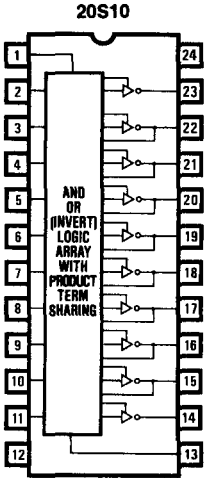
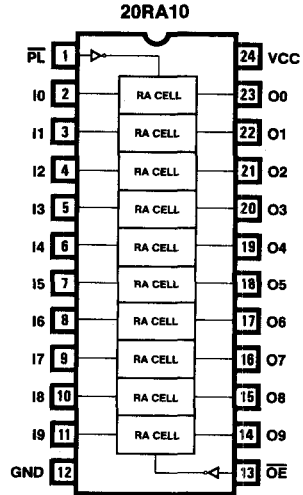
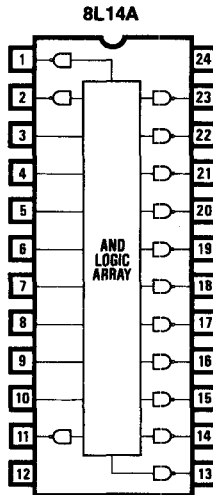
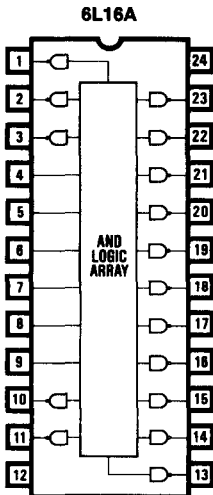


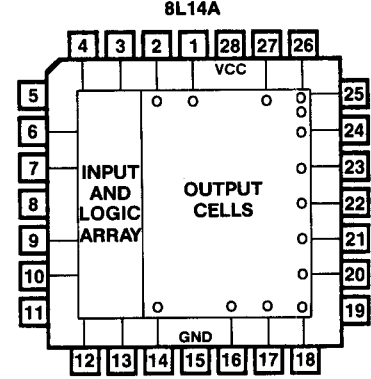
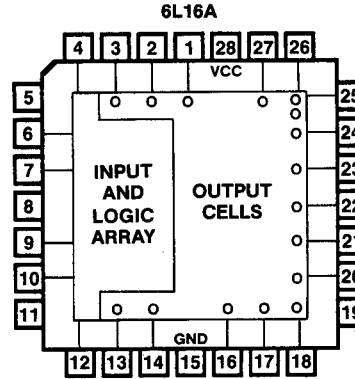
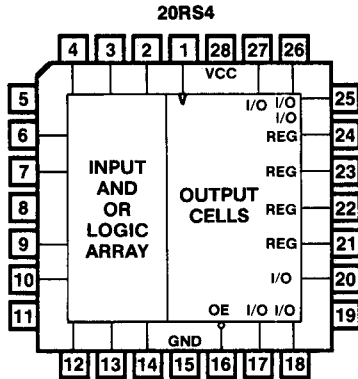
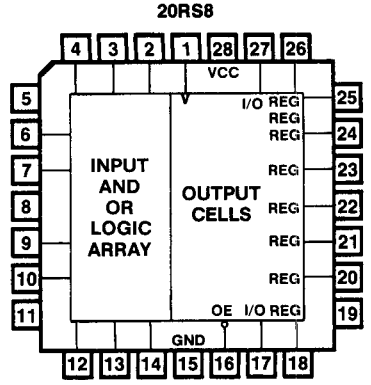
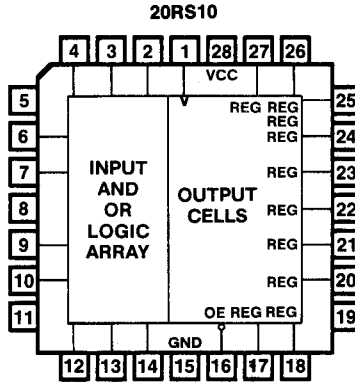
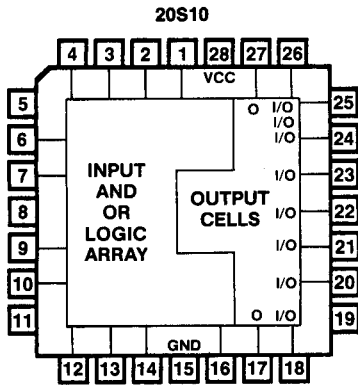
24-Pin PAL/HAL Devices



5



20-Pin PAL/HAL Devices-PLCC



Operating Conditions

SYMBOL	PARAMETER	COMMERCIAL			UNIT
		MIN	TYP	MAX	
V _{CC}	Supply voltage	4.75	5	5.25	V
T _A	Operating free-air temperature	0	25	75	°C

Electrical Characteristics Over Operating Conditions

SYMBOL	PARAMETER	TEST CONDITION	MIN TYP MAX			UNIT
V _{IL} *	Low-level input voltage			0.8		V
V _{IH} *	High-level input voltage		2			V
V _{IC}	Input clamp voltage	V _{CC} = MIN I _I = -18 mA	-0.8	-1.5		V
I _{IL}	Low-level input current	V _{CC} = MAX V _I = 0.4 V	-0.02	-0.25		mA
I _{IH}	High-level input current	V _{CC} = MAX V _I = 2.4 V			25	μA
I _I	Maximum input current	V _{CC} = MAX V _I = 5.5 V			1	mA
V _{OL}	Low-level output voltage	V _{CC} = MIN I _{OL} = 8 mA	0.3	0.5		V
V _{OH}	High-level output voltage	V _{CC} = MIN I _{OH} = -3.2 mA	2.4	2.8		V
I _{OS} **	Output short-circuit current	V _{CC} = 5 V V _O = 0 V	-30	-70	-130	mA
I _{CC}	Supply current	V _{CC} = MAX		60	90	mA

Switching Characteristics Over Operating Conditions

SYMBOL	PARAMETER	TEST CONDITIONS	COMMERCIAL			UNIT
			MIN	TYP	MAX	
t _{PD}	Input to output propagation delay	R1 = 560 Ω R2 = 1.1 KΩ		15	25	ns

PAL/HAL Devices Logic Diagram

Logic Diagram

8L14A

